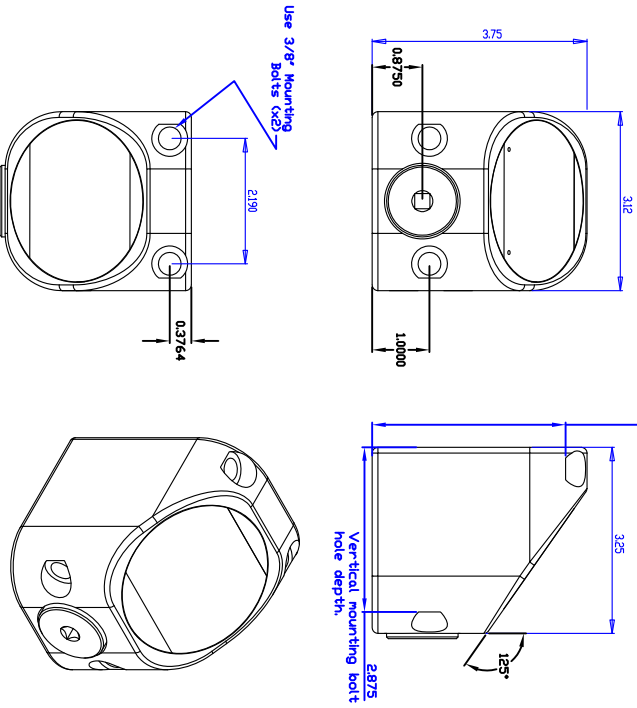


**Note 'A': Mounting Instruction**

1. Use Socket Head Cap Screw for mounting QC
2. Bolt Size:  $\frac{3}{8}$ -16 SHCS
3. Secure into threaded plate: 1" thick for aluminum plate, 0.5" minimum for steel plate.
4. For thru hole mounting in a wooden bench, bench thickness should be  $\frac{3}{4}$ " thick minimum. Use a backing washer as shown.
5. Maximum capacity is 500 lb. ft.
6. QC should never be mounted directly on a wooden bench top. Use of a sub plate of at least  $\frac{3}{8}$ " thick with a 6" x 9" foot print is recommended.
7. Disclaimer: the above instructions are intended as guidelines only. AWS bears no liability for failure of product when mounted to any bench or apparatus not supplied by AWS, Inc.



3.375  
Horizontal mounting  
bolt hole depth.

2.875  
Vertical mounting bolt  
hole depth.

Rev B, Add Mtg. Plate		Advanced Witness Series, Inc.	
REVISED BY	CRV	DESIGNED BY	QC1 Outline Dims & Mounting
DATE	500 Lb. Ft.	DATE	1-1-2009
APP'D BY		DATE	QC/CAC reference dims.dwg