



PRECISION QUALITY CONTROL INSTRUMENTS SINCE 1958



Multi-Range Torque Tester Model MTM

**18 torque ranges
up to 5,000 ft/lb**

- Available with 2, 3, or 4 precision torque transducers.
- Selectable units of: Ft-lb, IN-lb, IN-oz, KGF-m, KGF-cm, GF-cm, CN-m, N-m.
- Small footprint of the MTM allows a clean, well-organized work space.
- 200% overload protection.
- LED indicator shows active transducer.
- External transducers can be connected with cable input.
- Includes NIST traceable calibration certificate with data for each transducer.
- Replaceable shaft design. If one shaft is damaged, replace that shaft, not the entire unit.

The MTM series of torque testers provide an economical way to measure and calibrate multiple power drivers, wrenches and other torque tools.

Historically, torque transducers are purchased individually and connected to a display via a switch box or a group of cables. The MTM series integrates up to four transducers in one compact housing. The MTMDP models include an easy-to-read display for fully integrated testing for maximum productivity.



The small footprint also allows for a clean, well-organized work space. This helps eliminate the endless searching for cables, adapters, and other accessories that may be needed.

Features include independent clockwise and counter-clockwise calibration, multi-point linearization, metrology grade transducer shafts, and overload protection to 200% of full scale are standard. All of the above translate to a better product at an unbeatable price.



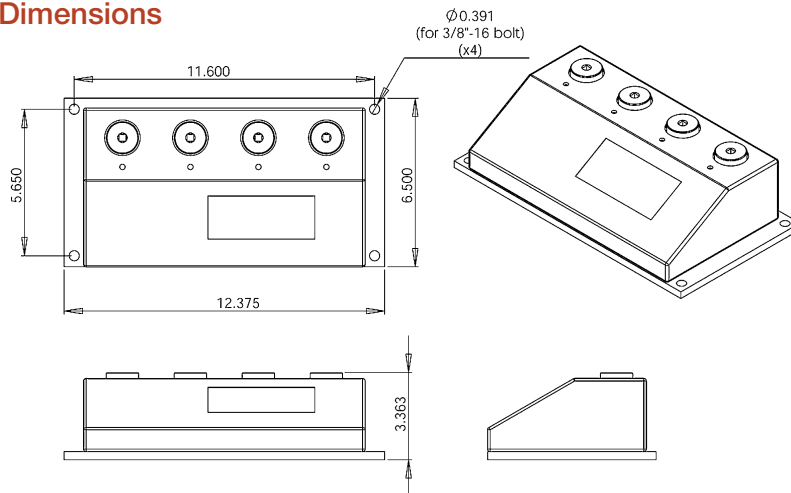
Horizontal transducer configuration available at no extra charge.



MTM Specifications And Dimensions

Calibrated Range <i>Standard</i>	10-100% Full Scale, bi-directional	Power	NiMH rechargeable batteries provide 8-10 hours continuous use
Extended Range <i>ER Option</i>	5-100% Full Scale, bi-directional	Weight	6-12 lbs, depends on number of transducers and configuration
Accuracy	±0.5% of indicated (within calibrated range)	Operating Temp	32 to 120 °F (0 to 50 °C)
Resolution	4 Active Digits	Warranty	1 Year
Overload Protection	200% Full Scale bi-directional	Calibration Certificate	Includes NIST traceable calibration certificate with data for each transducer
Operating Modes	Track, Peak, 1st Peak	Standard Accessories	Joint Simulator for 1/4" & 3/8" drives, AC adapter/Charger
Filtering	Selectable; 125Hz, 250Hz, 500Hz, 1000Hz, 1500Hz and 2000Hz	Optional Accessories	Joint Simulators for 1/2", 3/4" & 1" transducers, Extended Range "ER" option
Memory	Data storage of up to 999 readings		
Data Output	RS-232		
Display	62 x 62mm backlit LCD		
Alarm Limits	Panel Mounted LED for Visual Alarm Limits		

Dimensions



Related Products

RDF Joint Fixtures

Required for accurate torque measurement for power-driven torque controlled tools (electric, hydraulic or pneumatic).



TT-3000 Series Torque Tester
Bidirectional accuracy of ±0.5% of indicated reading.

Model	Torque Range	Drive Size	Run-Down Fixture
ITI0-10	1 – 10 Oz-in	1/4"	Included
ITI0-50	5 – 50 Oz-in	1/4"	Included
ITI0-100	10 – 100 Oz-in	1/4"	Included
ITI-10	1 – 10 Lb-in	1/4"	Included
ITI-25	2.5 – 25 Lb-in	1/4"	Included
ITI-50	5 – 50 Lb-in	1/4"	Included
ITI-100	10 – 100 Lb-in	1/4"	Included
ITI-250	25 – 250 Lb-in	3/8"	Included
ITI-500	50 – 500 Lb-in	3/8"	Included
ITF-100	10 – 100 Lb-ft	1/2"	Optional
ITF-150	15 – 150 Lb-ft	1/2"	Optional
ITF-250	25 – 250 Lb-ft	1/2"	Optional
ITF-750	75 – 750 Lb-ft	3/4"	Optional
ITF-1000*	100 – 1000 Lb-ft	1"	Optional
ITF-2000*	200 – 2000 Lb-ft	1"	Optional
ITF-3000*	300 – 3000 Lb-ft	1-1/2"	Optional
ITF-5000*	500 – 5000 Lb-ft	1-1/2"	Optional

Range shown using default units. Other available units are: Oz-in, Lb-in, Lb-ft, N-m, N-cm, Kg-f-m, Kg-f-cm, Gf-cm. Custom ranges available. *Ranges over 750 Lb-ft are supplied as cable connected external sensors. Contact us for more information.



For additional information or to place an order CALL TOLL FREE 1-800-645-4330

Electromatic Equipment Co., Inc.
600 Oakland Ave.
Cedarhurst, N Y 11516 —USA

Tel: (800) 645-4330 (USA & Canada)
Tel: (516) 295-4300
Fax: (516) 295-4399

Email: info@checkline.com
Website: www.checkline.com

Check•Line is a registered trademark of Electromatic Equipment Company Inc.