

# ELAN Surveillance Cameras

---

## Quick Start Installation Sheet:

**1 page - 1/0**

Format: 11" wide x 8.5" high

**05/11/2018**

Questions? Juergen 707.778.5826

**P/N 10021927 REV. A0**

---

### **PRINTER'S INSTRUCTIONS:**

INK: 1-color - Black

NO. of PAGES: 1

MATERIAL: 80# text - gloss

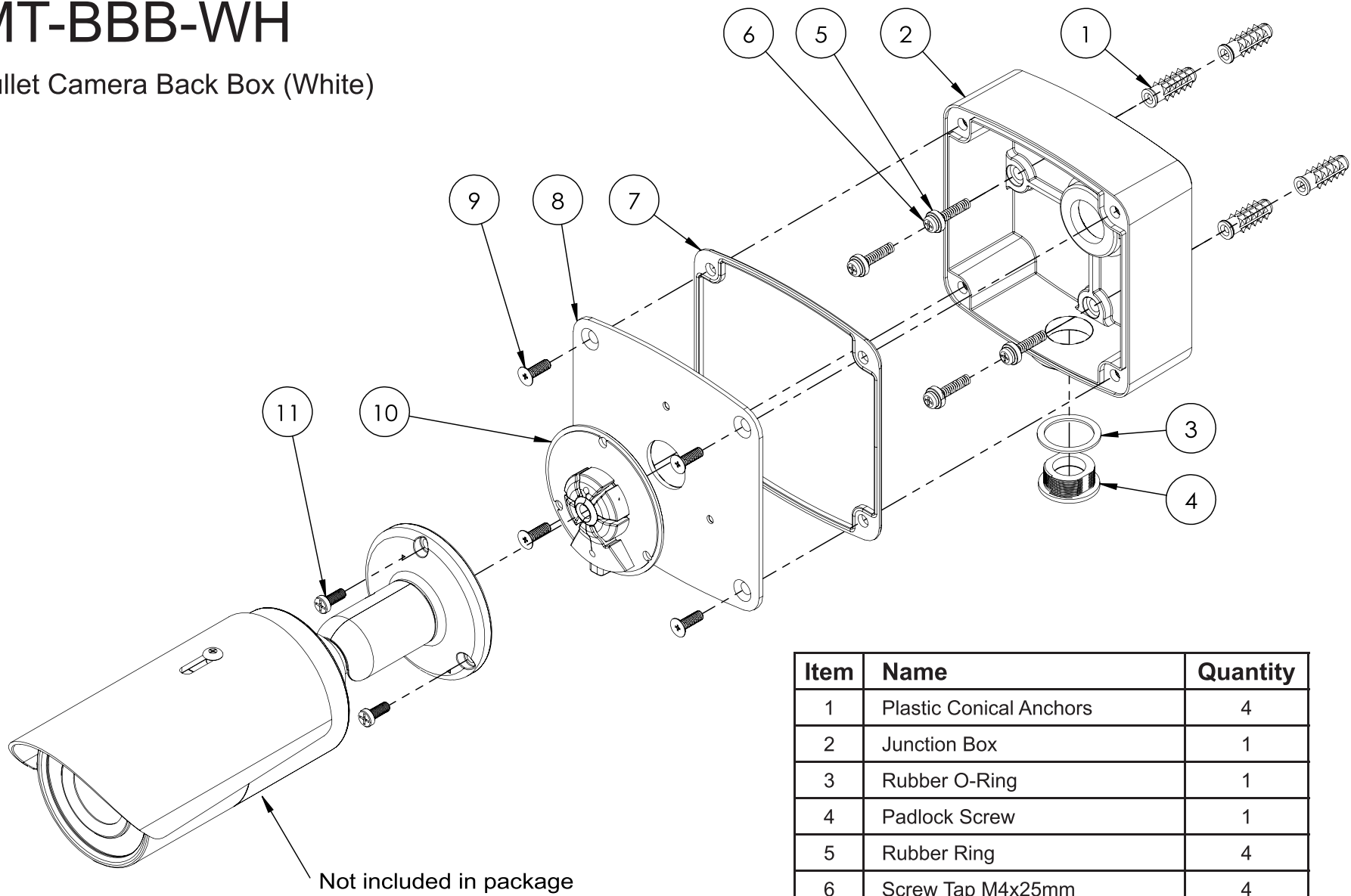
SCALE: 1:1

Must be RoHS Compliant

**USE ARTWORK ON PAGE 2 of PDF**

# MT-BBB-WH

Bullet Camera Back Box (White)



Item	Name	Quantity
1	Plastic Conical Anchors	4
2	Junction Box	1
3	Rubber O-Ring	1
4	Padlock Screw	1
5	Rubber Ring	4
6	Screw Tap M4x25mm	4
7	Box Gasket	1
8	Adapter Plate	1
9	Screw Mac M5x12mm	4
10	Cable Casket	1
11	Screw Mac M4x10mm	3

