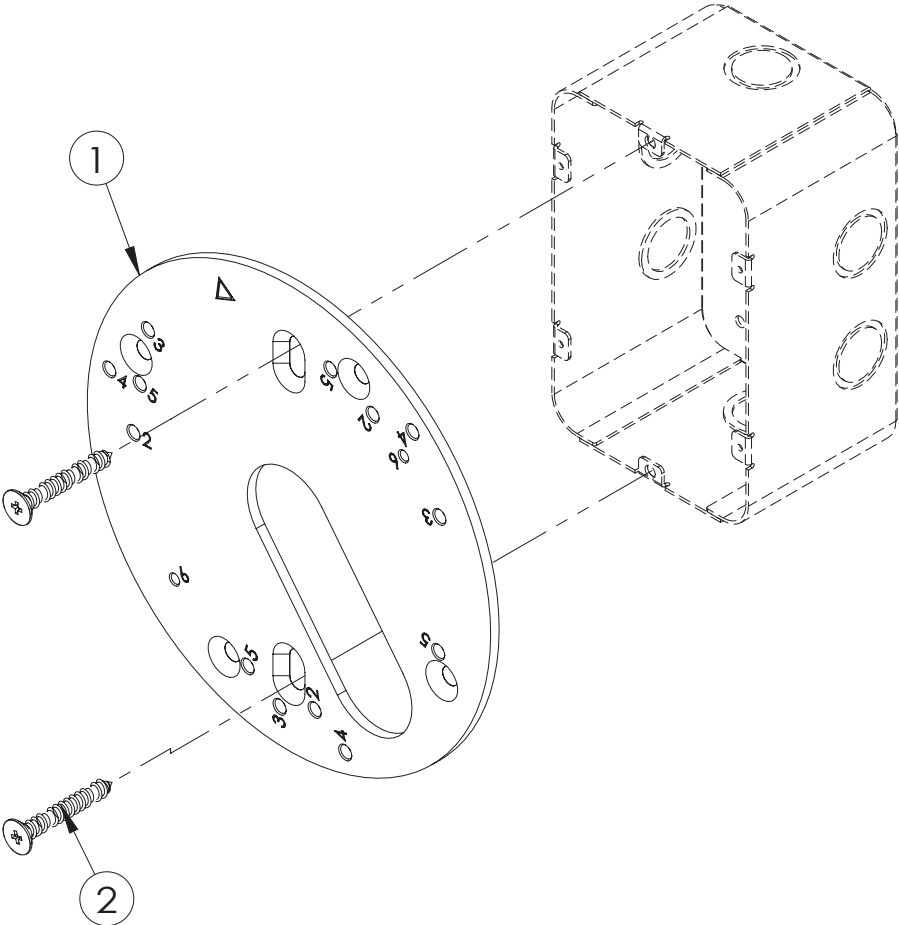
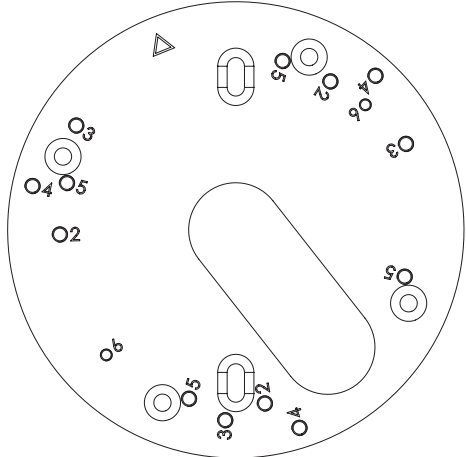


MT-DSAP-WH / MT-DSAP-BK

Dome Camera Wall Mount



Hole Position Diagram



Supported Models

Size (mm)	Quantity	Hole	Camera Model
4mmx50mm	3	3	ODF
		4	ODV/ODA
4mmx110mm	4	5	OTF/OTA

Item	Name	Quantity
1	Adapter Plate	1
2	Fixed Head Screw M4x25L	2

