

# CN-15MP & CN-20MP

## Contractor Series MiniPorts



**CN-15MP**  
(shown without Phoenix-type connectors and security cover)



**CN-20MP**  
(shown with Phoenix-type connectors and security cover)

### Features

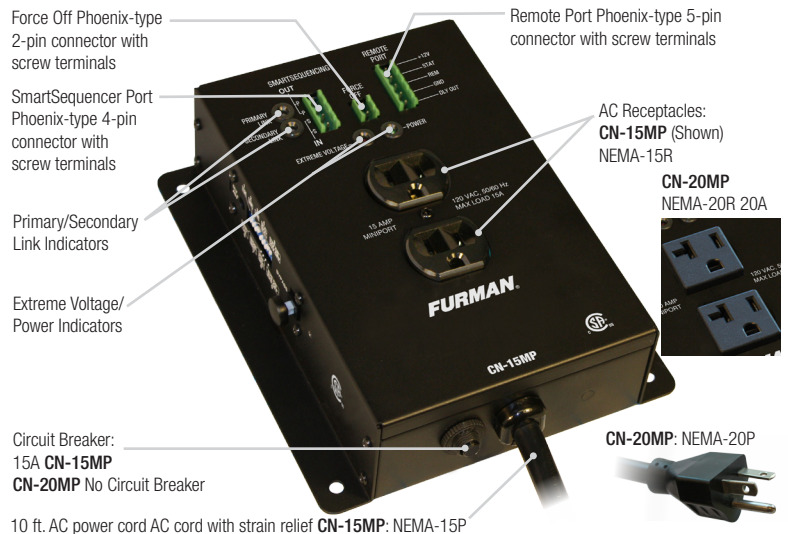
- Provides AC control for equipment located away from system racks with primary power conditioners/sequencers (i.e. powered speakers).
- Sequencing of duplex initiated remotely by standard analog triggering (remote terminal) or digital link (SmartSequencing from CN-1800S or CN-2400S).
- SmartSequencing Technology allows multiple units to be daisy chained at runs of over 1,000' between units with bi-directional communications between units for sequencing on and off large and/or complex systems.
- IP Control (Telnet or cloud-based BlueBOLT) via SmartSequencing (when connected to CN-1800S/ CN-2400S with BB-RS232 Adaptor).
- Remote terminal supports connections to legacy Furman (non-Contractor Series) and third party power sequencers for maximum installation flexibility.
- DIP switches and potentiometer allows customization of settings such as sequencing delays, 12V on/off, and more.
- Extreme Voltage Shutdown (EVS) safeguards from catastrophic under-voltage (under 80V sustained) or over-voltage (over 145V sustained) conditions. Circuit may be set to auto-reset when voltage returns to normal or manual reset after an event is detected.
- Security covers prevent unauthorized personnel from tampering with DIP switches.
- Fire alarm shut off.
- Available with 15 amp capacity (**CN-15MP**) or 20 amp capacity (**CN-20MP**).
- Safety agency listed (CSA).
- 15 Year Limited Product Warranty. See warranty policy documentation for terms and conditions.



Potentiometer for Fine Tune Delay Time

DIP switches for configuring settings

Bypass switch overrides relay for troubleshooting or in event of control system failure



## Specifications

### AC Voltage Input Range

90-139VAC, 50/60Hz

### Maximum AC Current Rating

**CN-15MP:** 15 Amps (Thermal breaker)

**CN-20MP:** 20 Amps

### AC Cord:

**CN-15MP:** 3/14AWG, 10 feet, black, fixed, NEMA 5-15P plug

**CN-20MP:** 3/12 AWG, 10 feet, black, fixed, NEMA 5-20P plug

### AC Receptacles:

**CN-15MP:** 2 NEMA 5-15R's (1 duplex)

**CN-20MP:** 2 NEMA 5-20R's (1 duplex)

### Under-Overvoltage Protection:

AC Undervoltage Protection: EVS, 77VAC+/-3VAC

AC Overvoltage Protection: EVS, 140VAC+/-5VAC

EVS Enable/Disable (configurable)

### Operating Temperature Range:

5C (40F) to 40C (105F) degrees

### Humidity Range:

<90% rH (Relative Humidity)

### User Interface:

Circuit Breaker: Pushbutton, 15A (**CN-15MP**),

20A (**CN-20MP**) No Breaker

Front panel diagnostic indicators (LED): Power, Extreme Voltage, Primary Link, Secondary Link

### User Interface (continued):

Side Panel DIP Switches: Side panel, hidden by security cover, 1 Minute Delay, 2 Minute Delay, 4 Minute Delay, Force Off NO/NC, 12V Mode On/Off GND Mode On, Momentary/Maintained, Primary/Secondary, EVS Reset Auto/Manual  
 Potentiometer: Side panel, hidden by security cover, fine tune delay adjust

### Control/Status/Triggering (Top Panel):

Remote Terminal: +5-30VDC In, 12VDC (12mA) Out

SmartSequencing: Phoenix 4-Pin Connector, Screw Terminals, Primary & Secondary Links (Current Loop - 1000' nominal)

Remote Terminal: Phoenix 5-Pin Connector With Screw Terminals;

+12V, STAT, REM, GND, DLY OUT(Class 2 Wiring)

Force Off: Phoenix-type 2-Pin Connector With Screw Terminals,

FORCE OFF: (Class 2 Wiring)

IP Addressability: Optional, via CN-1800S or CN-2400S with BB-RS232

Ethernet/RS-232

Adaptor (sold separately) for IP control via Telnet, HTTP, BlueBOLT®

Voltmeter: Available via SmartSequencing communication, +/- 2VAC accuracy

Ammeter: Available via SmartSequencing communication, +/-1A accuracy

### Power Consumption (No Load): 10 Watts

### Safety Agency: CSA

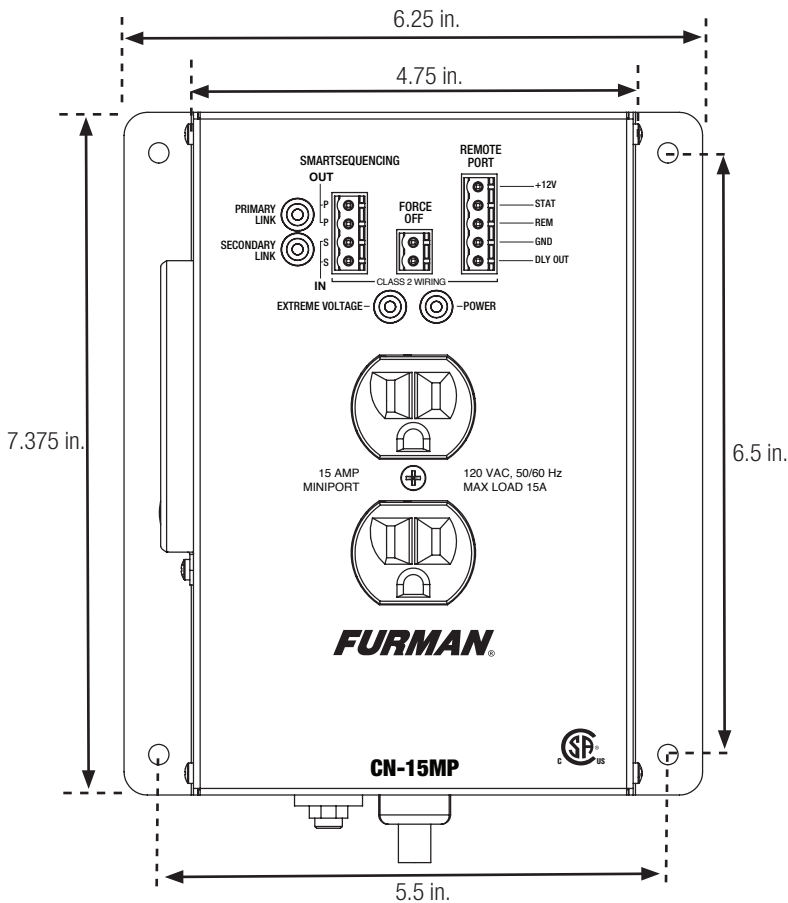
### RoHS Compliant: Yes



Specifications subject to change due to product upgrades and improvements.

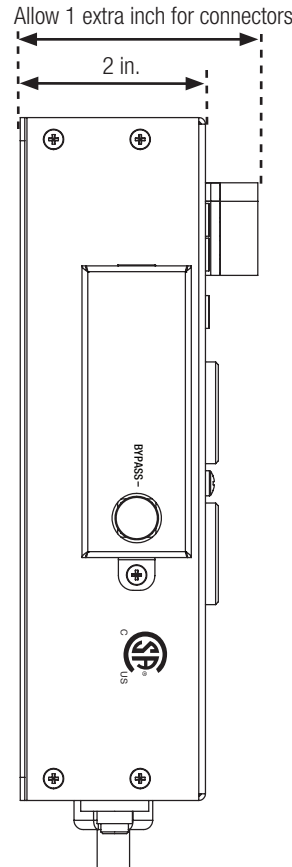
## Dimensions and Weight

Common FRONT dimensions for both **CN-15MP** and **CN-20MP**



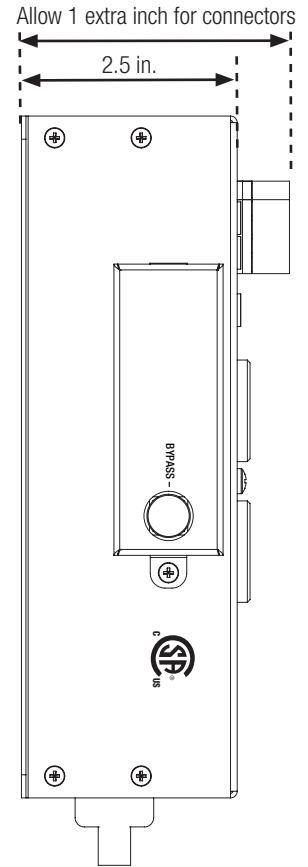
Unit Weight: 3.75 lbs. (both models)

SIDE **CN-15MP**



Power Cord-10 feet, black, fixed, NEMA  
 • (CN-15MP) 3/14AWG, 5-15P plug

SIDE **CN-20MP**



Power Cord-10 feet, black, fixed, NEMA  
 • (CN-20MP) 3/12AWG, 5-20P plug