

# FURMAN



## ELITE-15 PF i

LINEAR FILTERING AC POWER CONDITIONER

### FEATURES

- Power Factor Technology provides over 45 Amps peak charge surplus current for power-starved amplifiers
- Wide bandwidth Linear Filtering Technology for stunning audio and video clarity
- Series Multi-Stage Protection provides virtually maintenance-free AC surge suppression
- Zero ground contamination circuitry protects critical digital components
- Retractable LED lamps illuminate a cabinet or rack full of equipment
- 12 Volt triggering for remote control

### DESCRIPTION

For over 33 years, Furman has pioneered the development of AC power products for the most demanding audio, video, and broadcast professionals. Though the need for pristine AC power is nothing new, the Elite-15 Power Factor i's technology and its unique implementation are revolutionary and without peer.

The extreme AC demands encountered in the professional audio/video arena have required technological developments far in excess of typical home theater/audiophile power products. In studios, live sound, and broadcast facilities, breakdown is unacceptable. Equipment failure or poor performance is costly. The same is true of today's home theater. Our solution based technology, extensive engineering expertise, and robust build quality have answered the challenge of today's corrupted power lines, and led to the creation of the Elite-15 PF i.

Today's power lines are plagued with RF and EMI noise. When connecting sensitive equipment to your home's power outlet, AC noise couples into your system's critical components. This AC noise masks low level signals and cripples performance. This low level content is critical because it relays the crucial harmonics and ambience in audio, as well as the depth and clarity in video. With Furman's exclusive Linear Filtering Technology, televisions, projectors, DVD players, amplifiers, and processors are fed linearly-filtered AC power. This dramatically reduces noise, ensuring consistent peak operation regardless of load conditions or the time of day. For the first time, you will see and hear your theater or audio system as it should be – uncompromised.

Another critical feature is our exclusive Series Multi-Stage Protection. This virtually maintenance-free surge suppression

## ELITE-15 PF i (continued from reverse)

assures the highest level of AC protection possible, without sacrificing itself when the offending surge is severe – no damaged equipment, no service calls, no down time. Further, our famous retractable front panel LED lamps allow easy viewing of either a rack or cabinet full of equipment, even when your theater lights are off.

The Elite-15 PF i also features remote control capability via 12V triggering, compatible with the 12V triggering devices commonly found in power receivers and pre-amp processors. Additional products (such as a remote subwoofer) can be daisy-chained from the 12V output jack for an additional triggered unit. The 12V triggering feature may be bypassed if desired.

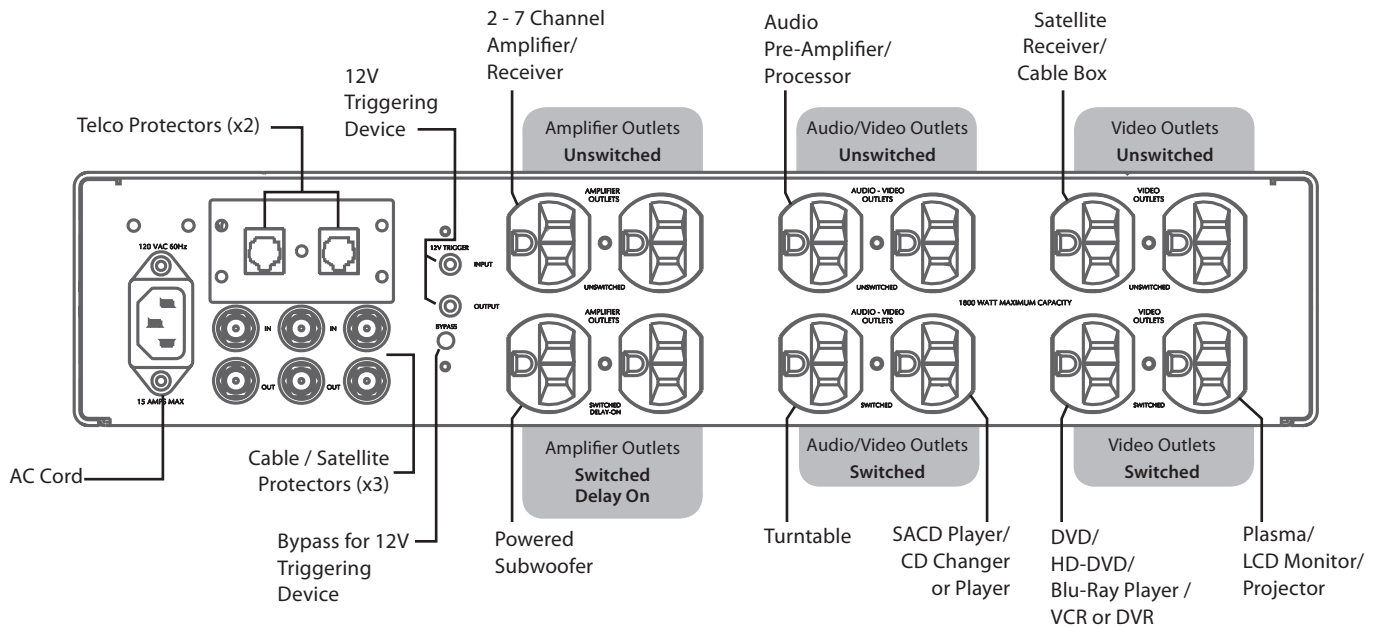
At the center of the Elite-15 PF i is our unique Power Factor Technology. For the first time, low-level analog, digital, and video components are not modulated or distorted via the power amplifier's extreme AC current demands. Further, the power amplifier sees a highly filtered, extremely low-impedance supply of AC power. The Elite-15 PF i, in fact, has in excess of 3 Amps

of continuous current reserve (over 45 amps peak charge) for the most extreme peak power demands. This technology enables power amplifiers and powered subwoofers to operate at peak efficiency, reaching levels of performance previously unattainable.

No longer will your amplifier's performance be at the mercy of your home's incoming AC power or inferior AC protection/ filtering devices. The net effect is as if your power amplifier virtually doubled in power and improved immeasurably in quality.

When employing the Elite-15 PF i, you will immediately notice far clearer, stunningly focused sound and visual images from your system. Video presentation will be crisp and colors true with greater gray and black scale definition, as well as noticeably improved depth and clarity. Sonic transients will be startlingly fast with bass fundamentals that shake foundations with their weight and visceral impact. Mid and high frequencies will bloom with sweet, non-glaring ease while imaging improves dramatically, all the while remaining true to your system's inherent virtues.

## EXAMPLE AC CONNECTION



## ELITE-15 PF i SPECIFICATIONS

### AC Current Capacity:

Input - 15 Amp capacity required

Output - 11-15 Amps RMS (maximum, all outlets combined - continuous)

### Linear Noise Attenuation

#### Transverse (Differential) Mode

>40 dB from 10Khz. - 100 kHz.

>80 dB from 100 Khz. - 1GHz.

(Linear attenuation curve from 0.05 - 100 ohms line impedance)

### Transient Voltage Surge Suppression

120VAC Line (Series Multi-Stage Protection, non-sacrificial with zero ground contamination, 188V peak clamping @ 6000V 3000A input)

Telco, Cable / Satellite (Less than .1dB line loss)

### Shutdown Range

140 VAC +/- 3 VAC

### Power Consumption:

12 Watts for display and control circuits independent of actual load

### Outlets:

1 (linearly filtered outlet, front panel)

4 (linearly filtered audio-video outlets, 2 switched via 12V trigger)

4 (linearly filtered outlets with additional ultrasonic filtering for video components, 2 switched via 12V trigger)

4 (Power Factor Technology amplifier outlets, 3 amps RMS reserve, reactive load, over 45 amps peak charge, 2 switched with 5 second delay via 12V trigger)

### Dimensions:

4" H x 17" W x 14.75" D (Standard 2 RU height without feet)

### Weight:

15 lbs.

### Three Year Limited Warranty

Elite i Series units are protected by a limited three year warranty covering defects in materials and workmanship.