

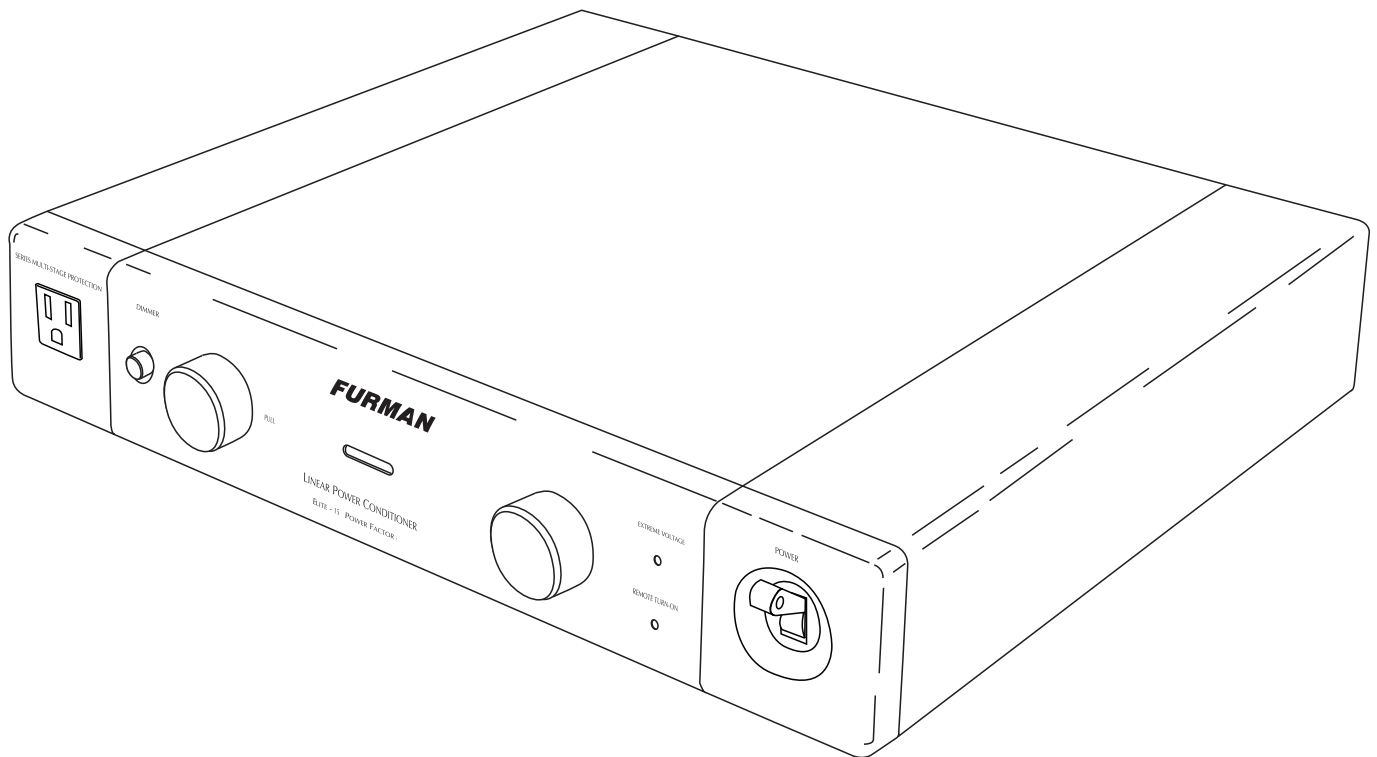
FURMAN

ELITE-15 PF i

LINEAR FILTERING AC POWER CONDITIONER

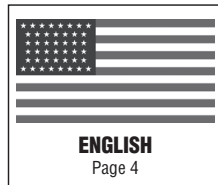
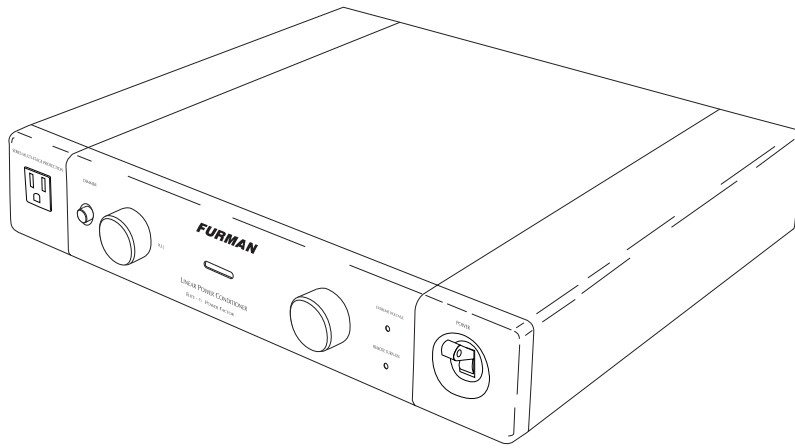
CONDITIONNEUR D'ALIMENTATION C.A. AVEC TECHNOLOGIE À FILTRAGE LINÉAIRE

ACONDICIONADOR DE LÍNEA DE AC CON FILTRAJE LINEAR



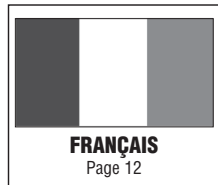
OWNER'S MANUAL
GUIDE DE L'UTILISATEUR
MANUAL DE USUARIO

FURMAN®



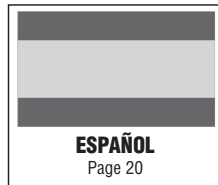
ENGLISH
Page 4

ELITE-15 PF i OWNER'S MANUAL



FRANÇAIS
Page 12

ELITE-15 PF i GUIDE DE L'UTILISATEUR



ESPAÑOL
Page 20

ELITE-15 PF i MANUAL DEL PROPIETARIO

Elite-15 PF i Features

- Power Factor Technology provides over 45 Amps peak charge surplus current for power-starved amplifiers
- Wide bandwidth Linear Filtering Technology for stunning audio and video clarity
- Series Multi-Stage Protection provides virtually maintenance-free AC surge suppression
- Zero ground contamination circuitry protects critical digital components
- Retractable LED lamps illuminate a cabinet or rack full of equipment
- 12 Volt triggering for remote control

Introduction

For over 34 years, Furman has pioneered the development of AC power products for the most demanding audio, video, and broadcast professionals. Though the need for pristine AC power is nothing new, the Elite-15 Power Factor i's technology and its unique implementation are revolutionary and without peer.

The extreme AC demands encountered in the professional audio/video arena have required technological developments far in excess of typical home theater/audiophile power products. In studios, live sound, and broadcast facilities, breakdown is unacceptable. Equipment failure or poor performance is costly. The same is true of today's home theater. Our solution based technology, extensive engineering expertise, and robust build quality have answered the challenge of today's corrupted power lines, and led to the creation of the Elite-15 PF i.

Today's power lines are plagued with RF and EMI noise. When connecting sensitive equipment to your home's power outlet, AC noise couples into your system's critical components. This AC noise masks low level signals and cripples performance. This low level content is critical because it relays the crucial harmonics and ambience in audio, as well as the depth and clarity in video. With Furman's exclusive Linear Filtering Technology, televisions, projectors, DVD players, amplifiers, and processors are fed linearly-filtered AC power. This dramatically reduces noise, ensuring consistent peak operation regardless of load conditions or the time of day. For the first time, you will see and hear your theater or audio system as it should be – uncompromised.

Another critical feature is our exclusive Series Multi-Stage Protection. This virtually maintenance-free surge suppression assures the highest level of AC protection possible, without sacrificing itself when the offending surge is severe – no damaged equipment, no service calls, no down time. Further, our famous retractable front panel LED lamps allow easy viewing of either a rack or cabinet full of equipment, even when your theater lights are off.

At the center of the Elite-15 PF i is our unique transient Power Factor Technology circuit. For the first time, low-level analog, digital, and video components are not modulated or distorted via the power amplifier's extreme AC current demands. Further, the power amplifier sees a highly filtered, extremely low-impedance supply of AC power. The Elite-15 PF i, in fact, has in excess of 3 Amps of continuous current reserve (over 45 amps peak charge) for the most extreme peak power demands. This technology enables power amplifiers and powered subwoofers to operate at peak efficiency, reaching levels of performance previously unattainable.

No longer will your amplifier's performance be at the mercy of your home's incoming AC power or inferior AC protection/filtering devices. The net effect is as if your power amplifier virtually doubled in power and improved immeasurably in quality.

When employing the Elite-15 PF i, you will immediately notice far clearer, stunningly focused sound and visual images from your system. Video presentation will be crisp and colors true with greater gray and black scale definition, as well as noticeably improved depth and clarity. Sonic transients will be startlingly fast with bass fundamentals that shake foundations with their weight and visceral impact. Mid and high frequencies will bloom with sweet, non-glaring ease while imaging improves dramatically, all the while remaining true to your system's inherent virtues.

Installation

Unpacking

Before unpacking your unit, inspect the carton for any obvious severe damage to the box and internal protective materials. If internal damage is likely, contact the carrier who delivered the unit before proceeding with unpacking. If shipping damage is evident on the product, then please contact your shipping carrier. Save all shipping and packing materials, as you may need them if you should ever have to return the unit to the factory for servicing.

The box should contain the Elite-15 PF i unit, detachable AC cord, rack mount kit, owner's manual, and warranty registration card. If anything is missing, please contact Furman Customer Service. Fill out and return your warranty registration card. Registration is recommended because it can be used to establish whether the unit is within the warranty period should your original ownership documents be lost, and it assists us in informing you about upgrades or other vital information.

Safety Information - Warnings

Please read and observe all of the safety and operating instructions before the Elite-15 PF i is operated. Retain these instructions for future reference.

- Do not disassemble or modify in any way. No user-serviceable parts inside
- Keep away from moisture and avoid excessive humidity
- Do not allow liquids or foreign objects to enter the unit

The Elite-15 PF i should be serviced by qualified service personnel when:

- The power supply cord or plug has been frayed or cut.
- Objects have fallen or liquid has spilled into the unit.
- The Elite-15 PF i has been exposed to rain or other moisture.
- The Elite-15 PF i does not appear to operate normally, or exhibits a marked change in performance.
- The Elite-15 PF i has been dropped, or the enclosure damaged.

The Elite-15 PF i requires that a safety ground be present for proper operation.

NOTE to CATV System Installer:

This reminder is provided to call the CATV system installer's attention to Section 820-40 of the NEC which provides specific guidelines for proper grounding. In particular, Section 820-40 specifies that the cable ground shall be connected to the grounding system of the building, as close to the point of cable entry as practical.

Power Source

The power source to which the Elite-15 PF i is connected should be adequate for use at 15 Amps. The Elite-15 PF i will operate with a 10 Amp service outlet. However, nuisance tripping at the circuit breaker panel may result if the systems continuous current draw exceeds 10 Amps.

Placement

The Elite-15 PF i is manufactured with four rubber feet for placement on any table, cabinet, shelf, or floor. These rubber feet may be easily removed with a standard Philips screw driver when rack mounting adjacent to other components. Placement or proximity to other components is not critical, and the Elite-15 PF i does not produce any appreciable heat under standard use. The Elite-15 PF i may also be rack mounted in a standard 19" rack by attaching the Elite-15 PF i rack ears. These rack ears (contained within the plastic rack kit package) mount flush with the back portion of the Elite-15 PF i's front panel. They are attached to the chassis by installing each rack ear with (3) pan-head Philips screws contained within the Elite-15 PF i rack mounting kit. The third screw used for each rack ear is for the center hole, located towards the rear and aids in stabilizing the unit when rack mounted.

Connection

AC Cable Routing

Once the Elite-15 PF i is placed, its AC cord's female end must be plugged into the male IEC connector located on the lower left hand side of the rear panel (when facing the rear panel). Next the male Edison plug must be connected to an appropriate socket (see current rating recommendation above).

Connecting Components to the Video Component AC Outlet Banks

The Elite-15 PF i's four "Video Component AC Outlets" should be employed for critical video components such as DVD players, projectors, plasma, or LCD video screens. When employing the Elite-15 PF i for a 2-channel audio system, a pre-amplifier and or CD player would be ideally suited for these outlets. Two outlets are switched via 12V triggering, two are not.

Connecting Components to the Audio – Audio-Video Linear Filtering Power Banks

The Elite-15 PF i's four rear panel and one front panel "Linear Filtering Audio – Audio-Video Power Outlets" should be employed for any component not connected to the "Video Component AC Outlets," with the exception of receivers, power amplifiers and powered sub-woofers. These outlets still possess exceptional AC noise filtering to maximize system performance. Two outlets are switched via 12V triggering, two are not.

Connecting Components to the High Current Power Amplifier Banks

All power amplifiers, receivers and powered sub-woofers should be connected to these four outlets.

Many audiophile and premium home theater systems will have combined continuous current demands below 15 Amps. It is rare, in fact, for large power amplifiers to draw more than 4 Amps continuously. For superior performance, it is vital that an AC filter possess extraordinarily low impedance, and have the capability to pass peak current demands far in excess of the RMS (continuous) current rating.

The Elite-15 PF i was designed to more than meet this demand. Additionally, our transient Power Factor Technology circuitry effectively creates a current reserve in excess of 45 amps peak up-charge that is cleaner and faster than a dedicated line from your local power station. This feature eliminates any concern towards the current compression that can result from typical power conditioners, and the peak power reservoir benefits any power amplifiers performance dramatically. Two outlets are unswitched, two have a 5 second delay when utilized with the 12V trigger.

12V Triggering – Switching and Delayed Turn-On

The Elite-15 PF i's front panel and six of the rear panel mounted outlets are always on, once the front panel power switch is engaged. The remaining six rear panel outlets are labeled "Switched" or "Switched - Delay On". These require a 12 volt triggering device such as that typically found in most power receivers and audio pre-amp processors. The input for the 12V trigger is a female mono mini-phone jack. An additional product (such as a remote sub-woofer) can be daisy-chained from the 12V output jack for an additional triggered unit.

For those who do not wish to utilize the 12V triggering, a convenient bypass push button switch is located adjacent to the input and output jacks. By depressing this button, all outlets will operate when the front panel power switch is engaged.

WARNING: If the 12V bypass switch is not engaged, six of the outlets will not supply power until a 12V trigger is present!

Any primary control component such as a receiver with a master universal remote should be connected to an unswitched outlet. If not, once the universal remote is turned off, there will be no way to restore power to the receiver via the remote control.

Note about Power Factor Technology and Current Consumption

When Power Factor Technology is employed with even the most sophisticated circuit breakers, it effectively adds to the perceived current load. Though the Elite-15 PF i was designed for steady 15 Amp operation, and peak current demands many times that, the maximum total continuous current draw may be limited to a range between 1400 - 1750 Watts per Elite-15 PF i employed.

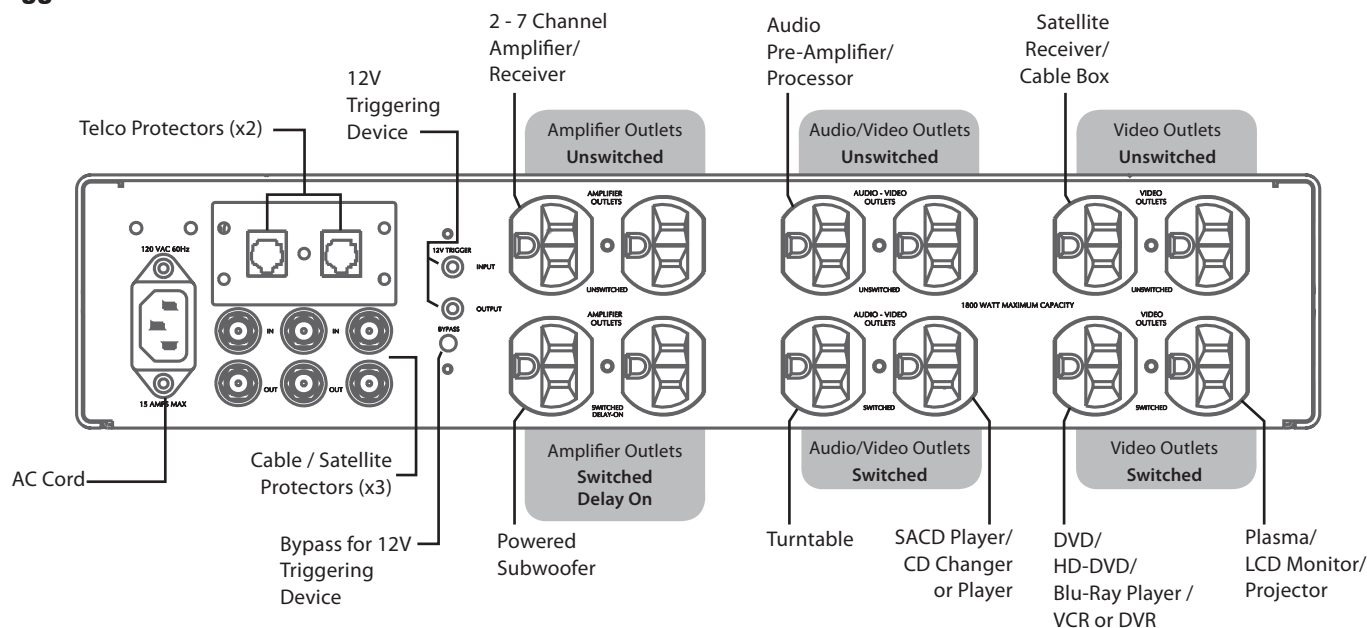
The RMS current available before the circuit breaker trips varies due to what is referred to as a vector load. Simply put, the type of power supplies or electronic circuits connected to the Elite-15 PF i will have an effect on its circuit breakers perceived current load, and therefore, when it will trip. Though the benefits of Power Factor Technology far outweigh the small reduction in continuous current draw, this must be accounted for when constructing a large system with high current demands.

The total continuous current draw of most electronic components is typically listed in Watts by their AC input cord or AC connector. Watt ratings are simply added to determine the total system RMS current draw. It should also be noted that the Elite-15 PF i's Power Factor Technology has no actual effect on the power drawn from your utilities' power meter. The Elite-15 PF i draws a mere 8.5 Watts independent of other components, so it may be left on at all times.

Retractable Front Panel Lights and Dimmer Control

The Elite-15 PF i includes a front panel mounted dimmer control for the two retractable front panel light tubes. The dimmer knob controls the brightness of both light fixtures. Turn it clockwise to increase brightness; turn it counter-clockwise to decrease brightness. When the lights tubes are fully inserted flush to the front panel, the light circuit is turned off via an internal micro-switch. Whether the light tubes are retracted or nearly flush with the front panel, there will be no appreciable heat regardless of dimmer setting due to the efficiency of our full light spectrum LED's.

Suggested AC Connection



Soft Start - Continuous Use and Break-In Time

When power is first applied to the Elite-15 PF i, (the front panel breaker- power toggle must be switched to the "on" position) the Soft Start feature is activated. There is an audible "clack" when the Elite-15 PF i is first turned on or off. This sound is produced by the Soft Start circuit's 30 Amp relay engaging or disengaging. There is virtually nothing in the Elite-15 PF i's construction, design, or componentry to wear over the life time of the product, and there is no power draw from your electric service meter aside from the LED power indicator, lamps, and relay circuits. For this reason the Elite-15 PF i may be left

with its power engaged permanently at a cost of pennies per month. This is an added benefit, as many audio/videophiles find performance improves significantly when leaving low-powered components permanently charged (turned on). In fact, this is true of the Elite-15 PF i. Though it will function flawlessly right from its shipping carton, the performance of its circuit parts will improve after approximately two weeks of continuous use or "break-in."

AC Transient Voltage Surge Suppression and Extreme Voltage Shutdown

Extreme Voltage Shutdown Indicator:

This LED is normally off. It monitors AC wiring faults – for example, accidental connection to an open neutral from a 208 or 240VAC feed (this is a common occurrence if the 15 Amp outlet source is not a dedicated line, but instead has been wired with a daisy-chained neutral from a homes breaker box). The Series Multi-stage Protection (SMP) circuit senses voltages that are so high that operation would be impossible and shuts the power down before damage can occur. Upon initially applying power to these units, the Extreme Voltage indicator LED will light if the input voltage is above the extreme voltage cutoff, and power will not be applied to the unit's outlets. If the unit has been operating with an acceptable input voltage and subsequently that voltage exceeds 140V or falls below 85V, it will shut off power to the outlet and the Extreme Voltage LED will light. The circuit will attempt to re-set automatically within 5 seconds, so manual re-set will only be necessary if there is a permanent wiring fault.

Protection OK Indicator:

Although the Furman SMP circuit assures virtually maintenance free protection from transient voltage spikes and surges, nature has a way of occasionally creating electrical forces that are beyond the capabilities of any Transient Voltage Surge Suppression device to absorb without some degree of damage. In the rare instance that this occurs, the blue LED located in the center of the front panel will dim, even though AC power is present at the unit's outputs. If this happens, some level of protection from voltage surges will remain, but the Furman's clamping voltage rating will be compromised. The unit must be returned to Furman Sound, or an authorized Furman Service center for repair.

NOTE: If the mains power is above the high cutoff voltage and has caused the unit to remove power from its outlets, it cannot restore power without the operator manually turning the unit off, then on again. Avoid turning the unit back on, without first checking the source of the problem, and perhaps changing the AC source.

Telco – Satellite – Cable Transient Voltage Surge Suppressors

The Elite-15 PF i features transient voltage surge suppression for both standard telephone lines, as well as cable or satellite lines utilizing standard coaxial connectors. As these surge suppressors are in-line, they will require an additional cable to connect from their output to the control device requiring protection.

All in-line surge suppressors feature our exclusive ground contamination free technology. This aids in eliminating audio buzzing, and the video hum-bars that can result from typical in-line suppressors. Further, our cable and satellite suppressors are DVR friendly as well as HD digital television ready. Both DC carrier signals as well as high bandwidth signals can pass through our circuit. In fact the bandwidth is less than 0.1dB loss at 1GHz!

To connect your cabling to these in-line protectors, simply follow the in and out indications marked next to the Telco, Cable and Satellite connectors.

Note: *It is not possible to make an in-line cable or satellite protector "maintenance-free" as we have accomplished with the 120 VAC line. This would necessitate limited signal bandwidth that would not allow the signal to pass. Under extreme conditions, it is possible that the surge suppression in one of these devices could sacrifice itself after a catastrophic event. If the telephone, cable or satellite signal will no longer pass through our protector, please contact your local service representative, installer or Furman for servicing. Since these circuits are modular, replacement may be accomplished in seconds with a new TVSS module. To test this, simply disconnect the incoming and out going cable from the Elite-15 PF i. Connect the incoming connector to the component that formerly received the out going connector, thus by-passing the in-line protection. If the signal is present (but not when used with the Elite-15 PF i) then the protection circuit is damaged (assuming it worked properly before a storm or catastrophic event).*

Warranty

Furman Sound, LLC. warrants to the original purchaser of this product, the Furman Elite-15 PF i, that the product will be free from defects in material and workmanship for a period of three years from the date of purchase. The purchaser of the product is allowed fifteen days from the date of purchase to complete warranty registration by mail or on-line at the Furman website. If the purchaser fails to complete the aforementioned registration, the warranty period will be reduced to one year from the date of purchase.

If the product does not conform to this Limited Warranty during the warranty period (as herein above specified), purchaser shall notify Furman in writing of the claimed defects. If the defects are of such type and nature as to be covered by this warranty, Furman shall authorize the purchaser to return the product to the Furman factory or to an authorized Furman repair location. Warranty claims should be accompanied by a copy of the original purchase invoice showing the purchase date; this is not necessary if the Warranty Registration was completed either by mailing in the completed warranty card or by registering on-line at the Furman website. Shipping charges to the Furman factory or to an authorized repair location must be prepaid by the purchaser of the product. Furman shall, at its own expense, furnish a replacement product or, at Furman's option, repair the defective product. Return shipping charges back to purchaser will be paid by Furman.

CONNECTED EQUIPMENT WARRANTY: Furman Sound's Connected Equipment Warranty covers equipment that is damaged by transient voltage (an "Occurrence") while properly connected through the Furman Elite-15 PF i to a properly wired AC power line with a protective ground in an indoor location. Furman's Connected Equipment Warranty is limited to the amount of the deductible on the Purchaser's personal property insurance policy up to \$500.00. In order to make a claim for this Connected Equipment Warranty, the Purchaser must forward a copy of his/her personal property insurance claim for the damaged equipment to Furman and complete the Furman Connected Equipment Warranty claim form (call Furman at (707) 763-1010 to obtain the form). Furman reserves the right to review the damaged Furman product, the damaged connected equipment, and the site where the damage occurred. All cost of shipping damaged equipment to Furman for inspection shall be borne solely by the Purchaser. Damaged equipment must remain available for inspection until the claim is finalized. The Connected Equipment Warranty is also in effect for a period of three years unless the Purchaser does not complete the warranty registration within fifteen days from date of purchase, at which time, the Connected Equipment Warranty period is also reduced to one year from the date of purchase.

All warranties contained herein are null and void if: the Furman Surge Protector in use during the occurrence is not provided to Furman for inspection upon Furman's request at the sole expense of the Purchaser, Furman determines that the Furman Surge Protector has been opened, improperly installed, altered in any way or tampered with, Furman determines that the damage did not result from the Occurrence or that no Occurrence in fact took place or Furman determines that the connected equipment was not used under normal operating conditions or in accordance with Manufacturer's instructions for the connected equipment. All Furman Surge Protectors must be plugged directly into a properly wired AC power line with a protective ground and must not be "daisy-chained" together in serial fashion with other power strips, UPS's, other surge protectors, three-to-two-prong adapters, or extension cords. Any such installation voids this warranty. The Furman warranty only protects against damage to properly connected equipment where Furman has determined, at its sole discretion, that the damage resulted from an Occurrence and does not protect against acts of God (other than lightning) such as flood, earthquake, war, terrorism, vandalism, theft, normal-use wear and tear, erosion, depletion, obsolescence, abuse, damage due to low-voltage disturbances (i.e. brownouts or sags), non-authorized program, or system equipment modification or alteration. Do not use this product in anyway with a generator, heater, sump pump, water-related device, life support device, medical device, automobile, motorcycle, or golf-cart battery charger. To be used indoors only and in dry areas. All warranties contained herein are null and void if used in anyway with any of the aforementioned devices.

THE FOREGOING IS IN LIEU OF ALL OTHER WARRANTIES, EXPRESS OR IMPLIED, INCLUDING BUT NOT LIMITED TO THE IMPLIED WARRANTIES OF MERCHANTABILITY AND FITNESS FOR A PARTICULAR PURPOSE. Furman does not warrant against damages or defects arising out of improper or abnormal use or handling of the product; against defects or damages arising from improper installation, against defects in products or components not manufactured by Furman, or against damages resulting from such non-Furman made products or components. This warranty shall be cancelable by Furman at

its sole discretion if the product is modified in any way without written authorization from Furman. This warranty also does not apply to products upon which repairs have been affected or attempted by persons other than pursuant to written authorization by Furman.

THIS WARRANTY IS EXCLUSIVE. The sole and exclusive obligation of Furman shall be to repair or replace the defective product in the manner and for the period provided above. Furman shall not have any other obligation with respect to this product or any part thereof, whether based on contract, tort, strict liability, or otherwise. Under no circumstances, whether based on this Limited Warranty or otherwise, shall Furman be liable for incidental, special, or consequential damages. Furman's employees or representatives' **ORAL OR OTHER WRITTEN STATEMENTS DO NOT CONSTITUTE WARRANTIES**, shall not be relied upon by purchaser, and are not a part of the contract for sale or this limited warranty. This Limited Warranty states the entire obligation of Furman with respect to the product. If any part of this Limited Warranty is determined to be void or illegal, the remainder shall remain in full force and effect.

Warranty claims should be accompanied by a copy of the original purchase invoice showing the date of purchase (if a Warranty Registration Card was mailed in at the time of purchase or if the product was registered on-line, this is not necessary). Before returning any equipment for repair, please be sure it is adequately packed and cushioned against damage in shipment, and that it is insured.

Specifications

AC Current Capacity:

Input - 15 Amp capacity required

Output - 11-15 Amps RMS (maximum, all outlets combined - continuous)

Linear Noise Attenuation:

Transverse (Differential) Mode:

>40 dB from 10Khz. - 100 kHz.

>80 dB from 100 Khz. – 1GHz.

(Linear attenuation curve from 0.05 – 100 ohms line impedance)

Transient Voltage Surge Suppression:

120 VAC - Series Multi-Stage Protection - Non-Sacrificial with Zero Ground Contamination

(188 V peak clamping @ 6000V 3000A input)

Extreme Voltage Shutdown (>140 VAC)

Telco

Cable / Satellite (less than .1dB insertion loss)

Power Consumption:

12 Watts for display and control circuits independent of actual load.

Outlets:

1 (linearly filtered outlet, front panel)

4 (linearly filtered audio-video outlets, 2 switched via 12V trigger)

4 (linearly filtered outlets with additional ultrasonic filtering for video components, 2 switched via 12 V trigger)

4 (Power Factor Technology amplifier outlets, 3 amps RMS reserve, resistive load, over 45 amps peak charge,
2 switched with 5 second delay via 12V trigger)

Dimensions:

4" H x 17" W x 14.75" D (Standard 2 RU height without feet)

Weight:

15 lbs.

Caractéristiques de l'unité Elite-15 PF i

- Technologie de correction du facteur de puissance assurant un courant de crête supplémentaire de plus de 45 A pour les amplificateurs gourmands en énergie
- Technologie de filtrage linéaire (LIFT pour Linear Filtering Technology) à large bande assurant une clarté sans précédent au niveau du son et de l'image
- Circuit de protection à plusieurs étages en série (SMP pour Series Multi-Stage Protection) assurant une suppression des surtensions c.a. sans entretien
- Circuit prévenant la contamination par la terre pour protéger les composants numériques essentiels
- Lampes à DEL rétractables éclairant une armoire remplie d'équipements
- Fonction de déclenchement 12 V pour contrôle à distance

Introduction

Depuis plus de 34 ans, Furman ne cesse d'innover en matière de produits de conditionnement d'alimentation c.a. destinés aux professionnels les plus exigeants œuvrant dans les domaines de l'audio, de la vidéo et de la radiodiffusion. Bien que le besoin pour une alimentation c.a. pure n'ait rien de nouveau, la technologie de l'unité Elite-15 Power Factor i et sa mise en œuvre unique sont révolutionnaires et sans égal.

Les besoins extrêmes en alimentation c.a. qu'exige le matériel audio-vidéo professionnel ont conduit à des développements technologiques beaucoup plus poussés que ceux applicables aux produits d'alimentation types de cinéma-maison et d'audiophile. Pour les studios, les installations de sonorisation et de radiodiffusion, les défaillances sont inacceptables. Les pannes d'équipement et les mauvais rendements sont source de dépenses importantes. Il en est de même pour les cinémas-maisons actuels. Notre technologie fondée sur des solutions, notre grande expertise en matière d'ingénierie et notre qualité de fabrication ont surmonté les enjeux que posent les lignes d'alimentation affectées d'aujourd'hui et ont conduit à la création de l'unité Elite-15 PF i.

Les radiofréquences et les interférences électromagnétiques en augmentation constante affectent les lignes d'alimentation d'aujourd'hui. Lorsque vous branchez des équipements sensibles sur vos prises de courant domestiques, le bruit c.a. atteint les composants essentiels de votre système de manière à masquer les signaux de faible intensité et à détériorer le rendement. Ces signaux sont importants car ils transmettent les harmoniques essentielles et l'ambiance au niveau du son, ainsi que la profondeur et la netteté au niveau de l'image. Grâce à la technologie de filtrage linéaire exclusive à Furman, les téléviseurs, les projecteurs, les lecteurs DVD, les amplificateurs et les processeurs reçoivent une alimentation c.a. filtrée de façon linéaire contribuant à réduire considérablement le bruit c.a. tout en assurant un fonctionnement supérieur et uniforme peu importe les conditions de charge ou le moment de la journée. Pour la première fois, vous obtiendrez un système de cinéma-maison ou un système de sonorisation sans compromis autant au niveau de l'image qu'au niveau du son.

De plus, notre circuit exclusif de protection à plusieurs étages en série constitue aussi une autre caractéristique importante. Cette suppression des surtensions non sacrificielle et pratiquement sans entretien assure le niveau de protection c.a. le plus élevé qui soit advenant une surtension sévère – aucun équipement endommagé, aucun appel de service, aucun temps d'arrêt. Aussi, nos fameuses lampes à DEL rétractables situées sur le panneau avant facilitent l'éclairage d'une armoire remplie d'équipements, même lorsque les lumières de la salle sont éteintes. L'élément clé de l'unité Elite-15 PF i est notre technologie exclusive de correction du facteur de puissance. Désormais, les composants vidéo, numériques et analogiques à faible puissance ne seront plus modulés et ne présenteront aucune distorsion en raison des demandes extrêmes en courant c.a. de l'amplificateur. En outre, l'amplificateur de puissance profite d'une source d'alimentation c.a. à très basse impédance et hautement filtrée. En fait, l'Elite-15 PF i a une réserve de courant continu de plus de 3 A (courant de crête de plus de 45 A) pour répondre aux besoins en courant les plus extrêmes. Cette technologie permet aux amplificateurs de puissance et aux caissons d'extrêmes graves de fournir un rendement optimal et d'atteindre des niveaux de performance inédits. La performance de votre amplificateur ne sera plus jamais compromise par l'alimentation c.a. qui entre dans votre maison ou par des dispositifs de protection et de filtrage c.a. de piètre qualité. L'effet est si frappant que vous aurez l'impression que votre amplificateur fournit le double de puissance et qu'il offre une qualité considérablement améliorée. Lorsque vous utiliserez l'unité Elite-15 PF i, vous constaterez immédiatement que votre système offre un son et des images d'une grande clarté et d'une extrême précision.

Vos présentations vidéo seront plus nettes et leurs couleurs plus réalistes grâce à une meilleure définition des niveaux de gris et de noir, et elles présenteront une profondeur et une clarté grandement améliorées. Les sons transitoires seront exceptionnellement rapides avec des basses fréquences extrêmement percutantes en raison de leur profondeur et de leur impact, des moyennes et hautes fréquences à la fois douces et pures, tandis que les images seront nettement améliorées, sans compromettre les qualités propres à votre système.

Installation

Déballage

Avant d'ouvrir l'emballage de votre unité, inspectez ce dernier de façon à repérer tout dommage évident et important ayant été causé à la boîte et aux matériaux de protection internes. S'il s'avère évident que le contenu de la boîte a été endommagé, contactez le transporteur qui a livré l'unité avant d'ouvrir l'emballage. Si, après avoir ouvert l'emballage, vous constatez que des dommages sont survenus en cours de transport, contactez le transporteur. Conservez tous les matériaux d'emballage et d'expédition. Vous en aurez besoin dans l'éventualité d'un retour de l'unité à l'usine aux fins de réparation. La boîte devrait contenir l'unité Elite-15 PF i, un kit de montage en bâti, un guide d'utilisation et une fiche d'enregistrement et de garantie. S'il manque un de ces éléments, veuillez contacter le service à la clientèle de Furman. Complétez et retournez votre fiche d'enregistrement et de garantie. L'enregistrement est recommandé et nous permet de déterminer si l'unité est sous garantie dans l'éventualité de la perte de vos documents de propriété originaux, en plus de nous permettre de vous informer des mises à niveau ou de vous transmettre d'autres renseignements importants.

Information sur la sécurité et avertissements

Veuillez lire et appliquer toutes les consignes de sécurité et d'utilisation avant d'installer votre Elite-15 PF i. Conservez ces instructions aux fins de référence ultérieure.

- Il est interdit de démonter ou de modifier l'unité par quelque moyen que ce soit. Cette unité ne renferme aucune pièce remplaçable par l'utilisateur.
- Vous devez conserver l'unité dans un endroit sec et la protéger contre l'humidité excessive.
- Vous devez prévenir la pénétration de liquides ou de corps étrangers dans l'unité.

Votre Elite-15 PF i devrait être réparé par un technicien de service qualifié dans les cas suivants :

- Le cordon d'alimentation ou la fiche a été effilochée ou coupée.
- Un corps étranger ou un liquide a pénétré à l'intérieur de l'unité.
- L'unité Elite-15 PF i a été exposée à la pluie ou à l'humidité.
- L'unité Elite-15 PF i semble ne pas fonctionner normalement ou sa performance s'est dégradée.
- L'unité Elite-15 PF i est tombée, ou le boîtier est endommagé.
- L'unité Elite-15 PF i exige la présence d'une prise de terre de sécurité pour assurer un fonctionnement adéquat.

Source d'alimentation

La source d'alimentation à laquelle est reliée l'unité Elite-15 PF i doit être adéquate de façon à assurer un fonctionnement à 15 A. L'Elite-15 PF i fonctionnera si elle est reliée à une prise de courant de 10 A. Cependant, il peut survenir un déclenchement nuisible au niveau du panneau à disjoncteurs si l'appel de courant continu des systèmes excède 10 A.

Montage

L'unité Elite-15 PF i est dotée de quatre pieds en caoutchouc de manière à permettre une installation sur tout type de table, d'armoire, d'étagère ou de plancher. Ces pieds sont faciles à retirer au moyen d'un tournevis Philips standard pour assurer le montage en bâti à côté d'autres composants. L'installation de l'unité Elite-15 PF i à proximité d'autres composants est sans danger. En outre, l'unité Elite-15 PF i ne produit aucune chaleur appréciable sous des conditions normales d'utilisation et elle peut être montée en bâti dans une baie standard de 19 po en utilisant les équerres de montage en bâti. Ces équerres de montage (incluses dans l'emballage en plastique de kit de montage) sont montées à fleur à l'arrière de la surface du panneau avant de l'unité Elite-15 PF i. Elles se fixent au châssis en vissant les trois (3) vis Philips à tête tronconique incluses dans le kit de montage. La troisième vis utilisée pour chaque équerre de montage s'installe dans le trou central situé vers l'arrière et stabilise l'unité une fois montée en bâti.

Connexion

Acheminement du câble c.a.

Une fois l'unité Elite-15 PF i installée, vous devez relier l'extrémité femelle de son cordon c.a. au connecteur IEC mâle situé dans le coin inférieur gauche du panneau arrière (en supposant que vous faites face au panneau arrière). Ensuite, le connecteur Edison mâle doit être relié à une extrémité femelle appropriée (se reporter aux recommandations susmentionnées sur le courant nominal).

Branchement de composants sur les prises Video Component AC Outlet

Les prises Video Component AC Outlet de l'unité Elite-15 PF i devraient être utilisées pour les composants vidéo essentiels tels que les lecteurs DVD, les projecteurs, les écrans plasma ou les écrans vidéo ACL. Ces prises conviennent parfaitement à un préamplificateur et (ou) un lecteur CD lorsque vous employez l'Elite-15 PF i avec un système audio à deux canaux. Deux prises sont commutables par la fonction de déclenchement 12 V, et deux ne le sont pas.

Branchement de composants sur les prises avec filtrage linéaire Audio – Audio-Video

Les prises Linear Filtering Audio – Audio-Video Power Outlet (quatre sur le panneau arrière et une sur le panneau avant) de l'unité Elite-15 PF i devraient être utilisées pour les composants non reliés aux prises Video Component AC Outlet, à l'exception des récepteurs, des amplificateurs de puissance et des caissons d'extrêmes graves. Ces prises offrent également un filtrage du bruit c.a. exceptionnel de manière à optimiser le rendement du système. Deux prises sont commutables par la fonction de déclenchement 12 V, et deux ne le sont pas.

Branchement de composants sur les prises d'amplificateurs de puissance – haute intensité

Tous les amplificateurs de puissance, les récepteurs et les caissons d'extrême graves devraient être reliés à l'une ou l'autre de ces quatre prises. Beaucoup de systèmes audio et de cinéma-maison haut de gamme ont des besoins combinés et continus en intensité de courant nettement inférieurs à 15 A. En fait, il est rare que les gros amplificateurs de puissance consomment de façon continue une intensité de plus de 4 A. Pour obtenir une performance optimale, il est essentiel que le filtre c.a. ait une impédance exceptionnellement faible et la capacité de surpasser de façon importante le courant nominal efficace (en continu) de façon à répondre aux demandes maximales de courant. L'unité Elite-15 PF i est conçue pour répondre à cette exigence, et plus encore. De plus, notre circuit de correction du facteur de puissance crée de façon efficace une réserve de courant supplémentaire de plus de 45 A, à la fois plus propre et plus performant que celui d'une ligne dédiée provenant de la centrale électrique de votre région. Cette fonction élimine toute préoccupation quant à la compression de courant pouvant résulter de l'utilisation de conditionneurs d'alimentation ordinaires, et la réserve en courant améliore considérablement le rendement de tout amplificateur de puissance. Deux prises sont non commutables, et deux ont un délai de 5 secondes avec l'utilisation de la fonction de déclenchement 12 V.

Déclenchement 12 V – Commutation et Délai de mise sous tension

Les prises montées (une sur panneau avant et six sur panneau arrière) de l'Elite-15 PF i sont toujours activées une fois allumé l'interrupteur d'alimentation situé sur le panneau avant. Les six autres prises du panneau arrière sont marquées Switched et Switched Delay-On et exigent un dispositif de déclenchement 12 V comme on en trouve généralement sur la plupart des récepteurs et des préamplificateurs audio. L'entrée de déclenchement 12 V est une prise casque mono. Un produit additionnel avec déclenchement (comme un caisson d'extrêmes graves installé à distance) peut être relié en série à partir de la prise de sortie 12 V. Ceux qui désirent désactiver la fonction de déclenchement 12 V peuvent utiliser le pratique bouton-poussoir de dérivation qui est situé à côté des prises d'entrée et de sortie. En appuyant sur ce bouton, toutes les prises seront activées une fois allumé l'interrupteur d'alimentation du panneau avant.

AVERTISSEMENT : si le bouton de dérivation 12 V n'est pas enfoncé, l'alimentation de six des prises sera coupée jusqu'à ce que la fonction de déclenchement 12 V soit activée! Tout composant de contrôle central, comme un récepteur avec télécommande universelle principale, devrait être relié à une prise non commutable! Dans le cas contraire, une fois éteinte la télécommande universelle, il sera impossible de rétablir l'alimentation du récepteur au moyen de la télécommande.

Remarque à propos de la correction du facteur de puissance et de la consommation d'énergie

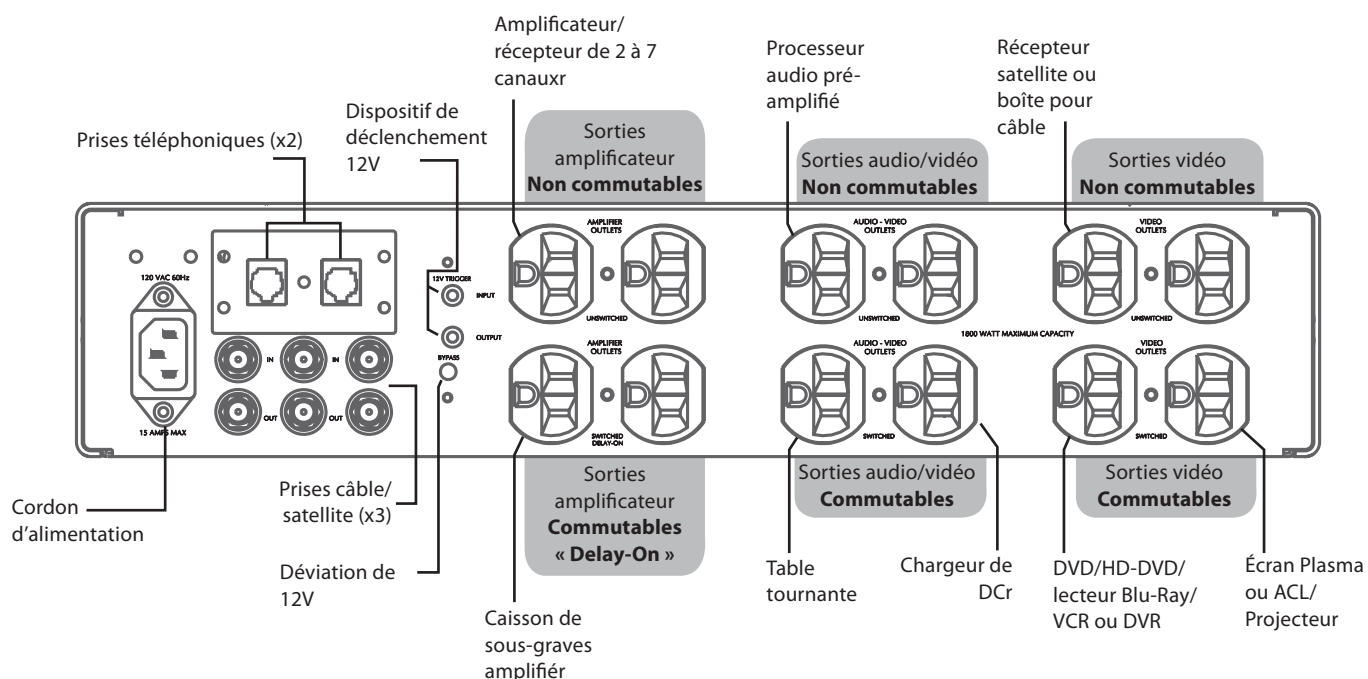
Lorsque la technologie de correction du facteur de puissance est utilisée, même les disjoncteurs les plus perfectionnés percevront une augmentation de la charge en courant. Bien que l'unité Elite-15 PF i ait été conçue pour un fonctionnement en continu à 15 A, en tenant compte que les demandes de courant de crête sont beaucoup plus importantes, l'appel de puissance total maximum en continu peut être limité selon une plage variant entre 1 400 et 1 750 W par unité Elite-15 PF i utilisée.

La puissance efficace disponible avant le déclenchement du disjoncteur varie en fonction de la réactance de la charge (vecteur). Plus simplement, le type de systèmes d'alimentation ou de circuits électroniques connectés à l'unité Elite-15 PF i auront un effet sur la charge de courant perçue par les disjoncteurs et, par conséquent, sur le déclenchement de ces derniers. Bien que les avantages que procure la correction du facteur de puissance l'emportent sur ceux de l'appel de puissance en continu réduit, ce facteur doit être pris en compte au moment de concevoir un système de grande envergure exigeant des besoins importants en courant. L'appel de puissance en continu total de la plupart des composants électroniques est généralement exprimé en watts au niveau de leur cordon c.a. ou de leur connecteur c.a. Cette puissance de fonctionnement est simplement ajoutée pour indiquer l'appel de puissance efficace totale du système. Il est important de souligner que le circuit de correction du facteur de puissance de l'unité Elite-15 PF i n'a pas réellement d'effet sur le courant débité depuis le wattmètre de votre établissement. L'unité Elite-15 PF i utilise environ 8,5 W, sans tenir compte des autres composants, ce qui vous permet de la laisser sous tension en tout temps.

Lampes rétractables sur panneau avant et commande d'intensité

L'unité Elite-15 PF i est munie d'une commande d'intensité sur panneau avant qui est dédiée aux deux lampes rétractables situées sur le panneau avant. Les commandes d'intensité règlent la luminosité des lampes. La rotation de gauche à droite de la commande a pour effet d'augmenter la luminosité, tandis que la rotation de droite à gauche permet de diminuer la luminosité. Lorsque les lampes sont positionnées à fleur avec le panneau avant, il est possible d'éteindre le circuit d'éclairage au moyen d'un microinterrupteur interne. Que les lampes soient en position rétractée ou à fleur avec le panneau avant, elles dégageront peu de chaleur peu importe le réglage de l'intensité en raison de l'efficacité de nos DEL à éclairage en spectre continu.

Suggestion de connexion



Mise sous tension sans appel de courant (Soft Start) – Utilisation continue et période de rodage

À la mise sous tension de l'unité Elite-15 PF i (l'interrupteur d'alimentation du panneau avant doit être en position On), la fonction Soft Start est activée. Vous entendrez un claquement à la première mise sous ou hors tension de l'unité Elite-15 PF i. Ce bruit est produit par l'engagement ou le désengagement du relais de 30 A du circuit de mise sous tension sans appel de courant. Pratiquement aucun élément au niveau de la construction, de la conception ou des composants de l'unité Elite-15 PF i ne s'usera au cours de la durée de vie du produit, et il n'y a aucun appel de courant important, à l'exception de l'indicateur d'alimentation à DEL, des lampes et des circuits du relais. Pour ces raisons, l'unité Elite-15 PF i peut demeurer sous tension de façon permanente à un coût mensuel minime. Il s'agit d'une valeur ajoutée puisque beaucoup d'audiophiles et de vidéophiles constatent une amélioration considérable des performances lorsqu'ils laissent sous tension de façon permanente les composants de faible puissance. En fait, cela est vrai pour l'unité Elite-15 PF i. Bien qu'elle fonctionne sans défaillance au sortir de la boîte, la performance des pièces des circuits s'améliorera après environ deux semaines d'utilisation continue ou de « rodage ».

Suppression de surtension transitoire pour lignes c.a. et arrêt en cas d'extrême tension

Indicateur d'arrêt en cas d'extrême tension :

L'indicateur DEL d'arrêt en cas d'extrême tension est normalement éteint. Il détecte les défauts de câblage c.a. – par exemple, la connexion accidentelle à un fil neutre d'une source de 208 ou 240 V c.a. (cette situation survient fréquemment lorsque la prise de 15 A n'est pas une ligne dédiée, et qu'elle a plutôt été reliée à un fil neutre connecté en série à partir d'une boîte de disjoncteurs domestique). Le circuit SMP (Series Multi-Stage Protection) détecte les tensions suffisamment élevées pouvant empêcher le fonctionnement et coupe l'alimentation avant que ne surviennent d'éventuels dommages. À la mise sous tension de ces unités, l'indicateur DEL d'arrêt en cas d'extrême tension s'allumera si la tension d'entrée excède le seuil de tension extrême, et les prises de l'unité ne seront plus alimentées. Si l'unité fonctionne avec une tension d'entrée acceptable et que la tension excède par la suite 140 V ou chute sous 85 V, il coupera l'alimentation de la prise et l'indicateur DEL d'arrêt en cas d'extrême tension s'allumera. Le circuit tentera une réinitialisation automatique dans un délai de 5 secondes. Ainsi, les réinitialisations manuelles sont nécessaires uniquement dans le cas d'un défaut de câblage permanent.

Indicateur Protection OK:

Bien que le circuit SMP de Furman assure une protection pratiquement sans entretien contre les surtensions transitoires, la nature peut parfois créer des charges électriques qui dépassent les capacités de tout appareil avec suppression des surtensions transitoires à les absorber sans entraîner certains dommages. Dans ce cas très rare, l'indicateur bleu situé au milieu du panneau avant s'éteindra, même en présence de courant c.a. au niveau des prises de l'unité. Dans ce cas, un certain niveau de protection contre les surtensions subsiste, mais le facteur de blocage de l'unité sera compromis. L'unité doit être retournée chez Furman Sound ou à un centre de réparation autorisé de Furman.

Remarque :

Si l'alimentation secteur est supérieure à la tension de blocage de manière à provoquer la coupure d'alimentation des prises de l'unité, cette dernière ne peut rétablir l'alimentation aussi longtemps que l'opérateur n'a pas éteint puis rallumé manuellement l'unité. Évitez de remettre l'unité sous tension sans avoir préalablement déterminé la source du problème, et aussi avoir changé la source c.a., le cas échéant.

Suppresseurs de surtension transitoire pour lignes de signaux par satellite – lignes coaxiales de câblodistribution – lignes téléphoniques

L'unité Elite-15 PF i assure une suppression de surtension transitoire autant pour les lignes téléphoniques standard, les lignes coaxiales de câblodistribution et les lignes de signaux par satellite utilisant des connecteurs coaxiaux standard. Comme ces supresseurs de surtension fonctionnent en ligne (in-line), ils requièrent un câble additionnel pour relier leur sortie au dispositif de contrôle nécessitant une protection. Tous les supresseurs de surtension en ligne sont dotés de notre technologie exclusive prévenant la contamination par la terre. Cette dernière permet d'éliminer les perturbations au niveau audio et les barres de ronflement au niveau vidéo qui sont produits par les supresseurs en ligne ordinaires. De plus, nos supresseurs pour lignes coaxiales de câblodistribution et lignes de signaux par satellite sont compatibles avec les systèmes d'enregistrement vidéo numérique DV-R et sont prêts pour la télévision haute définition numérique. Autant les signaux de porteuse que les signaux en bande large sont pris en charge par notre circuit. En fait, la perte au niveau de la bande passante est de moins de 0,1 dB à 1 GHz!

Pour brancher vos câbles à ces dispositifs de protection en ligne, il vous suffit de suivre les indications in et out indiquées à côté des connecteurs Telco, Cable et Satellite.

Remarque :

Il est impossible d'obtenir un circuit de protection en ligne sans entretien pour lignes coaxiales de câblodistribution et lignes de signaux par satellite, comme nous l'avons fait pour les modèles de 120 V c.a. Cela nécessiterait une largeur de bande réduite ne permettant pas la transmission du signal. Sous des conditions extrêmes, il est possible que la suppression de la surtension d'un de ces dispositifs soit sacrifiée à la suite d'un événement catastrophique. Si les lignes téléphoniques, les lignes coaxiales de câblodistribution et les lignes de signaux par satellite ne sont plus protégées, veuillez contacter le représentant de votre région, votre installateur ou Furman aux fins de réparation. Puisque ces circuits sont modulaires, leur remplacement par un module TVSS peut s'effectuer en quelques secondes. Pour tester cette situation, il vous suffit de débrancher le câble avec connecteurs d'entrée et de sortie de l'unité Elite-15 PF i. Branchez le connecteur d'entrée sur le composant qui recevait précédemment le connecteur de sortie de façon à outrepasser le circuit de protection en ligne. S'il y a présence du signal (alors qu'il n'y en avait pas en utilisant l'unité Elite-15 PF i), cela signifie que le circuit de protection est endommagé (en supposant qu'il fonctionnait normalement avant l'orage ou l'événement catastrophique).

Garantie

Furman Sound, LLC garantit à l'acheteur original de l'unité Furman Elite-15i, que ce produit sera exempt de tout défaut de matériel et de fabrication pendant une période de trois ans à compter de la date d'achat. L'acheteur de ce produit a quinze jours à compter de la date d'achat pour compléter par Internet (sur le site Web de Furman) ou par la poste l'enregistrement dudit produit aux fins de garantie, faute de quoi l'acheteur verra sa période de garantie réduite à un an à compter de la date d'achat. Advenant que le produit ne fonctionne pas tel que spécifié ci-dessus au cours de la période de garantie limitée, l'acheteur doit informer Furman par écrit des prétendus défauts. Si le type et la nature des défauts sont couverts par la présente garantie, Furman autorisera l'acheteur à retourner le produit à l'usine Furman ou à un centre de réparation autorisé de Furman. Les demandes au titre de la garantie devraient être accompagnées d'une copie de la facture originale indiquant la date d'achat; sauf dans le cas où un Enregistrement de garantie (Warranty Registration) a été complété en postant une fiche de garantie dûment remplie ou en ligne par le biais du site Web de Furman. Les frais d'expédition à l'usine Furman ou à un centre de réparation autorisé de Furman sont assumés à l'avance par l'acheteur du produit. Furman s'engage à fournir à ses frais un produit de remplacement ou, à sa seule discrétion, à réparer le produit défectueux. Les frais d'expédition aux fins de retour à l'acheteur seront assumés par Furman.

GARANTIE COUVRANT L'ÉQUIPEMENT CONNECTÉ : la garantie de Furman Sound concernant l'équipement connecté couvre l'équipement endommagé par la tension transitoire (un « Événement ») alors qu'il est adéquatement connecté par l'entremise de l'unité Furman Elite-15i à une ligne d'alimentation c.a. correctement câblée avec une mise à la terre à l'intérieur d'un lieu. La garantie de Furman Sound couvrant l'équipement connecté est limitée au montant de la franchise prévue à la police d'assurance de biens meubles de l'acheteur jusqu'à concurrence de 500 \$. Pour toute demande au titre de cette garantie couvrant l'équipement connecté, l'acheteur doit envoyer à Furman une copie de sa demande de réclamation au titre de son assurance de biens meubles relativement à l'équipement endommagé et compléter le formulaire de demande au titre de la garantie de Furman couvrant l'équipement connecté (appelez Furman au (707) 763-1010 pour obtenir ce formulaire). Furman se réserve le droit d'examiner le produit Furman endommagé, l'équipement connecté qui a été endommagé et le lieu où les dommages sont survenus. Tous les frais d'expédition d'un équipement endommagé à Furman aux fins d'inspection doivent être assumés par l'acheteur. L'équipement endommagé doit être disponible aux fins d'inspection jusqu'à la fin du traitement de la demande. La garantie de Furman couvrant l'équipement connecté est également valable pour une période de trois ans, à moins que l'acheteur ne complète pas l'enregistrement de garantie dans les quinze jours suivant la date d'achat, délai après lequel la garantie couvrant l'équipement connecté sera réduite à un an à compter de la date d'achat. Toutes les garanties contenues dans les présentes sont nulles et sans effet si : le limiteur de surtension de Furman en fonction pendant l'événement n'est pas envoyé à Furman (à la charge de l'acheteur) aux fins d'inspection à la demande de Furman; Furman détermine que le limiteur de surtension de Furman a été ouvert, incorrectement installé, modifié de façon quelconque ou trafiqué; Furman détermine que les dommages ne résultent pas de l'Événement ou qu'aucun Événement n'a eu lieu; ou si Furman détermine que l'équipement connecté n'a pas été utilisé sous des conditions normales d'utilisation ou selon les

instructions proposées par le Fabricant de l'équipement connecté. Tous les limiteurs de surtension de Furman doivent être reliés directement à une ligne d'alimentation c.a. adéquatement câblée avec une mise à la terre de sécurité et ne doivent pas être connectés en série avec d'autres lisières à prises multiples, UPS, limiteurs de surtension, adaptateurs à deux et à trois broches ou autres rallonges. De telles installations auraient pour effet d'annuler la présente garantie. La garantie de Furman couvre uniquement les dommages causés à l'équipement correctement connecté dans le cas où Furman, à sa seule discrétion, a jugé qu'ils résultent d'un Événement. Elle ne couvre pas les dommages attribuables à l'un ou l'autre des cas fortuits (autre que la foudre) suivants : inondation, tremblement de terre, guerre, acte de terrorisme, acte de vandalisme, vol, usure normale, usage abusif, mauvais traitement, érosion, déplétion, désuétude, dommages résultant d'une basse tension (c.-à-d. panne de courant localisée ou baisse de tension), programme non autorisé, modification ou altération de l'équipement. En aucun cas vous ne devez utiliser ce produit avec une génératrice, un appareil de chauffage, une pompe de puisard, un appareil dont l'utilisation est liée à l'eau, un appareil de maintien en vie, un appareil médical, une automobile, une motocyclette, ou un chargeur de batterie de voiturette de golf. À utiliser à l'intérieur et dans un endroit sec seulement. Toutes les garanties contenues dans les présentes seront nulles et sans effet si le produit est utilisé de quelque façon que ce soit avec tout appareil susmentionné.

CETTE GARANTIE REMPLACE TOUTES LES AUTRES GARANTIES, EXPRESSES OU IMPLICITES, Y COMPRIS MAIS SANS S'Y LIMITER, TOUTES LES GARANTIES IMPLICITES DE COMMERCIALISABILITÉ ET DE CONFORMITÉ A UN USAGE PARTICULIER.

La garantie de Furman ne couvre pas les dommages ou défauts résultant d'un usage ou d'une manipulation inappropriée ou anormale du produit; les dommages ou défauts résultant d'une installation inadéquate; les défauts d'un produit ou de composants non fabriqués par Furman; les dommages résultant de l'utilisation de produits ou de composants non fabriqués par Furman. Furman se réserve le droit d'annuler cette garantie dans l'éventualité où le produit a été modifié de quelque façon que ce soit sans l'autorisation écrite de Furman. De plus, cette garantie ne s'applique pas aux produits qui ont été altérés ou réparés par des personnes autre que celles dont il est fait mention dans l'autorisation écrite de Furman.

CETTE GARANTIE EST EXCLUSIVE. L'obligation exclusive de Furman consiste à réparer ou à remplacer le produit défectueux de la façon et pendant la période susmentionnées. Furman n'a aucune autre obligation relativement à ce produit ou à toute pièce de celui-ci, qu'elle soit basée sur le contrat, la négligence, la responsabilité stricte ou autre. En aucun cas, que ce soit en vertu de cette garantie limitée ou autre, Furman ne sera responsable des dommages consécutifs, spéciaux ou indirects.

TOUT ÉNONCÉ ORAL OU ÉCRIT de la part des employés ou des représentants de Furman **NE CONSTITUE PAS UNE GARANTIE**, ne doit pas être pris en compte par l'acheteur et ne fait pas partie du contrat de vente ou de cette garantie limitée. Cette garantie limitée expose l'intégralité de l'obligation de Furman relativement au produit. Si une partie de cette garantie limitée est jugée nulle ou illégale, le reste demeure en vigueur. Les demandes en vertu de la garantie devraient être accompagnées d'une copie de la facture originale indiquant la date d'achat; sauf dans le cas où un Enregistrement de garantie (Warranty Registration) a été complété en postant une fiche de garantie à la suite de l'achat ou le produit a été enregistré en ligne. Avant de retourner tout équipement aux fins de réparation, veuillez vous assurer qu'il est adéquatement emballé et protégé contre les dommages pouvant survenir en cours de transport, et qu'il est assuré.

Spécifications

Capacité de courant c.a. :

Entrée : intensité de 15 A requise

Sortie : intensité efficace de 11 à 15 A (maximum, toutes les prises combinées – en continu)

Atténuation du bruit :

Mode transversal (différentiel)

> 40 dB de 10 kHz à 100 kHz

> 80 dB de 100 kHz à 1 GHz

(Courbe d'atténuation linéaire avec impédance de ligne de 0,05 à 100 ohms)

Suppression de surtension transitoire

Ligne 120 V c.a.

Protection à plusieurs étages en série - non sacrificielle avec contamination nulle par la terre

Tension d'écrêtage de 188 V @ 6 000 V – 3 000 A en entrée

Arrêt en cas d'extrême tension (> 140 V c.a.)

Telco / Câble / Satellite

Perte de moins de 0.1 dB au niveau de la ligne

Consommation d'énergie

12 W pour l'affichage et les circuits de commande indépendamment de la charge réelle

Prises :

1 (prise avec technologie de filtrage linéaire – panneau avant)

4 (prises audio-vidéo avec technologie de filtrage linéaire – 2 commutables avec la fonction de déclenchement 12 V)

4 (prises avec technologie de filtrage linéaire et filtrage ultrasonore additionnel pour les composants numériques ou vidéo – 2 commutables avec la fonction de déclenchement 12 V)

4 (prises d'amplificateur avec technologie de correction du facteur de puissance, réserve d'intensité efficace de 3 A, charge résistive, charge de courant de crête de plus de 45 A, 2 prises commutables avec délai de 5 secondes avec la fonction de déclenchement 12 V)

Dimensions (H x L x P) :

10,16 x 43,18 x 37,46 cm / 4 x 17 x 14,75 po (format 1 U standard sans les pieds)

Poids :

6,8 kg (15 lb)

Características del Elite-15 PF i

- Tecnología de Factor de Potencia que provee arriba de 45 amperes de corriente pico excesiva de carga por medio de amplificadores de alto desempeño.
- Tecnología de Filtraje Linear de ancho de banda completo para una claridad de audio y video sin igual
- Provee la Protección en Serie Multi-Etapa que virtualmente mantiene libre y suprime los picos de voltaje o corriente de AC
- Circuitos de protección contra contaminación de tierra cero que protege excelentemente componentes y equipos digitales.
- Posee lámparas de LED retractiles para iluminar un rack o gabinete lleno de equipo
- Voltaje de 12V "disparable" para control remoto

Introducción

Por más de 34 años, Furman ha sido pionero en el desarrollo de productos de alimentación de AC para los más demandantes profesionales de broadcast, audio y video. Aunque la necesidad de optimizar la alimentación de AC no es algo nuevo, la tecnología de Factor de Potencia del Elite-15 y su única implementación son revolucionarias y sin par.

Las extremas demandas de AC que encontramos en el mundo profesional del audio y video han requerido desarrollos tecnológicos que van muchos más allá de los productos que típicamente encontramos en aplicaciones caseras de cine en casa o audio-filos. En estudios, sonido en vivo, radio y televisión las interrupciones de alimentación son inaceptables. Un equipo que falla o que tiene un desempeño pobre es costoso. Lo mismo aplica para los cines en casa de hoy. Nuestra solución se basa en la tecnología, una extensa experiencia en ingeniería y una calidad de construcción robusta que ha contestado al desafío de trabajar con las contaminadas líneas de alimentación de hoy día, y que han conducido a la creación del Elite-15 PF i.

Las líneas de alimentación de hoy día están plagadas de ruido de RF (Radio Frecuencia) e IEM (Interferencia Electro Magnética). Cuando conectas equipo sensible a las terminales de alimentación de tu casa, el ruido de AC se filtra a los componentes más críticos de tu sistema. El ruido de AC enmascara señales de bajo nivel y deteriora el desempeño del equipo. El contenido de nivel bajo es crítico porque estos poseen muchos armónicos y ambiente cruciales en audio también como la claridad y profundidad en video. Con la exclusiva tecnología de Filtraje Linear de Furman las televisiones, proyectores, DVD, amplificadores y procesadores se alimentaran con AC linealmente filtrada. Lo anterior reduce dramáticamente el ruido, asegurando una operación consistente en picos no importando las condiciones de carga o el tiempo de uso al día. Por primera vez verás y escucharas tu sistema de cine en casa o tu sistema de audio como debería de ser, sin compromisos.

Otra característica crítica es nuestra exclusiva protección en Serie Multi-Etapa. Esta supresión que no sacrifica picos asegura el más alto nivel de protección de AC, sin entregar su "vida" cuando un pico es severo- sin daños al equipo, sin llamadas a servicio, sin tiempo perdido. Además, nuestras famosas lámparas retractiles de LED en el panel delantero permiten una visión sencilla del equipo montado en el gabinete o rack aún cuando las luces de su teatro o sala estén apagadas.

Al centro del Elite-15 PF i se encuentra nuestro único circuito con Tecnología de Factor de Potencia Transiente. Por primera vez, los componentes analógicos, digitales y de video de bajo nivel no serán modulados o afectados por las extremas demandas de corriente de AC al amplificador de potencia. Además, el amplificador de potencia ve una fuente de alimentación de AC altamente filtrada y de una extrema baja impedancia. El Elite-15 PF i, de hecho, tiene una corriente continua de reserva en exceso de 3 amperes (arriba de 45 amperes pico) para las demandas de alimentación pico más extremas. Esta Tecnología permite que los amplificadores de potencia y los subwoofers activos operen con eficiencia en picos, alcanzando niveles de desempeño previamente inalcanzables.

El desempeño de su amplificador ya no estará a la merced de la alimentación de AC entrante a su hogar o de dispositivos de filtraje y protección de AC de nivel inferior. El efecto de la "red" es como si su amplificador de potencia doblara virtualmente su potencia y mejorara inmensurablemente en calidad.

Cuando emplee el Elite-15 PF i, notara una claridad e imponente enfoque del sonido y las imágenes visuales de su sistema. Las presentaciones de video serán realmente coloridas y reales, con una gran definición en la escala de grises y negros además de un notable mejoramiento en la profundidad y claridad. Los transitorios sónicos serán rápidamente definidos con bajos

fundamentales que sacudirán todo con su peso e impacto visceral. Las frecuencias medias y altas se reproducirán suavemente y no dejara de deslumbrarse mientras las imágenes mejoran drásticamente y todo el resto de las virtudes inherentes a su sistema sean verdaderas y notorias para usted.

Instalacion

Desempaque

Antes de desempacar su unidad, inspeccione el cartón por cualquier daño severo obvio en la caja y/o en los materiales internos de protección. Si hay un probable daño interno, contacte al transportista que entrego la unidad antes de desempacarlo. Si, después de desempacarlo, un daño por el envío es evidente, contacte al transportista. Guarde y conserve todos los materiales de empaquetado y envío ya que los necesitará si tiene que regresar la unidad a la fábrica por servicio.

La caja debe de contener una unidad de Elite-15 PF i, cable de AC desmontable, un kit de montaje en rack, manual de usuario y garantía. Si algo de lo anterior falta por favor contacte al centro de servicio al cliente de Furman. Llene, complete y regrese la garantía. El registro se recomienda porque se puede usar para establecer si la unidad esta dentro del periodo de garantía aún cuando sus documentos originales se hayan perdido además de que nos ayuda a informarle sobre actualizaciones u otra información vital.

Información de seguridad- Advertencias

Por favor lea y observe todas las instrucciones de operación y seguridad antes de operar y hacer funcionar el Elite-15 PF i. Conserve y guarde esas instrucciones para referencias futuras.

- No desarme ni modifique nada. No hay partes de servicio reemplazables por el usuario.
- Manténgalo lejos de humedad y evite la humedad excesiva.
- No permite que líquidos u objetos extraños entren a la unidad

El Elite-15 PF i debe mandarse a servicio con personal calificado cuando:

- Cuando el cable de alimentación y/o la clavija hayan sido dañados o cortados
- Cuando a la unidad le hayan caído objetos o se le haya derramado un líquido
- Cuando se haya expuesto a la lluvia u otra humedad
- Cuando parezca que no esta operando de forma normal o exhiba un marcado cambio en su desempeño
- Cuando se haya caído o se haya dañado su armazón

El Elite-15 PF i necesita una tierra física segura para su correcta operación.

Fuente de Alimentación

La fuente de alimentación en la cual se conecta el Elite-15 PF i debe ser adecuada para manejar 15 amperes. El Elite-15 PF i opera con enchufes de 10 amperes, sin embargo, puede existir un "disparo" del circuito "breaker" que hay en el panel delantero si la corriente continua de drenaje del sistema excede los 10 amperes.

Colocación

El Elite-15 PF i se manufactura con cuatro patas de goma para su colocación en cualquier mesa, gabinete, repisa, mueble o piso. Las patas de goma pueden ser removidas fácilmente con un desarmador Philips Estándar cuando se vaya a montar en rack adyacentemente a otro componente. La colocación o proximidad a otros componentes no es crítica y el Elite-15 PF i no produce ningún calor negativo bajo condiciones normales de uso. El Elite-15 PF i también se puede montar en un rack estándar de 19" colocando sus orejas para rack. Estas orejas para rack (contenidas en la bolsa plástica del kit de montaje en rack) se colocan o montan con la porción trasera del panel frontal del Elite-15 PF i. Se colocan en el chasis del mismo instalando cada oreja para rack con 3 tornillos contenidos en el kit de montaje en rack del Elite-15 PF i. El tercer tornillo usado para cada oreja de rack es para el hoyo del centro, localizado hacia atrás y ayuda a estabilizar la unidad cuando se monta en rack.

Conexion

Cable de AC

Una vez que el Elite-15 PF i es colocado, su conector hembra de AC deberá ser conectado en el conector IEC macho localizado en la parte inferior izquierda del panel trasero (Viendo de frente el panel trasero). Después, el cable con conector Edison macho de AC deberá ser conectado a un enchufe apropiado (Vea el rango de corriente recomendado arriba).

Conectando componentes a las terminales de AC de componentes de Video

El Elite-15 PF i tiene cuatro enchufes de AC de "Video Componentes" que son empleados para componentes de video críticos tales como reproductores de DVD, proyectores, Plasmas o pantallas de video LCD. Cuando emplee el Elite 15 PF i para sistemas de audio de 2 canales, un preamplificador y/o un reproductor de CD estos enchufes serán suficientes para ellos. Dos enchufes se pueden trabajar con un voltaje de "disparo" de 12V y dos no.

Conectando componentes a las terminales de AC Audio-Audio Video con Filtraje Linear

El Elite-15 PF i tiene 4 enchufes de AC en la parte trasera y 1 en el panel frontal denominadas "Audio-Audio Video con Filtraje Linear" que se emplearán para conectar los componentes no conectados en los enchufes de AC de "Video Componentes" con excepción de receptores, amplificadores de potencia y subwoofers activos. Estos enchufes aún poseen un excepcional filtraje de ruido de AC para maximizar el desempeño del sistema. Dos enchufes se pueden trabajar con un voltaje de "disparo" de 12V y dos no.

Conectando componentes a las terminales de AC de Amplificador de Potencia de Alta Corriente

Todos los amplificadores de potencia, receptores y subwoofers activos deberán ser conectados a estar cuatro terminales.

Muchos sistemas de cine en casa Premium o de nivel audiofilo combinan demandas de corriente continua debajo de los 15 amperes. Es raro, de hecho, que amplificadores de potencia grandes demanden más de 4 amperes de corriente continua. Para un desempeño superior, es vital que un filtro de AC posea una extraordinaria baja impedancia y que tenga la capacidad de dejar pasar picos de corriente de demanda lejos del exceso del rango de corriente (continua) RMS.

El Elite 15 PF i fue diseñado para funcionar más allá que esta demanda. Adicionalmente, nuestro circuito de Tecnología de Factor de Potencia Transiente efectivamente crea una corriente de reserva en exceso de 45 amperes pico que es más limpia y rápida que una línea dedicada de su estación de alimentación local. Esta característica elimina cualquier preocupación con respecto a la compresión de corriente que es el resultado del uso de acondicionadores de línea típicos y la reserva de potencia pico beneficia dramáticamente el desempeño de cualquier amplificador de potencia. Dos terminales están etiquetadas como "unswitched" y dos tienen un retraso de 5 segundos cuando se utilizan con un voltaje de "disparo" de 12V.

Voltaje de 12V "disparado"- Interruptor y encendido con retraso

El Elite-15 PF i posee un enchufe frontal y 6 en la parte trasera que siempre están encendidos, una vez que el interruptor de alimentación frontal sea encendido. Los 6 enchufes en la parte trasera restantes etiquetados como "switched-switched delay on" requieren un dispositivo que "dispare" un voltaje de 12V tales como los típicamente encontrados en muchos receptores y pre-amplificadores de audio. La entrada para los 12V de "disparo" es un mini-jack mono hembra. Un producto adicional (tal como un subwoofer remoto) puede ser conectado en cadena (Daisy-chained) de la salida de 12V para manejar una unidad más controlada por "disparo".

Para aquellos que no quieran utilizar el voltaje de "disparo" de 12V, un conveniente botón de "bypass" esta localizado adyacente a los jacks de entrada y salida. Presionando este botón, todos los enchufes operarán cuando el interruptor de alimentación frontal sea encendido.

Advertencia: ¡Si el botón de "bypass" de los 12V no se presiona, 6 enchufes no entregaran voltaje hasta que un voltaje de "disparo" de 12V este presente! Cualquier componente de control primario tal como un receptor con control remoto universal maestro deberá ser conectado a un enchufe "unswitched", Si no lo hace, una vez que el control remoto universal se apague, no habrá manera de restablecer la alimentación al receptor vía control remoto.

Nota sobre la Tecnología de Factor de Potencia y consumo de Potencia

Cuando la Tecnología de Factor de Potencia se emplea con, aún, los más sofisticados circuitos "breakers", esta se agrega eficazmente a la carga actual que perciba. Aunque el Elite-15 PF i fue diseñado para una operación constante a 15 amperes, la demanda de corriente pico exige muchas veces que la máxima corriente continua total de drenaje deberá ser limitada entre 1400 a 1750Watts por Elite-15 PF i empleado.

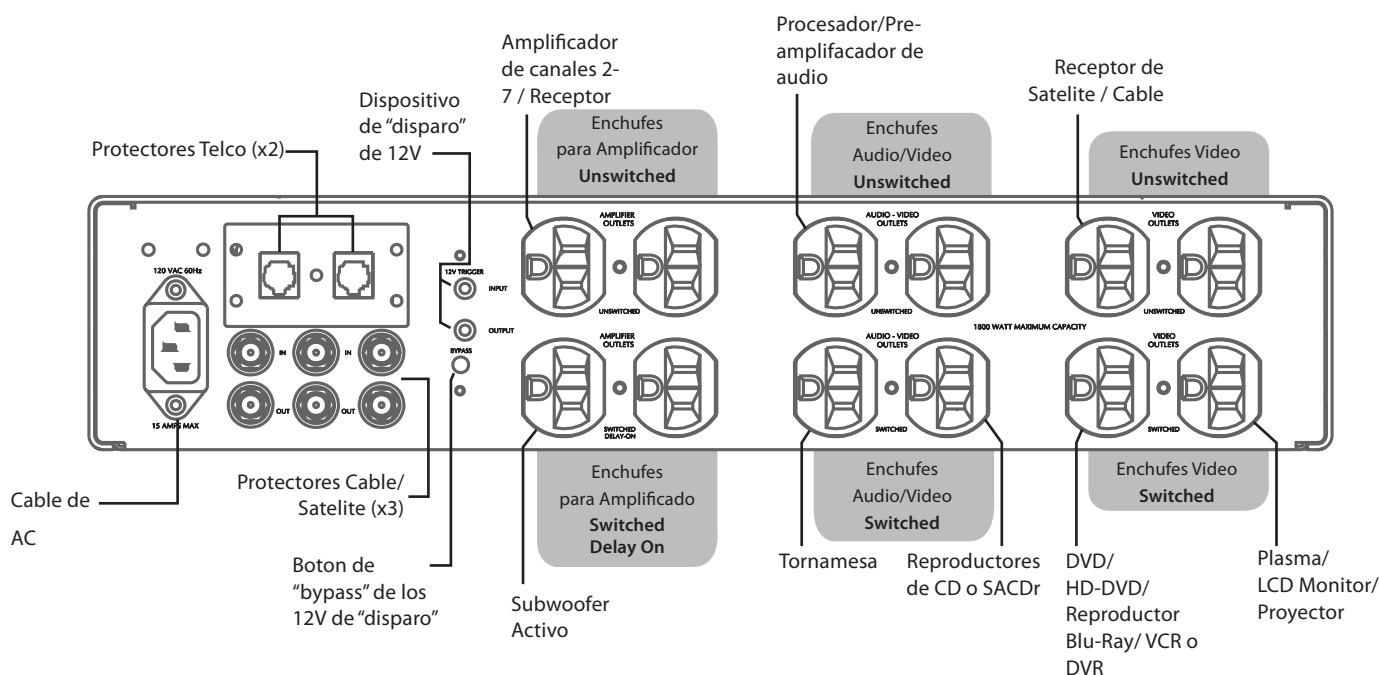
Para la corriente RMS disponible antes de que existan variaciones del circuito "Breaker" debido a qué se refiere cómo vector de carga. Simplemente ponga, el tipo de fuentes de alimentación o circuitos electrónicos conectados al Elite-15 PF i y que tendrían un efecto en éste circuito "Breaker" para la carga actual percibida, y por lo tanto, cuando se disparará. Aunque las ventajas de la Tecnología de Factor de Potencia compense la pequeña reducción en la corriente de drenaje continua, debe ser considerada cuando se construya o diseñe un sistema grande con demanda de corriente alta.

La corriente continua total de drenaje de muchos componentes electrónicos típicamente se describe o menciona en Watts por su cable de entrada de AC o conector de AC. El rango de Watts es simplemente sumado para determinar la corriente total RMS de drenaje del sistema. Se debe notar también que la circuitería de la Tecnología de Factor de Potencia del Elite-15 PF i no tiene un efecto actual en el trazado de potencia de su medidor de alimentación para sus aplicaciones. El Elite-15 PF i trazara meramente 8.5Watts independientemente de otros componentes, entonces se puede dejar prendido todo el tiempo.

Lamparas retractiles en el panel delantero y control de intensidad (dimmer)

El Elite-15 PF i incluye un control de intensidad en el panel frontal para las 2 lámparas retráctiles colocadas en el panel delantero. La perilla de control de intensidad modifica la brillantez de las dos lámparas. Rótela en dirección a las manecillas del reloj para incrementar la brillantez, rótela de forma inversa para disminuir la misma. Cuando los tubos de las lámparas están totalmente metidos en el panel delantero, el circuito de luz se apaga por medio de un micro-interruptor interno. Si los tubos de luz están totalmente afuera o muy cerca de estar totalmente metidos en el panel delantero, no habrá un calor apreciable con respecto al ajuste del control de intensidad debido a la eficiencia de nuestros LED's de espectro de luz completa.

Conexiones de AC Sugieras



Inicio suave- Uso continuo y tiempo de Break

Cuando se le aplica alimentación por primera vez al Elite-15 PF i (El interruptor de encendido-Breaker debe ser colocado en la posición de "on" o prendido) la función de inicio suave esta activada. Se escuchará un sonido audible de "clack" cuando el Elite-15 PF i sea prendido o apagado por primera vez. Este sonido es producido por el circuito de Inicio Suave (Relevador) de 30 amperes de inicio suave cuando se acopla o desacopla. No hay virtualmente nada en la construcción del Elite-15 PF i, en su diseño o componentes usados para determinar el tiempo de vida del

producto y no hay un consumo de energía o alimentación considerable que medir en su servicio eléctrico más que el del LED indicador de alimentación, las lámparas, y los circuitos relevadores. Por esta razón el Elite-15 PF i se debe dejar con su palanca de alimentación encendida permanentemente ya que el costo es insignificante por mes. Este es un beneficio adicional, ya que muchos audio/videófilo encuentran un significativo mejoramiento en el desempeño cuando se dejan componentes de baja alimentación permanentemente cargados (encendidos). De hecho, esto es verdad y se cumple con el Elite-15 PF i. Aunque funcionará perfectamente desde que se saque de su caja de cartón de envío, el desempeño de sus circuitos mejorara después de aproximadamente 2 semanas de uso continuo o de "disparo" ("Break-in").

Supresión de picos transitorios de voltaje de AC y apagado por voltaje extremo

Indicador de apagado por voltaje extremo

El LED esta normalmente apagado. Este monitorea fallas en el cableado de AC- por ejemplo, una conexión accidental de un punto neutro a alimentación de 208 o 240VAC (esto ocurre comúnmente si un enchufe de 15 amperes no tiene una línea dedicada, pero en su lugar se ha cableado con un neutro conectado en cadena (daisy chained) del centro de carga de la casa). El circuito de Protección en Serie Multi-Etapa (SMP, Series Multi-stage Protection) sensa el voltaje que es muy alto y con el cual es imposible operar y deshabilita la alimentación antes de que pueda existir algún daño. Al iniciar la alimentación de esta unidad, el LED indicador de Voltaje Extremo se encenderá si la entrada de voltaje esta arriba del umbral de voltaje extremo en donde se apaga y la alimentación no se liberará a los enchufes de la unidad. Si la unidad se ha estado operando con una entrada de voltaje aceptable y subsecuentemente este voltaje excede 140V o cae debajo de 85V, se apagara y no enviará voltaje a los enchufes además de que la luz de Voltaje Extremo se encenderá. El circuito tentativamente se reajustará automáticamente en 5 segundos, de esta forma el reajuste manual solamente será necesario si existen fallas de cableado permanentes.

Indicador de Protección OK

Aunque el circuito de Furman SMP asegura virtualmente una protección libre de mantenimiento de picos y transitorios de voltaje, la naturaleza genera ocasionalmente fuerzas eléctricas que van más allá de las capacidades de cualquier dispositivo supresor de picos trascientes de voltaje y que serán absorbidas con un grado de daño. En el extraño caso de que ocurra, el LED de color Azul localizado al centro del panel delantero parpadeará, aun así la alimentación de AC estará presente en los enchufes de la unidad. Si esto pasara, algún nivel de protección de los picos de voltaje quedará o se mantendrá pero el rango de voltaje protegido por Furman no será el correcto. La unidad deberá ser enviada a Furman Sound o a un centro de servicio autorizado por Furman para su reparación.

Nota: Si la alimentación principal esta arriba del umbral de voltaje alto y esto causará que la unidad no libere alimentación a los enchufes de la unidad, la alimentación no se podrá reestablecer sin que el operador manualmente apague la unidad y luego la encienda. Evite encender de regreso la unidad, sin primeramente haber revisado la fuente del problema y quizás cambiarla fuente de AC.

Supresor de picos transitorios de voltaje para cable-satelite-Telco

El Elite-15 PF i posee un supresor de picos transitorios de voltaje para líneas telefónicas estándar y líneas de cable y/o satélite que utilizan conectores coaxiales estándar. Como estos supresores de picos están en línea, requerirán un cable adicional para conectarlo de su salida al dispositivo de control que requiere protección.

Todos los supresores de picos en línea poseen nuestra exclusiva tecnología de contaminación de tierra libre. Esto ayuda a eliminar ruido de audio, y ruido vistas como barras en el video que resultan por el uso de supresores en línea típicos. Además,

nuestros supresores de cable y satélite son amigables con DVR y están preparados para televisión digital de Alta Definición. Señales con portadoras de DC así como señales con anchos de banda amplios pueden pasar a través de nuestro circuito. De hecho la pérdida es menor a 0.1dB a 1GHz de ancho de banda.

Para conectar su cable a través de estos protectores en línea, simplemente siga los indicadores de “entrada” (IN) y “salida” (OUT) marcados al lado del Telco, conectores de Cable y Satélite.

Nota: *No es posible hacer que un protector en línea de cable y/o satélite sea “libre de mantenimiento” como se realiza con uno para línea de 120VAC. Eso necesita un ancho de banda de señal limitado que no permita pasar a la señal. Bajo condiciones extremas, es posible que un supresor de picos en uno de estos dispositivos se pueda sacrificar después de un evento catastrófico. Si la señal del teléfono, cable o satélite no pasa más por nuestro protector, por favor contacte a un representante de servicio local, instalador o a Furman para su servicio. Puesto que estos circuitos son modulares, el reemplazo se puede lograr en segundos con un módulo nuevo de TVSS. Para probar esto, simplemente desconecte el cable que entra y sale del Elite-15 PF i. Conecte el conector de entrada al componente que antes recibía el conector de salida, así estará saltándose la protección en línea. Si la señal esta presente (pero no cuando se usa el Elite-15 PF i) entonces el circuito de protección esta dañado (asuma que éste trabajo adecuadamente antes de una tormenta o un evento catastrófico).*

Garantía

Furman Sound, LCC. Garantiza al comprador original de este producto, el Elite-15 PF i de Furman, que el producto esta libre de defectos en materiales y fabricación por un periodo de 3 años a partir de la fecha de compra. Al comprador de este producto se le permite que en los 15 días después de la compra llene el registro de garantía y lo envíe por correo o en línea en la página de Internet de Furman. Si el comprador falla en completar el registro ya mencionado, el periodo de garantía se reducirá a 1 año a partir del día de compra.

Si el producto no cumple con esta garantía limitada durante el periodo de garantía (como se especifico arriba), el comprador debe de notificarlo a Furman de manera escrita describiendo los defectos. Si los defectos son del tipo y naturaleza que esta garantía cubre, Furman autorizará al comprador a regresar el producto a la fábrica de Furman o a un centro de servicio local autorizado por Furman. La reclamación de garantía deberá de ser acompañada por una copia de la factura original de compra mostrando la fecha de compra; esto no es necesario si el registro de la garantía se ha completado ya sea habiendo enviado la tarjeta de garantía llena por correo o habiéndose registrado en línea en el sitio de Internet de Furman. Los cargos de envío a la fábrica de Furman o al centro de servicio local autorizado por Furman deberán ser realizados por el comprador y por adelantado. Furman deberá, bajo su propio costo, reparar o reemplazar el producto defectuoso, según las opciones que tenga Furman. Los gastos de envío de regreso del producto al comprador serán pagados por Furman.

Garantía de equipo conectado: La garantía de equipo conectado de Furman Sound cubre equipo que es dañado por voltajes transitorios (en “ocurrencia”) cuando esta correctamente conectado a través del Elite-15 PF i y cuando éste esta conectado a una línea de AC con una tierra física de protección en un lugar interior o cerrado. La garantía de equipo conectado de Furman se limita a la cantidad del deducible en la póliza personal de seguro del comprador y que es de arriba de \$500.00. Para demandar o reclamar esta garantía de equipo conectado, el comprador debe enviar una copia de su reclamo de póliza de seguro personal por el equipo dañado a Furman y completar la forma de reclamo de la garantía de equipo conectado de Furman (llamar a Furman al (707) 763-1010 para obtener la forma). Furman se reserva el derecho de revisar el producto Furman dañado, el equipo conectado dañado y el sitio donde ocurrió el daño. Todos los costos de envío del equipo dañado a Furman para inspección deben ser cubiertos por el comprador. El equipo dañado debe estar disponible para inspección hasta que el reclamo haya finalizado. La garantía de equipo conectado también tiene una vigencia de 3 años a menos que el comprador no complete el registro de garantía en los 15 días después del día de compra, al tiempo en el cual, el periodo de la garantía de equipo conectado también se reduce a 1 año a partir del día de compra.

Todas las garantías contenidas adjuntas son nulas e inválidas si: El protector de picos de Furman en uso durante el evento no se provee a Furman para inspección por requerimiento de Furman y que es el único gasto para el comprador, Furman determinará que el protector de picos se ha abierto, se ha instalado de manera incorrecta, alterado de alguna forma o tratado

de forzar, Furman determinará que el daño no es resultado de lo ocurrido o no ocurrido en el lugar o Furman determinará que el equipo conectado no fue usado bajo condiciones normales de operación o en correspondencia con las instrucciones del fabricante para conectar equipo. Todos los protectores de picos de Furman deben ser conectados directamente a una línea de alimentación de AC apropiadamente cableada con tierra física y no debe de estar conectada en cadena (Daisy-chained) en serie con otras tiras de alimentación, Fuentes de alimentación (UPS, Universal Power Supply), otros protectores de picos, adaptadores de 3 terminales a 2, o cables de extensión. Cualquier instalación de este tipo invalidará esta garantía. La garantía de Furman solo protege contra daño de equipo propiamente conectado donde Furman ha determinado, a su única discreción, que el daño resultante de lo ocurrido y que no se pudo proteger contra actos de Dios (otros que no son luz) tales como inundaciones, terremotos, guerra, terrorismo, vandalismo, robo, desgaste y rasguños por uso normal, erosión, agotamiento, obsolescencia, abuso, daño debido a disturbios de bajo voltaje (sobrecargas de centro de carga, entre otros), programas no autorizados o alteración o modificación del equipo en el sistema. No use este producto de ninguna manera con un generador, calentador, bombas de aceite, dispositivos relacionados con agua, dispositivos para apoyo a la vida, como dispositivo médico, en automóviles, motocicletas o como cargador de baterías para carros de golf. Para uso en interiores solamente y en áreas secas. Todas las garantías contenidas adjuntas son nulas e inválidas si se usa de cualquier forma con alguno de los dispositivos ya mencionados.

LA PRECEDENTE ESTÁ EN LUGAR DEL RESTO Y TODAS LAS GARANTÍAS, EXPRESAS O IMPLICADAS, INCLUYENDO PERO NO LIMITADO A LAS GARANTÍAS IMPLICADAS DE MERCADIBILIZACIÓN Y APTITUD PARA UN PROPOSITO ESPECÍFICO.

Furman No garantiza contra daños y defectos que se presenten por un uso anormal o impropio, o por manejo del producto; contra defectos o daños que se presenten por una instalación inapropiada, contra defectos en productos o componentes no manufacturados por Furman, o contra daños resultantes de productos o componentes no hechos para Furman o de Furman. Esta garantía puede ser cancelada por Furman a su discreción si el producto es modificado de alguna manera sin autorización escrita por Furman. Esta garantía también no aplicará a productos sobre los cuales las reparaciones se hayan hecho o hayan sido realizadas por personas que no han sido autorizadas por Furman de manera escrita.

LA GARANTÍA ES EXCLUSIVA. La única y exclusiva obligación de Furman será reparar o reponer el producto defectuoso en la manera y por el periodo descrito anteriormente. Furman no tendrá ninguna otra obligación con respecto a este producto o cualquiera de sus partes si está basado en contrato, agravio, responsabilidad terminante, o de otra manera. Bajo ninguna circunstancia, si está basado en esta garantía limitada o de otra manera, Furman no esta obligado por daños incidentales, especiales o consecuentes. Las declaraciones o acuerdos orales o escritos con empleados o representantes de Furman **NO CONSTITUYEN GARANTÍAS**, no será confiado por el comprador y no son parte del contrato de venta o de esta garantía limitada. Esta garantía limitada mantiene la entera obligación de Furman con respecto al producto. Si alguna parte de esta garantía limitada se determina inválida o ilegal, el resto permanecerá con toda la fuerza y efecto.

El reclamo de garantía deberá acompañarse de una copia de la factura de compra original donde se muestre la fecha de compra (Si la tarjeta de registro de garantía fue enviada por correo en el periodo de compra o si el producto fue registrado en línea, esto no es necesario). Antes de regresar cualquier equipo para reparación, asegúrese que esta debidamente empaquetado y amortiguado contra daños de transportación y que esta asegurado.

Especificaciones

Capacidad de corriente de AC

Entrada- Capacidad requerida de 15 amperes

Salida- 11 a 15 amperes RMS (máximo, todas las terminales combinadas y continuas)

Atenuación de Ruido Linear

Modo Transversal (Diferencial):

>40dB de 10kHz a 100kHz.

>80dB de 100kHz a 1GHz.

(Curva de atenuación linear de 0.05 a 100Ω de impedancia de línea)

Supresión de picos de voltaje transitorios

120 VAC – Protección en Serie Multi-Etapa – No sacrificadorio con cero contaminación de tierra
(188V pico @ 6000V, 3000A de entrada)

Apagado de Voltaje Extremo (>140 VAC)

Telco Cable / Satélite (menor a 0.1dB de pérdida por inserción)

Consumo

12Watts por los circuitos de control y display independiente de la carga

Terminales o enchufes

1 (enchufe con filtraje linear, panel delantero)

4 (enchufes con filtraje lineal, audio-video, 2 con opciones de voltaje de "disparo" de 12V)

4 (enchufes con filtraje linear con filtraje ultrasónico adicional para componentes de video. 2 con opción de voltaje de "disparo" de 12V)

4 (enchufes para amplificador con Tecnología de Factor de Potencia -,reserva de 3 amperes RMS-carga resistiva, arriba de 45 amperes pico, 2 con 5 segundos de retraso vía voltaje de "disparo" de 12V))

Dimensiones

4" H x 17" W x 14.75" D (10.16cm H x 43cm W x 38cm D) (1 espacio de rack sin patas de goma)

Peso

15lbs (7kg)

Notes: 

Notes: 

Notes: 

FURMAN[®]

1690 Corporate Circle • Petaluma, California, USA 94954

Phone: 877-486-4738 • Fax: 707-763-1310

www.FurmanSound.com