

# geratech<sup>®</sup>

## EGE-CT-3HP

Digital to Headphone Audio Converter





# EGE-CT-3HP

Digital to Headphone Audio Converter



## DISCLAIMERS

The information in this manual has been carefully checked and is believed to be accurate. Geratech Technology assumes no responsibility for any infringements of patents or other rights of third parties which may result from its use. Geratech Technology assumes no responsibility for any inaccuracies that may be contained in this document. Geratech also makes no commitment to update or to keep current the information contained in this document. Geratech Technology reserves the right to make improvements to this document and/or product at any time and without notice.

## COPYRIGHT NOTICE

No part of this document may be reproduced, transmitted, transcribed, stored in a retrieval system, or any of its part translated into any language or computer file, in any form or by any means— electronic, mechanical, magnetic, optical, chemical, manual, or otherwise— without express written permission and consent from

Geratech Technology.

© Copyright 2011 by Geratech Technology.

All Rights Reserved.

Version 1.1 August 2011

## TRADEMARK ACKNOWLEDGMENTS

All products or service names mentioned in this document may be trademarks of the companies with which they are associated.

# EGE-CT-3HP

## Digital to Headphone Audio Converter



### SAFETY PRECAUTIONS

Please read all instructions before attempting to unpack, install or operate this equipment and before connecting the power supply.

Please keep the following in mind as you unpack and install this equipment:

- Always follow basic safety precautions to reduce the risk of fire, electrical shock and injury to persons.
- To prevent fire or shock hazard, do not expose the unit to rain, moisture or install this product near water.
- Never spill liquid of any kind on or into this product.
- Never push an object of any kind into this product through any openings or empty slots in the unit, as you may damage parts inside the unit.
- Do not attach the power supply cabling to building surfaces.
- Use only the supplied power supply unit (PSU). Do not use the PSU if it is damaged.
- Do not allow anything to rest on the power cabling or allow any weight to be placed upon it or any person walk on it.
- To protect the unit from overheating, do not block any vents or openings in the unit housing that provide ventilation and allow for sufficient space for air to circulate around the unit.

### REVISION HISTORY

VERSION NO.	DATE DD/MM/YY	SUMMARY OF CHANGE
VS1	25/11/11	First Release

# EGE-CT-3HP

Digital to Headphone Audio Converter



## CONTENTS

<b>1. Introduction</b> .....	<b>4</b>
<b>2. Applications</b> .....	<b>4</b>
<b>3. Package Contents</b> .....	<b>4</b>
<b>4. System Requirements</b> .....	<b>4</b>
<b>5. Features</b> .....	<b>4</b>
<b>6. Operation Controls and Functions</b> .....	<b>5</b>
6.1 Upper Panel .....	5
6.2 Lower Panel .....	5
6.3 Left Panel .....	6
6.4 Right Panel .....	6
6.5 Top Panel .....	7
<b>7. Connection Diagram</b> .....	<b>8</b>
<b>8. Specifications</b> .....	<b>9</b>
<b>9. Acronyms</b> .....	<b>9</b>

# EGE-CT-3HP

## Digital to Headphone Audio Converter



### 1. INTRODUCTION

The Digital to Headphone Audio converter is an easy to use device that converts and amplifies (200 mW Cap-Less) Coaxial or Optical digital audio into analogue headphone audio. This device can switch between Coaxial or Optical sources and also has a convenient volume control.

### 2. APPLICATIONS

- Converting a Digital Coaxial or Optical input to analogue headphone output

### 3. PACKAGE CONTENTS

- Digital to Headphone Audio Converter
- 3.3 V/1.5 A DC Power Adaptor
- Operation Manual

### 4. SYSTEM REQUIREMENTS

Input source equipment with digital audio output such as CD Player or DVD/Blu-ray player and 3.5 mm stereo jack output to headphone.

### 5. FEATURES

- Supports up to 192 K/24-bit digital audio input (Coaxial/Optical) Supports 2 channel PCM from Coaxial/Optical input
- Built-in 200 mW Cap-Less Headphone amp
- Compact size and easy to install

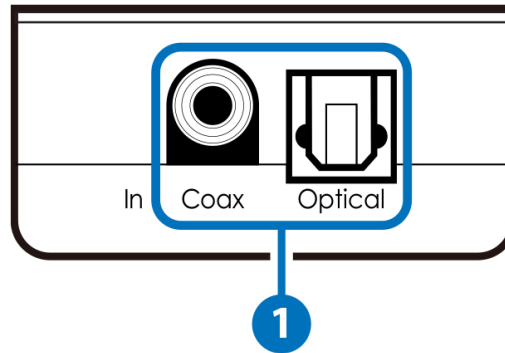
# EGE-CT-3HP

## Digital to Headphone Audio Converter



## 6. OPERATION CONTROLS AND FUNCTIONS

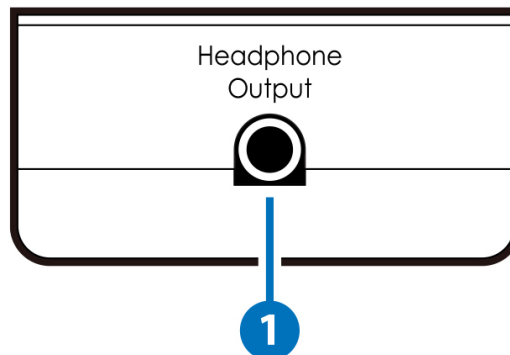
### 6.1 Upper Panel



#### 1 Coax/Optical Input

Connect the Coaxial/Optical inputs into the Coaxial/Optical audio source such as DVD/Blu-ray player or Set Top Box.

### 6.2 Lower Panel



#### 1 Headphone Output

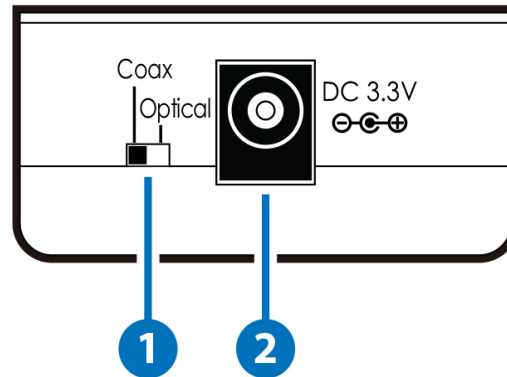
Connect the 3.5 mm phone jack headphone and enjoy digital audio from either Coaxial/Optical input.

# EGE-CT-3HP

## Digital to Headphone Audio Converter



### 6.3 Left Panel



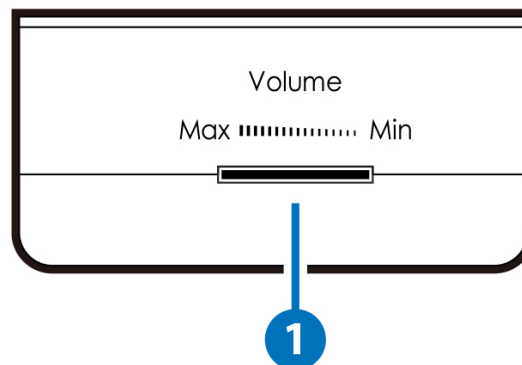
#### 1 Coax/Optical Switcher

Moving the switch determines which input Audio source is active and will be converted to headphone stereo audio.

#### 2 Power

Plug 3.3 V DC power supply into the unit and connect the adaptor to AC wall outlet.

### 6.4 Right Panel



#### 1 Headphone Volume

Adjusts the headphone output volume.

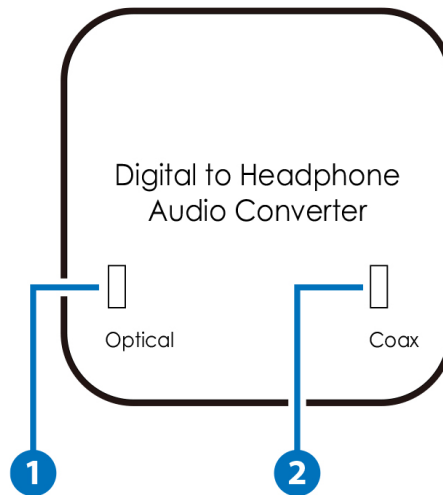


# EGE-CT-3HP

Digital to Headphone Audio Converter



## 6.5 Top Panel



1 / 2

**Optical/Coax Input LED**

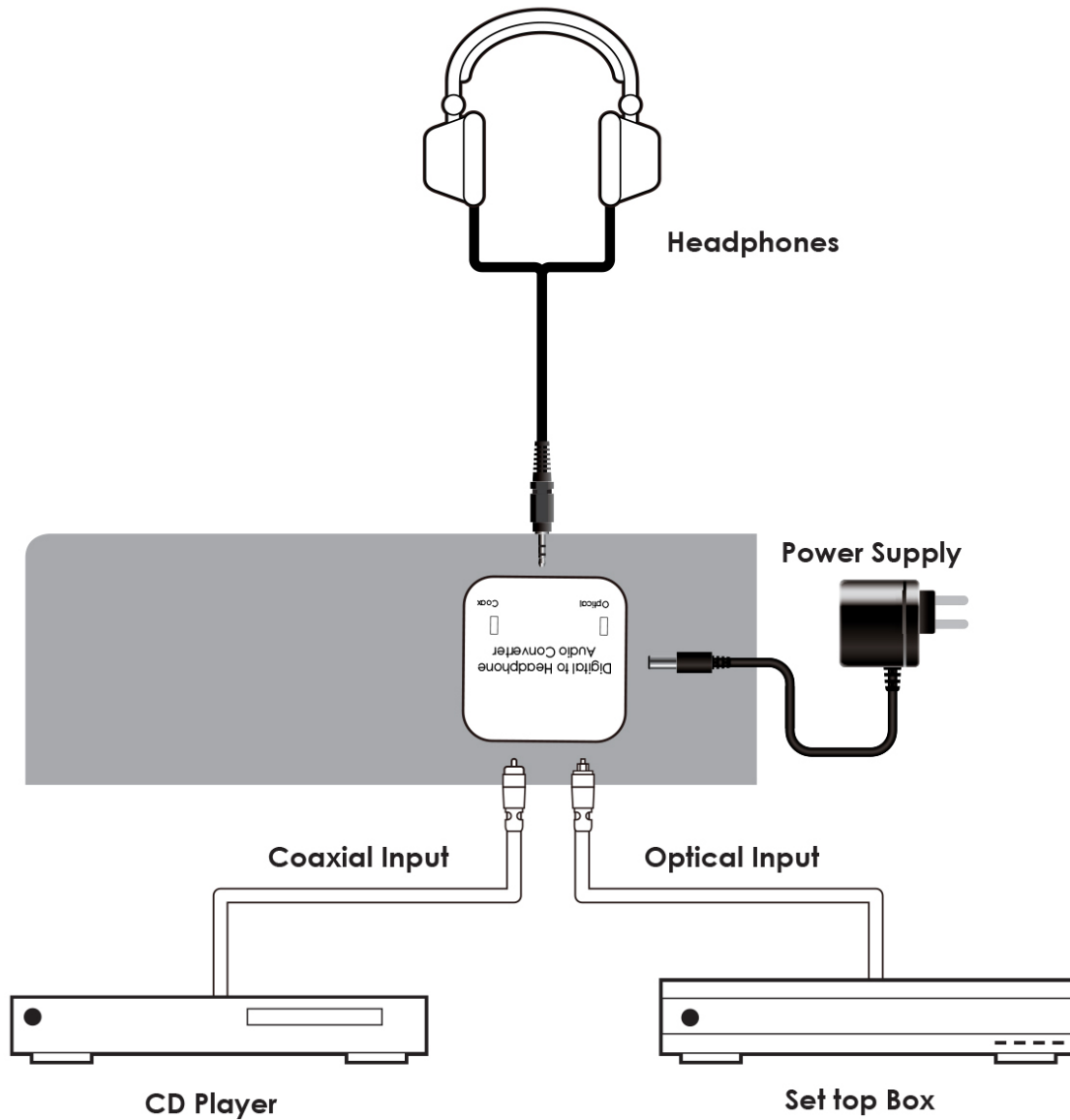
**When lit, indicates which digital output is selected.**

# EGE-CT-3HP

Digital to Headphone Audio Converter



## 7. CONNECTION DIAGRAM



# EGE-CT-3HP

Digital to Headphone Audio Converter



## 8. SPECIFICATIONS

<b>Input Ports</b>	Coaxial and Optical
<b>Input Format</b>	SPDIF PCM 2 CH
<b>Sample Frequency</b>	3.5 mm Headphone jack
<b>Output Ports</b>	480p ~ 1080p, VGA ~ WUXGA
<b>Output power</b>	200 mW
<b>Headphone Impedance</b>	16 $\Omega$ ~ 32 $\Omega$
<b>Power Supply</b>	3.3 V/1.5 A power adaptor (US/EU standards, CE/FCC/UL certified)
<b>Dimensions</b>	42 mm (W) × 40.5 mm(D) × 22 mm(H)
<b>Weight</b>	25 g
<b>Chassis Material</b>	Plastic
<b>Silkscreen Color</b>	White
<b>Operating Temperature</b>	0 °C~40 °C
<b>Power Consumption</b>	0.7 W

## 9. ACRONYMS

ACRONYM	COMPLETE TERM
ESD	Electrostatic Discharge
LED	Light-emitting Diode



# geratech®



[www.geratech.com.tr](http://www.geratech.com.tr)  
[www.egerate.com](http://www.egerate.com)