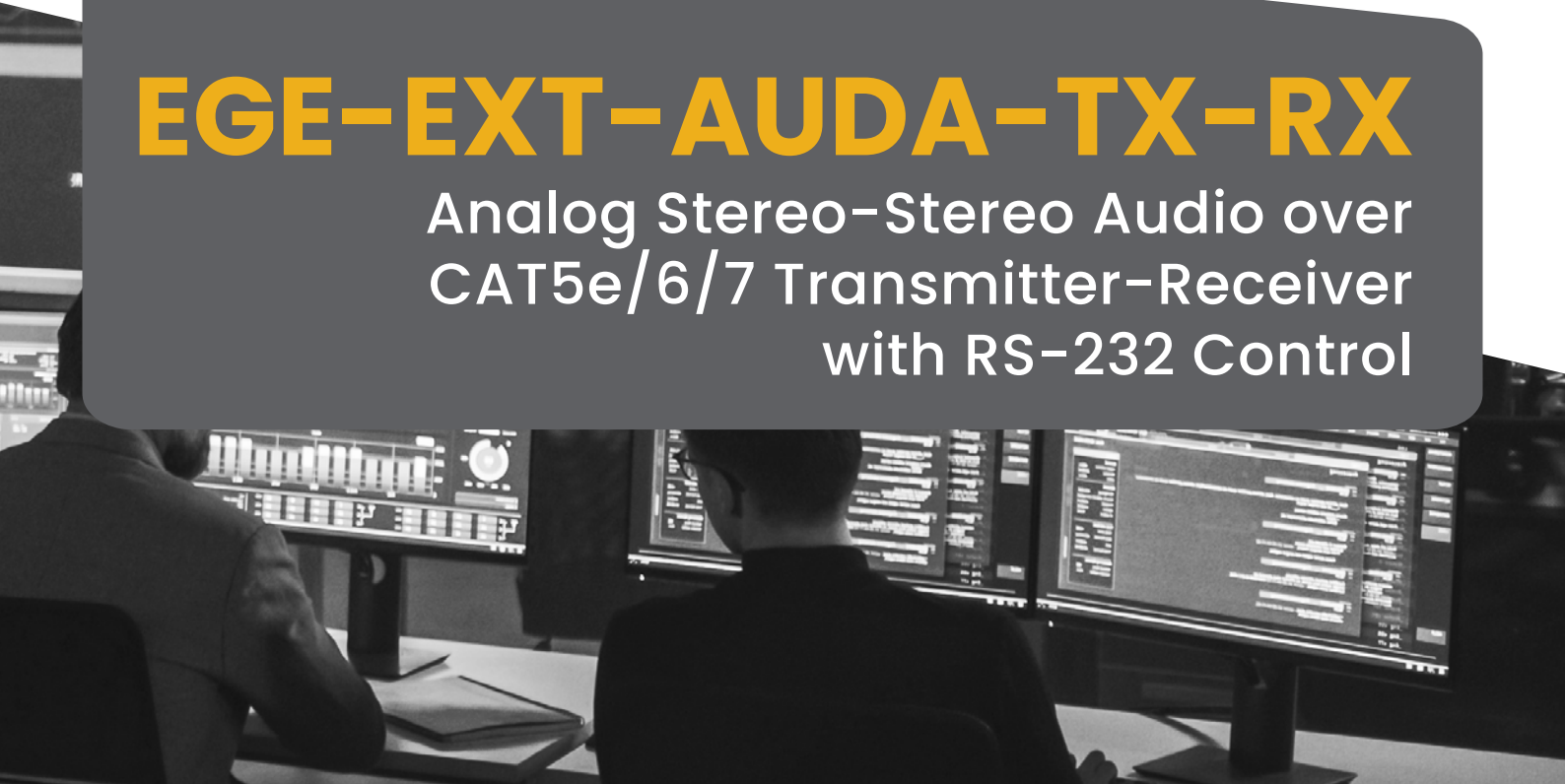


geratech<sup>®</sup>



## EGE-EXT-AUDA-TX-RX

Analog Stereo-Stereo Audio over  
CAT5e/6/7 Transmitter-Receiver  
with RS-232 Control



**DISCLAIMERS**

The information in this manual has been carefully checked and is believed to be accurate. Geratech assumes no responsibility for any infringements of patents or other rights of third parties which may result from its use.

Geratech assumes no responsibility for any inaccuracies that may be contained in this document. Geratech also makes no commitment to update or to keep current the information contained in this document.

Geratech reserves the right to make improvements to this document and/or product at any time and without notice.

**COPYRIGHT NOTICE**

No part of this document may be reproduced, transmitted, transcribed, stored in a retrieval system, or any of its part translated into any language or computer file, in any form or by any means—electronic, mechanical, magnetic, optical, chemical, manual, or otherwise—without express written permission and consent from Geratech.

© Copyright 2014 by Geratech.

All Rights Reserved.

Version 1.0 June 2014

**TRADEMARK ACKNOWLEDGMENTS**

All products or service names mentioned in this document may be trademarks of the companies with which they are associated.

## SAFETY PRECAUTIONS

Please read all instructions before attempting to unpack, install or operate this equipment and before connecting the power supply.

Please keep the following in mind as you unpack and install this equipment:

- Always follow basic safety precautions to reduce the risk of fire, electrical shock and injury to persons.
- To prevent fire or shock hazard, do not expose the unit to rain, moisture or install this product near water.
- Never spill liquid of any kind on or into this product.
- Never push an object of any kind into this product through any openings or empty slots in the unit, as you may damage parts inside the unit.
- Do not attach the power supply cabling to building surfaces.
- Use only the supplied power supply unit (PSU). Do not use the PSU if it is damaged.
- Do not allow anything to rest on the power cabling or allow any weight to be placed upon it or any person walk on it.
- To protect the unit from overheating, do not block any vents or openings in the unit housing that provide ventilation and allow for sufficient space for air to circulate around the unit.

## REVISION HISTORY

VERSION NO.	DATE DD/MM/YY	SUMMARY OF CHANGE
RDV1	15/01/14	Preliminary Release
RDV2	24/06/14	Connection Diagram

**CONTENTS**

<b>1. Introduction</b> .....	<b>1</b>
<b>2. Applications</b> .....	<b>1</b>
<b>3. Package Contents</b> .....	<b>1</b>
<b>4. System Requirements</b> .....	<b>1</b>
<b>5. Features</b> .....	<b>1</b>
<b>6. Operation Controls and Functions</b> .....	<b>2</b>
6.1 Front Panels .....	2
6.2 Rear Panel.....	2
6.3 RS-232 Pin Definition.....	3
<b>7. Connection Diagram</b> .....	<b>4</b>
<b>8. Specifications</b> .....	<b>5</b>



## 1. INTRODUCTION

The Analog Stereo Audio and RS-232 over CAT5e/6/7 extender is design to extend analog stereo audio over a single run of CAT5e/6/7 cable up to 300m. With Bi-directional RS-232 control and PoC features added these units can be used with Receiver or Transmitter unit that supports RS-232 device control and one-way power supply.

## 2. APPLICATIONS

- Home sound system extension
- Conference and meeting room audio system sharing
- Showroom audio extension

## 3. PACKAGE CONTENTS

- 1 x Analog stereo audio Transmitter
- 1 x Analog stereo audio Receiver
- 1 x 12V power Adaptor
- Operation Manual

## 4. SYSTEM REQUIREMENTS

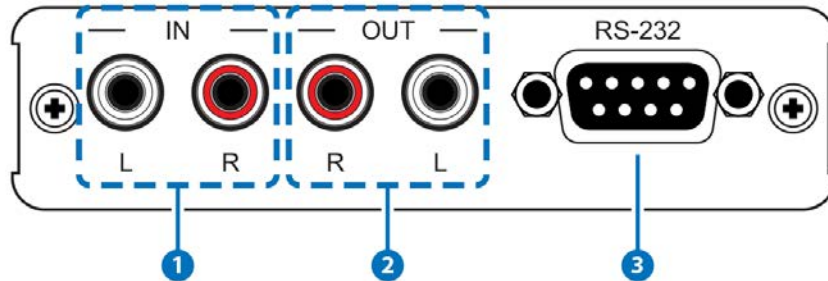
- Input source equipment such as Blu-ray/DVD/PS3 player or Set-Top-Box with L/R output and output connect to audio amplifier with L/R input.

## 5. FEATURES

- Supports Analog stereo audio and RS-232 extension over a signal CAT5e/6/7 cable up to 300 meters
- Supports Power over Cable (PoC) to Receiver unit
- Bi-directional RS-232 control

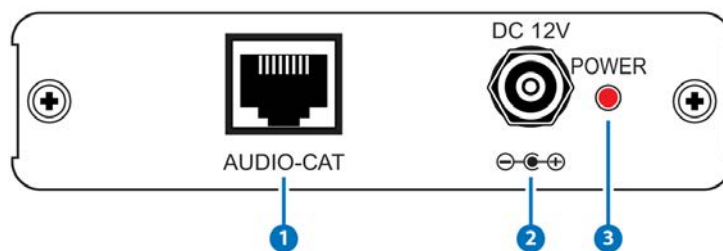
## 6. OPERATION CONTROLS AND FUNCTIONS

### 6.1 Front Panels



- 1 **L/R IN:** Connect to source equipment such as DVD/Blu-ray player, Set-Top Box or game console for audio input signal routing. Both Transmitter and Receiver have L/R in and the audio signal will send out through AUDIO-CAT to the connected device's L/R out.
- 2 **L/R OUT:** Connect to active speakers or AV amplifiers with L/R cable for audio output. Both Transmitter and Receiver have L/R out and the audio signal is received through AUDIO-CAT of the connected L/R in device.
- 3 **RS-232:** Connect from PC/Laptop for RS-232 command sending to control the device. Both Transmitter and Receiver has RS-232 jack whereas Transmitter side is with D-Sub 9-pin female jack and Receiver side is with D-Sub 9-pin male jack.

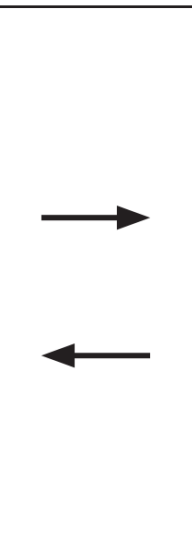
### 6.2 Rear Panel



- 1 **AUDIO-CAT:** Connect the AUDIO-CAT output to the AUDIO-CAT input of the Transmitter/Receiver unit using CAT5e/6/7 cable.
- 2 **DC 12V:** Connect the adaptor with power cord included in the package and connect to AC wall outlet for power supply. Only single end is required for power supply.
- 3 **POWER indicator:** This LED will illuminate once the device is connected with power supply.

### 6.3 RS-232 Pin Definition

		Remote Controller	
PIN	Definition	PIN	Definition
1	NC	1	NC
2	TxD	2	TxD
3	RxD	3	RxD
4	NC	4	NC
5	GND	5	GND
6	NC	6	NC
7	NC	7	NC
8	NC	8	NC
9	NC	9	NC



Baud Rate: 110 ~ 921600

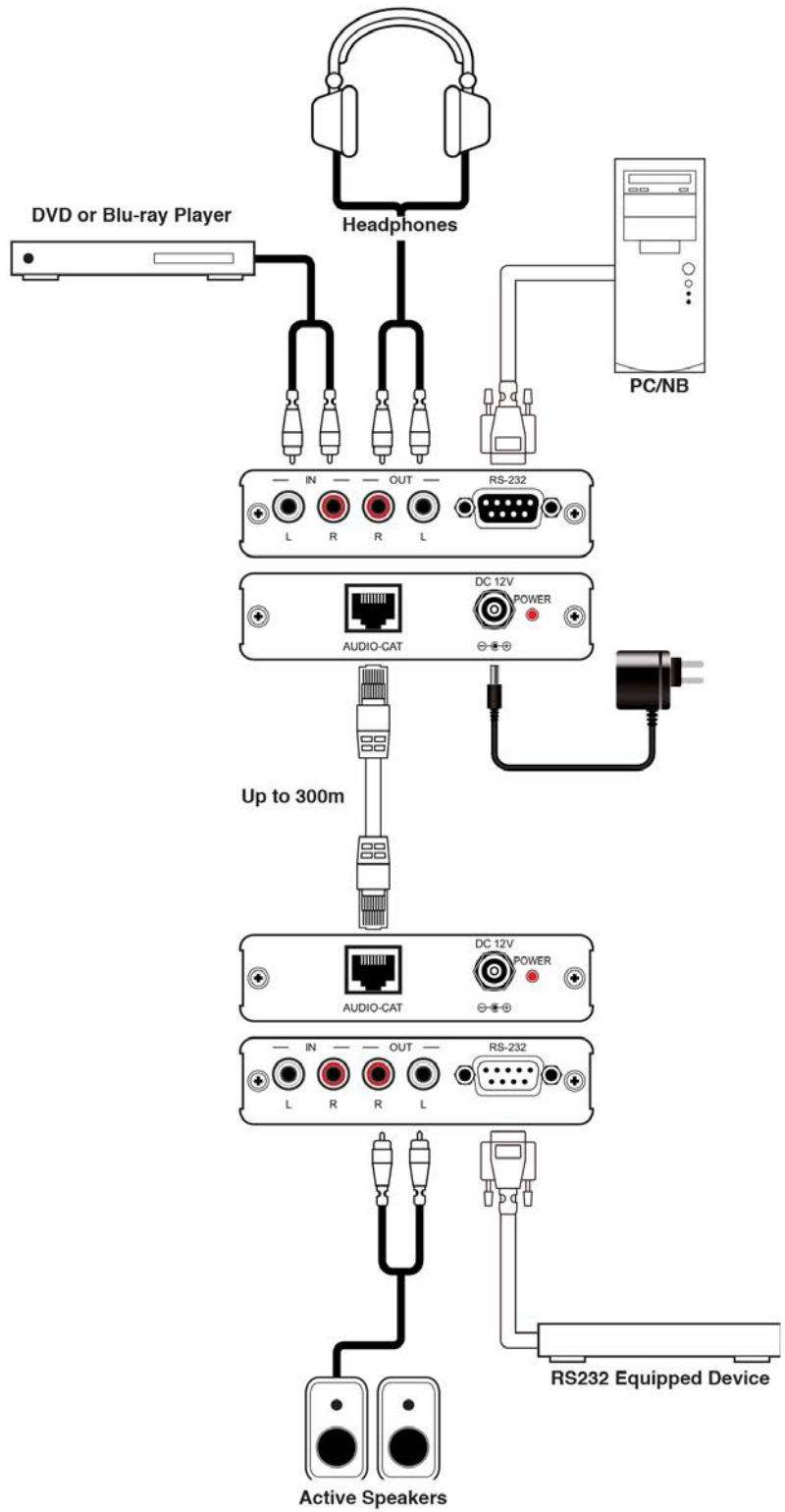
Data Bit: 8 bits

Parity: None

Stop Bit: 1 bit

Flow Control: None

**7. CONNECTION DIAGRAM**





## 8. SPECIFICATIONS

### 8.1 Technical Specifications

Transmitter	
Input Ports	1 x L/R (2-RCA) 1 x RS-232
Output ports	1 x L/R (2-RCA) 1 x AUDIO-CAT
Receiver	
Input Ports	1 x L/R (2-RCA) 1 x AUDIO-CAT
Output ports	1 x L/R (2-RCA) 1 x RS-232
Audio Formats	Analog Stereo 2CH
Output Level	
THD+N	80dB
SNR	95dB
Frequency Response	± 3 dBFS/Vrms
Crosstalk	-88dB
CAT Cable Distance	-300m
Power Supply	12VDC/1.25A (US/EU standards, CE/ FCC/UL certified)
ESD Protection	Human body model: ± 8kV (air-gap discharge) ± 4kV (contact discharge)
Dimensions	102mm (W) x 102mm (D) x 25mm (H)/ Jack Excluded 102mm (W) x 116.5mm (D) x 25mm (H)/ Jack Included
Weight	242g/each
Chassis Material	Metal
Silkscreen Color	Black
Operating Temperature	0 °C~40 °C/32 °F~104 °F
Storage Temperature	-20 °C~60 °C/-4 °F~104 °F
Relative Humidity	20~90 % RH (Non-condensing)
Power Consumption	1.65W





[www.egerate.com](http://www.egerate.com)

[www.geratech.eu](http://www.geratech.eu)