

geratech®



**EGE-TSCR-70-A**  
7" Embedded Touch PC





- Allwinner® V40 Cortex™ A7 QuadCore 1GHz Processor
- 1 GB DDR3 RAM & 8 GB EMMC

## FLASH

- Android 6.0
- Optional Bluetooth & GPS via Mini PCIe 3G and 4G support
- 10-Finger-Multi Touch Capacitive Touch Panel
- Patented IP65 front with silicon seal
- VESA 75 Mounting
- 2 year guarantee



There are currently two versions for the V40 mainboard: The standard version with W-LAN and the full version with additional Bluetooth 4.0, GPS and OTG port. This is Geratech's most cost effective yet powerful Quadcore solution for Android based platforms.

Powered by the powerful Embedded V40 Mainboard, Geratech's Embedded Touch PCs are the best solutions to industrial automation, device control and digital signage. A powerful Allwinner® V40 QuadCore CPU, Mali400MP2 graphics chipset, various connectors, e.g. USB, serial, network, TTL/UART, Mini-PCIe, HDMI, VGA, GPIO, LVDS and extended DC-In, all that makes the Embedded series perfect choice for reliable solutions.

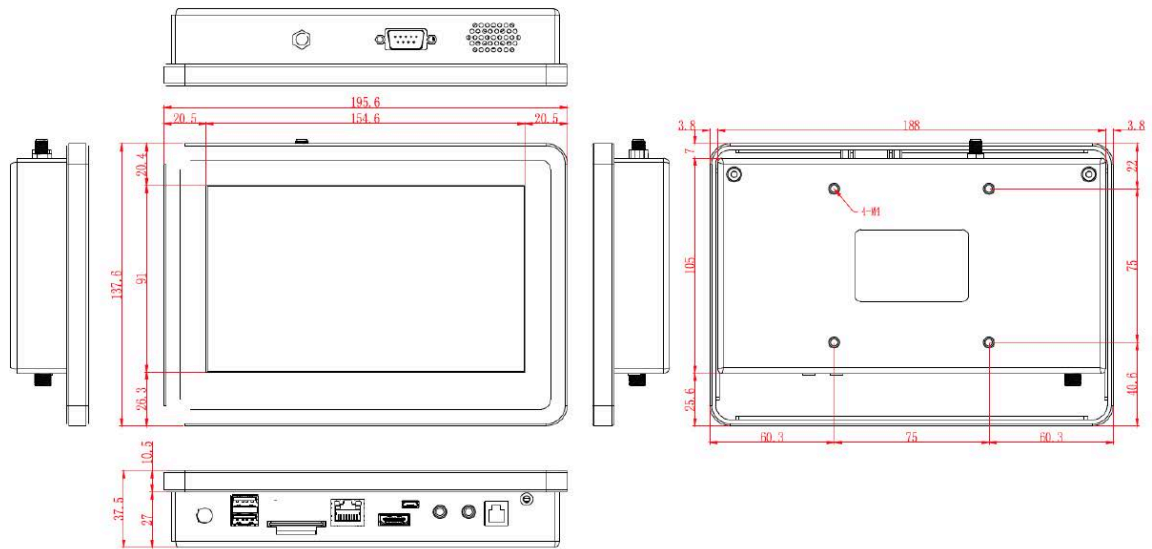
The Embedded PCs are equipped with 1G DDR3 RAM, 8G flash memory and includes a SATA connector as well as SD card slot for further storage expansion. As for network connection, the device is already integrated with Wifi, over Mini PCIe the device can be upgraded to 3G+GPS using the existing SIM card slot. The touch features capacitive 10-finger multitouch panels, Anti-glare chemical etched treatment and optionally bonded to the LED backlighting panels, backed by Geratech's warranty for pixel accuracy (A + quality).

The design of the Embedded Touch PCs follows the application: flat easy to integrate IP65 front and stable rear housing with either VESA 75 or VESA 100 mounting for fixing / integration.



<b>IP Rating</b>	
<b>IP65 Front / IP40 Back</b>	
<b>LCD Panel</b>	
Screen diagonal (Inch/cm)	7/17.78
Display active screen size (cm)	15.36×9.00
Aspect ratio	16:9
Physical resolution	1024×600
External Maximum showable resolution - HDMI	1920×1080
Colours displayed	262K
Brightness (cd/m2)	500
Contrast	700:1
Typical reaction time Tr/ Tf (ms)	10/15
Visual Angle horizontal/vertical (°)	150/145
Backlight / Backlight Lifetime (hours)	LED / 20,000
<b>Operation / Mechanical</b>	
Operating Temperature (°C)	-10 ~ +60
Humidity Range (RH)	10% - 90%
Net weight (kg)	1.00
Gross weight (kg)	2.00 (incl. cartilage)
Housing material	Rubber Front Case, Plastic Back Case
Housing (cm) L × W × H	19.56 × 13.76 × 3.75
Mounting	VESA 75
<b>Included in the Delivery</b>	
Power Supply (see Power section)	
W-LAN Antenna	
Short Installation Manual	
<b>Expansion slots</b>	
1x MiniPCle	
<b>PC System</b>	
CPU	Allwinner® V40 QuadCore
Chipset	Cortex A7
Graphic GPU	ARM® Mali400 Mp2 Complies with OpenGL ES 2.0/1.1

<b>Audio</b>	Integrated HI-FI 100dB Audio Codec Dual analog mic, 2x6W amplifier
<b>Memory</b>	1x 1GB DDR3
<b>Storage</b>	8GB EMMC Flash
<b>Network</b>	10M/100M Network; W-LAN
<b>OS</b>	Android 6.0
<b>Touch Panel</b>	
<b>Touch Technology</b>	Projected Capacitive 10-Point Multitouch
<b>Touch Connector</b>	USB
<b>Touch Life (Contacts)</b>	Unlimited
<b>Surface Hardness</b>	7H
<b>Power</b>	
<b>Power Indicator</b>	Green LED
<b>Power Supply</b>	100-240V ACDC active switching; 12V DC-Out
<b>Working Power (V)</b>	8~18
<b>Power Consumption (W)</b>	8
<b>Stand-By Consumption (W)</b>	<1
<b>Internal Connectors</b>	<b>External Connectors</b>
1x SD-card	1x 8-18V DC-In (screwable)
1x SIM-card	2x USB 2.0
2x Serial	1x USB OTG
4x TTL UART	1x Serial
2x USB 2.0	1x 10/100Mbit RJ45 Port
18/24Bit LVDS	1x Audio-In
1x Line-In	1x Audio-Out
1x Line-Out	1x W-LAN-connector
1x Amplifier for 2x6W loudspeaker	1x HDMI
1x SATA-Port	4x GPIO
1x RTC	1x SD-card slot
1x CAN Bus	1x SIM-card slot







[www.egerate.com](http://www.egerate.com)

[www.geratech.eu](http://www.geratech.eu)