

# EGE-TG1

## Trigger Control ButtonDrive





## **DISCLAIMERS**

The information in this manual has been carefully checked and is believed to be accurate. Geratech assumes no responsibility for any infringements of patents or other rights of third parties which may result from its use.

Geratech assumes no responsibility for any inaccuracies that may be contained in this document. Geratech also makes no commitment to update or to keep current the information contained in this document.

Geratech reserves the right to make improvements to this document and/or product at any time and without notice.

## **COPYRIGHT NOTICE**

No part of this document may be reproduced, transmitted, transcribed, stored in a retrieval system, or any of its part translated into any language or computer file, in any form or by any means—electronic, mechanical, magnetic, optical, chemical, manual, or otherwise—without express written permission and consent from Geratech.

© Copyright 2017 by Geratech.

All Rights Reserved.

## **TRADEMARK ACKNOWLEDGMENTS**

All products or service names mentioned in this document may be trademarks of the companies with which they are associated.

## SAFETY PRECAUTIONS

Please read all instructions before attempting to unpack, install or operate this equipment and before connecting the power supply.

Please keep the following in mind as you unpack and install this equipment:

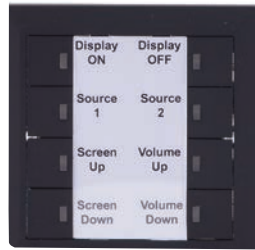
- Always follow basic safety precautions to reduce the risk of fire, electrical shock and injury to persons.
- To prevent fire or shock hazard, do not expose the unit to rain, moisture or install this product near water.
- Never spill liquid of any kind on or into this product.
- Never push an object of any kind into this product through any openings or empty slots in the unit, as you may damage parts inside the unit.
- Do not attach the power supply cabling to building surfaces.
- Use only the supplied power supply unit (PSU). Do not use the PSU if it is damaged.
- Do not allow anything to rest on the power cabling or allow any weight to be placed upon it or any person walk on it.
- To protect the unit from overheating, do not block any vents or openings in the unit housing that provide ventilation and allow for sufficient space for air to circulate around the unit.

## REVISION HISTORY

VERSION NO.	DATE DD/MM/YY	SUMMARY OF CHANGE
RDV1	23/10/16	Preliminary release
RDV2	19/04/17	Updated diagrams

## CONTENTS

<b>1. INTRODUCTION .....</b>	<b>1</b>
<b>2. APPLICATIONS .....</b>	<b>1</b>
<b>3. PACKAGE CONTENTS .....</b>	<b>1</b>
<b>4. SYSTEM REQUIREMENTS .....</b>	<b>1</b>
<b>5. FEATURES .....</b>	<b>1</b>
<b>6. OPERATION CONTROLS AND FUNCTIONS .....</b>	<b>2</b>
<b>6.1 Front Panel.....</b>	<b>2</b>
<b>6.2 Rear Panel.....</b>	<b>2</b>
<b>7. CONNECTION DIAGRAM .....</b>	<b>3</b>
<b>8. SPECIFICATIONS.....</b>	<b>4</b>



## 1. INTRODUCTION

This keypad is designed to be a simple and efficient interface for a more complex control system. This keypad features a set of 8 buttons which directly activate its 8 trigger connections which can be attached to any compatible control system. The keypad's connection cable allows for the extension of instant system control to locations that are more convenient for user interaction such as a conference table, lectern, or wall plate. The sophisticated appearance makes this keypad an elegant and decorative addition to your living or working space.

## 2. APPLICATIONS

- Smart Home Control
- Control Center
- Function Room
- Product Showroom
- Ballroom

## 3. PACKAGE CONTENTS

- 1xControl Keypad
- 2xTerminal Blocks (5-Pin)
- 2xButton Labels
- 1xOperation Manual

## 4. SYSTEM REQUIREMENTS

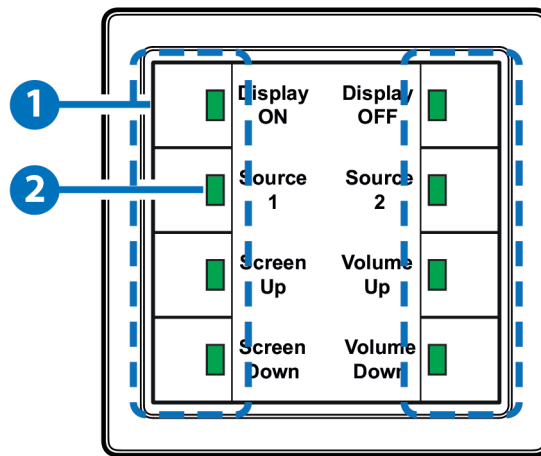
The keypad must be connected to a compatible control system that allows function or macro activation via triggers.

## 5. FEATURES

- 8 buttons linked directly to 8 triggers which are capable of instantly activating macros or functions on a connected control device
- Provides instant extended physical control of compatible control devices
- Allows for easy execution of macros (on compatible control systems) which can activate complex, multi-step, events with a single button press
- No external power supply required
- User customizable button labels
- Elegant appearance

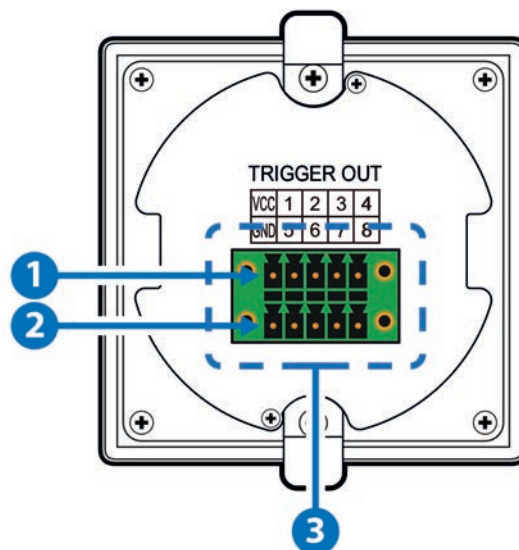
## 6. OPERATION CONTROLS AND FUNCTIONS

### 6.1 Top Panel



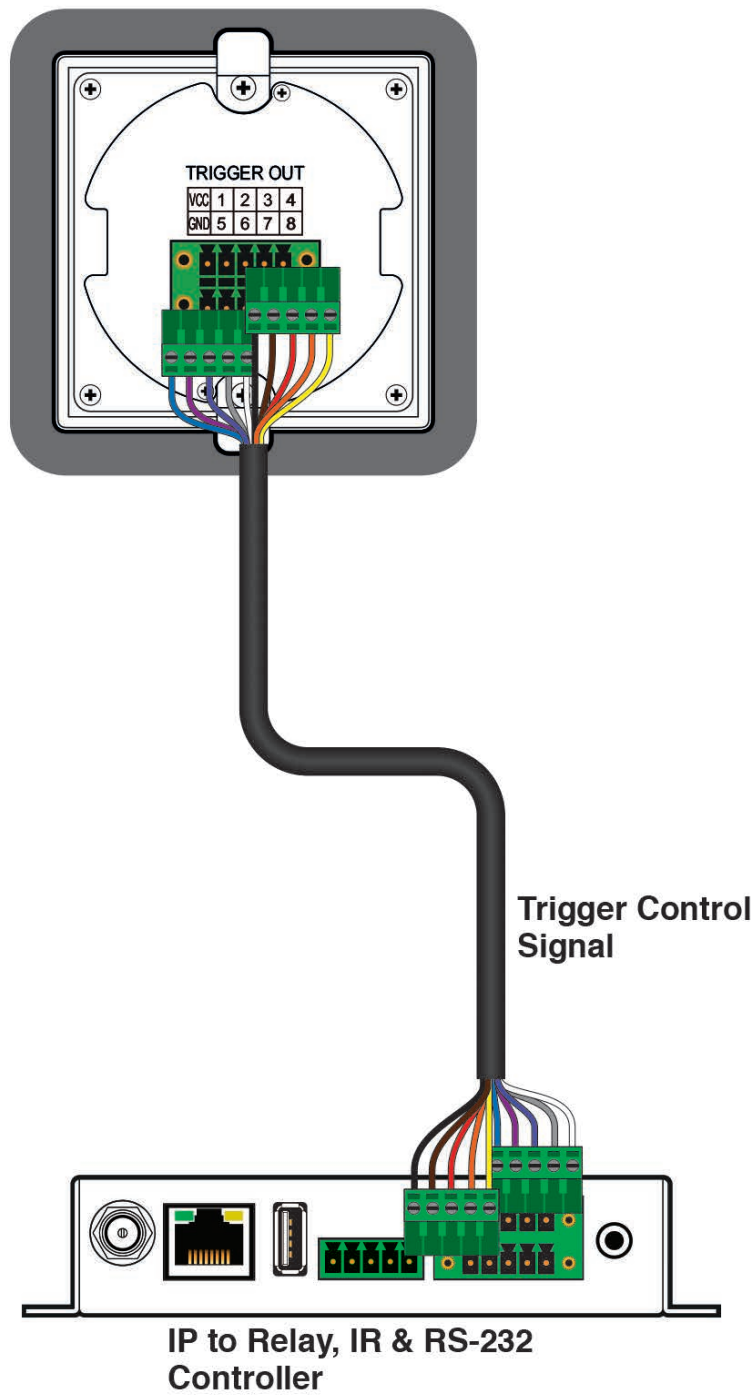
- 1 Button:** Press the button to activate the associated trigger event.  
 Note: Labeling provided as an example only. Actual button function depends the configuration of the connected control device.
- 2 LED:** The LED will light up green when the button is pressed and the trigger is activated.

### 6.2 Rear Panel



- 1 VCC:** Connect to the 5v power pin on the connected control system's trigger block.
- 2 GND:** Connect to the ground pin on the connected control system's trigger block.
- 3 TRIGGER OUT 1~8:** Connect to the individual trigger pins on the connected control system's trigger block.

## 7. CONNECTION DIAGRAM





## 8. SPECIFICATIONS

<b>Input Ports</b>	8×Buttons
<b>Output Ports</b>	8×Terminal Blocks
<b>ESD Protection</b>	Human Body Model: ±12kV (Air Discharge) ±8kV (Contact Discharge)
<b>Dimensions</b>	70mm×70mm×33mm (W×H×D) [Case Only] 70mm×70mm×33mm (W×H×D) [All Inclusive]
<b>Weight</b>	100g
<b>Chassis Material</b>	Face plate: Plastic Casing: Metal
<b>Silkscreen Color</b>	Black
<b>Operating Temperature</b>	0°C - 40°C/32°F - 104°F
<b>Storage Temperature</b>	-20°C - 60°C/-4°F - 140°F
<b>Relative Humidity</b>	20 - 90% RH (Non-condensing)





[www.egerate.com](http://www.egerate.com)

[www.geratech.eu](http://www.geratech.eu)