

geratech[®]



EGE-12VS4K

1×2 HDMI 4K2K,30p
Video Scaler



DISCLAIMERS

The information in this manual has been carefully checked and is believed to be accurate. Geratech assumes no responsibility for any infringements of patents or other rights of third parties which may result from its use.

Geratech assumes no responsibility for any inaccuracies that may be contained in this document. Geratech also makes no commitment to update or to keep current the information contained in this document.

Geratech reserves the right to make improvements to this document and/or product at any time and without notice.

COPYRIGHT NOTICE

No part of this document may be reproduced, transmitted, transcribed, stored in a retrieval system, or any of its part translated into any language or computer file, in any form or by any means—electronic, mechanical, magnetic, optical, chemical, manual, or otherwise—without express written permission and consent from Geratech.

© Copyright 2012 by Geratech.

All Rights Reserved.

Version 1.0 December 2010

TRADEMARK ACKNOWLEDGMENTS

All products or service names mentioned in this document may be trademarks of the companies with which they are associated.

Manufactured under license from Dolby Laboratories. “Dolby” and the double-D symbol are trademarks of Dolby Laboratories.



SAFETY PRECAUTIONS

Please read all instructions before attempting to unpack, install or operate this equipment and before connecting the power supply.

Please keep the following in mind as you unpack and install this equipment:

- Always follow basic safety precautions to reduce the risk of fire, electrical shock and injury to persons.
- To prevent fire or shock hazard, do not expose the unit to rain, moisture or install this product near water.
- Never spill liquid of any kind on or into this product.
- Never push an object of any kind into this product through any openings or empty slots in the unit, as you may damage parts inside the unit.
- Do not attach the power supply cabling to building surfaces.
- Use only the supplied power supply unit (PSU). Do not use the PSU if it is damaged.
- Do not allow anything to rest on the power cabling or allow any weight to be placed upon it or any person walk on it.
- To protect the unit from overheating, do not block any vents or openings in the unit housing that provide ventilation and allow for sufficient space for air to circulate around the unit.

REVISION HISTORY

VERSION NO.	DATE DD/MM/YY	SUMMARY OF CHANGE
VR0	26/03/14	Preliminary Release

CONTENTS

1. Introduction..... 1

2. Applications 1

3. Package Contents 1

4. System Requirements..... 1

5. Features..... 1

6. Operation Controls and Functions 2

 6.1 Front Panel..... 2

 6.2 Rear Panel..... 3

7. Connection Diagram 4

8. Specifications 5



1. INTRODUCTION

The HDMI 4K2K Scaler is designed to upscale 1080p@24 signal into 4K2K or downscale 4K2K signal into 1080p@24. With friendly and simple design which allows user with direct viewing on input resolution and switching output signal format up to 2 simultaneous HDMI. The HDMI 4K2K Scaler is your best media between HD and Ultra HD signal.

2. APPLICATIONS

- Ultra HDMI source displaying on standard LED TV/monitor
- Ultra HDMI source displaying on 4K2K TV/Panel
- Standard Blu-ray/DVD player source displaying on 4K2K TV/Panel
- Standard Blu-ray/DVD player source displaying on standard LED TV/monitor

3. PACKAGE CONTENTS

- 1 x HDMI 4K2K Scaler
- 1 x 5V/2.6A DC Power Supply
- 1 x User Manual

4. SYSTEM REQUIREMENTS

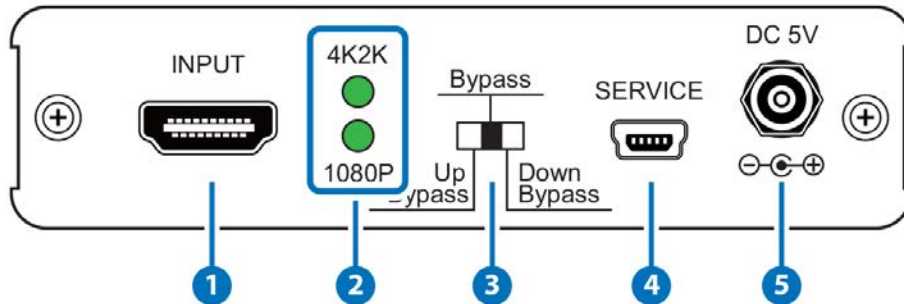
Input source equipment such as DVD/Blu-ray(4K2K) player and output HDMI (4K2K) TV/ display.

5. FEATURES

- Supports HDMI signal upscale to 4K2K or downscale to 1080p@24
- Supports HDMI signal bypass
- Simultaneous HDMI outputs
- Friendly and simple to use

6. OPERATION CONTROLS AND FUNCTIONS

6.1 Front Panel



- ❶ **INPUT:** Connect from HDMI source equipment such as Blu-ray/DVD player with or without 4K2K signal.
- ❷ **4K2K / 1080P LED:** These LED will illuminate according to input source signal's resolution when both LED are illuminating it state the input source's signal does not belong to 4K2K/1080P.
- ❸ **Bypass Switch:** Switch this switch to select the input source signal to be Up/Down Bypass or Bypass it to output display. Switch to Up/Down Bypass the Scaled output port will output 4K2K/1080p but Bypass port will output according to input source's timing.

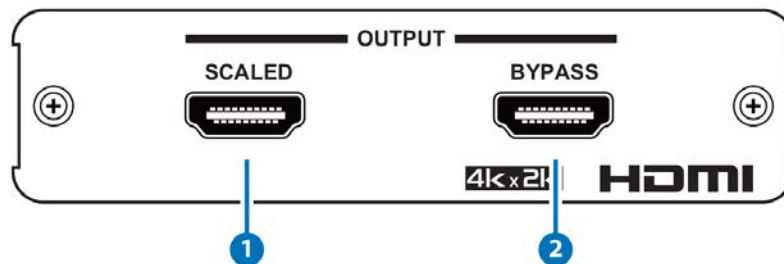
LED	Switch	Bypass	Scaled
1080P	Up	1080P	4K2K
	Down	1080P	1080P
4K2K	Up	4K2K	4K2K
	Down	4K2K	1080P

Note:

1. 1080p supports 24/25/30
2. 4K2K supports
4096 x 2160p@24
3840 x 2160p@24/25/30
3. Switch Down Bypass the input port does not supports 4096x2160p24
4. This device does not supports 3D timing under Up/Down Bypass.
5. Other Timings not listed above will be bypass always.
6. HDMI output display change require power replug in order for the device to get the new EDID.
7. Displaying HDMI 4Kx2K contents, equivalent source signal and HDMI cable are required in order to secure the quality.

- ④ **SERVICE:** This slot is reserved for factory use only.
- ⑤ **DC 5V IN:** Connect 5V DC power supply into the unit and connect the adaptor to an AC outlet. Both 4K2K & 1080P's LEDs will illuminate when power is connected.

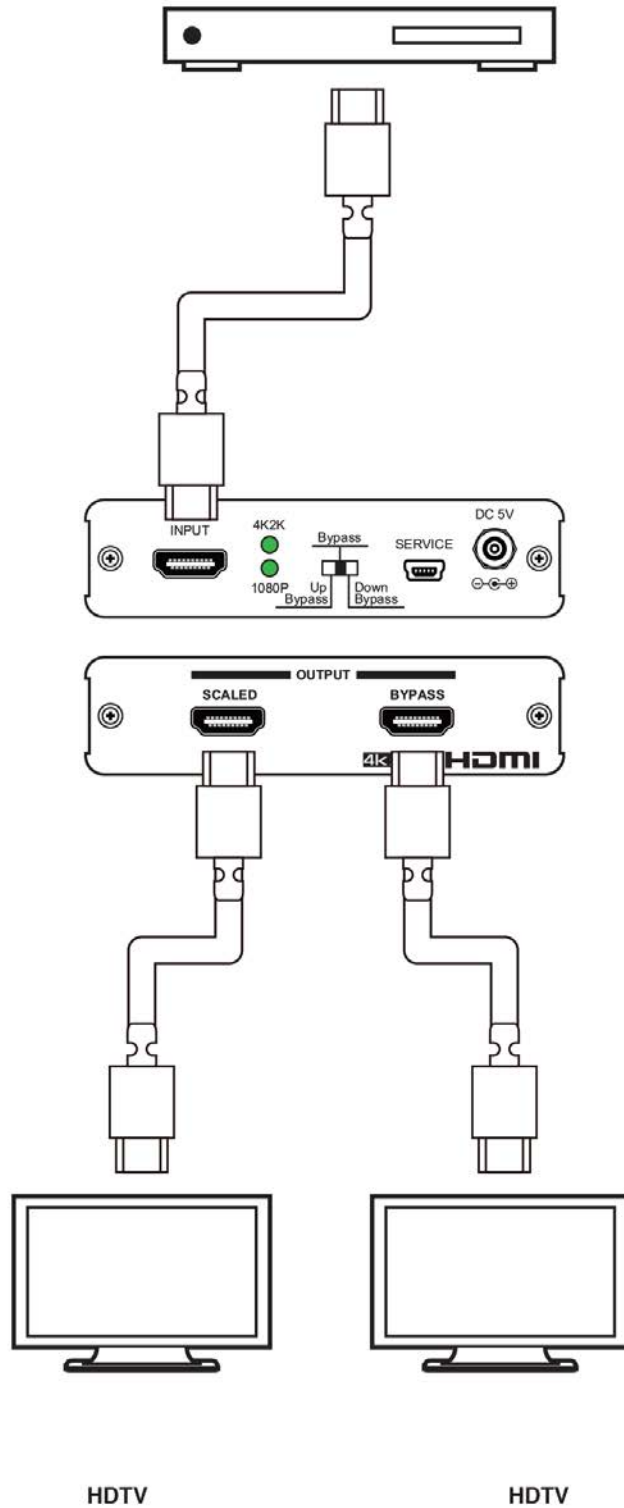
6.2 Rear Panel



- ① **SCALED:** This slot is to connect with HDMI TV/display with or without 4K2K specification for output AV displaying according to Bypass switch setting.
- ② **BYPASS:** This slot is to connect with HDMI TV/display with or without 4K2K specification for output AV displaying according to input source signal setting.

7. CONNECTION DIAGRAM

DVD or Blu-ray Player



8. SPECIFICATIONS

Video Frequency	300MHz/9Gbps
Input Port	1 x HDMI
Output Ports	2 x HDMI
4K2K HDMI Cable Distance	In 5M, Out 10M
Power Supply	5V / 2.6A DC (US/EU standards, CE/FCC/UL certified)
ESD Protection	Human body model: ±8kV (air-gap discharge) ±4kV (contact discharge)
Dimensions (mm)	102(W) x 102(D) x 25 (H) 102(W) x 108.75(D) x 25 (H)/Including Jacks
Weight	220
Chassis Material	Aluminum
Silkscreen Color	Black
Operating Temperature	0 °C ~ 40 °C/32 °F ~ 104 °F
Storage Temperature	-20 °C~60 °C/-4 °F~140 °F
Relative Humidity	20~90% RH (non-condensing)
Power Consumption	2.4W



www.egerate.com

www.geratech.eu