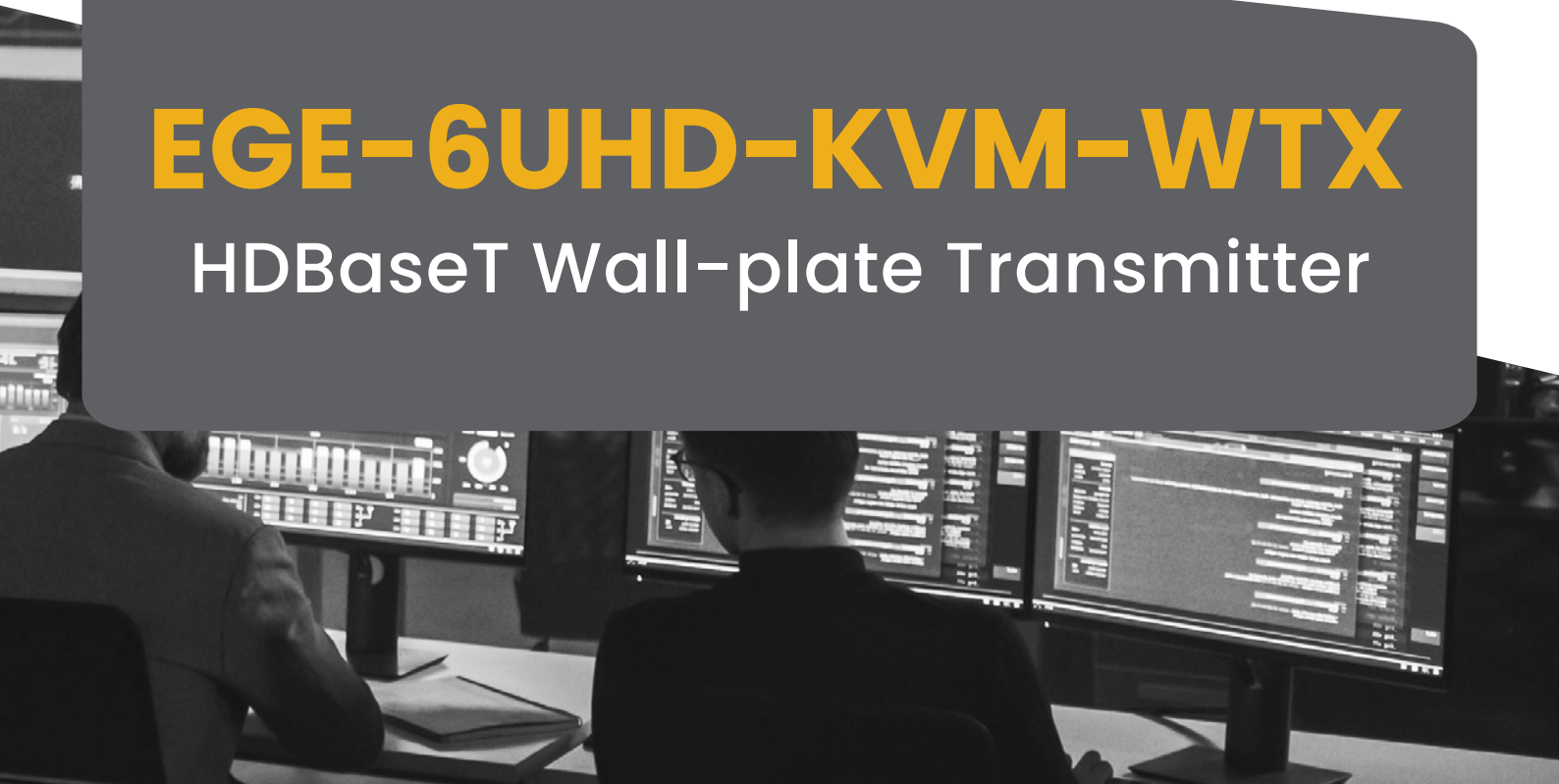


geratech®



# EGE-6UHD-KVM-WTX

HDBaseT Wall-plate Transmitter





**Thank you for purchasing this product**

For optimum performance and safety, please read these instructions carefully before connecting, operating or adjusting this product. Please keep this manual for future reference.

**Surge protection device recommended**

This product contains sensitive electrical components that may be damaged by electrical spikes, surges, electric shock, lightning strikes, etc. Use of surge protection systems is highly recommended in order to protect and extend the life of your equipment.

**CONTENTS**

**1. INTRODUCTION ..... 1**

**2. FEATURES ..... 1**

**3. PACKAGE CONTENTS ..... 1**

**4. SPECIFICATIONS ..... 2**

**5. OPERATION CONTROLS AND FUNCTIONS ..... 3**

**5.1 Front Panel..... 3**

**5.2 Rear Panel..... 4**

**5.3 Side Panel ..... 4**

**5.4 Dimension of panel ..... 5**

**6. APPLICATION EXAMPLE ..... 7**



## 1. INTRODUCTION

The HDBaseT Wall-plate Transmitter supports HDMI and VGA with audio inputs within a standard 2-Gang US Decora wall box. It can transmit HDMI signal over CAT6/6a/7 to the distance up to 131ft/40m for 4K2K@60Hz (4:4:4) or up to 230ft/70m for 1080p60Hz. Auto-switching allows user to plug-in and play. Built-in two-way IR, RS-232 and USB transmissions for easy device control.

## 2. Features

- HDMI 2.0b and HDCP 2.2 compliant
- Support 18Gbps video bandwidth
- Support HDMI video resolution up to 4K2K@60Hz (4:4:4),
- VGA video resolution up to 1920x1200@60Hz
- Up to 7.1 channels HD audio
- Transmission distance can be extended up to 230ft / 70m for 1080p60Hz signal or 131ft / 40m for 4K2K@60Hz (4:4:4) signal via a single CAT6/6a/7 cable
- Automatic and manual switching modes
- Two-way IR, RS-232 and USB supported
- 2-Gang US Decora Wall-plate
- 24V POC is supported

## 3. PACKAGE CONTENTS

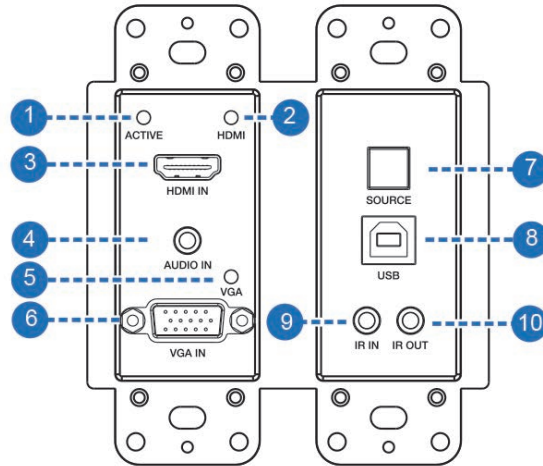
- 1x HDBaseT Wall-plate Transmitter
- 1x Phoenix connector (3 pins)
- 1x Phoenix connector (2 pins)
- 1x Wideband IR Receiver cable
- 1x Wideband IR Blaster cable
- 1x User Manual

#### 4. SPECIFICATIONS

<b>Technical</b>	
HDMI Compliance	HDMI 2.0b
HDCP Compliance	HDCP 2.2
Video Bandwidth	18 Gbps
HDMI Video Resolution	Up to 4K2K@50/60Hz 4:4:4
Color Space	RGB/YCbCr 4:4:4, YCbCr 4:2:2
Color Depth	8-bit, 10-bit, 12-bit
HDMI Audio Formats	LPCM, Dolby Digital/Plus/EX, Dolby True HD, DTS, DTS-EX, DTS-96/24, DTS High Res, DTS-HD Master Audio, DSD
VGA Video Resolution	Up to 1920x1200@60Hz
ESD Protection	Human body model — ±8kV (Air-gap discharge) & ±4kV (Contact discharge)
<b>Connections</b>	
Transmitter	Inputs: 1x HDMI Type A [19-pin female] 1x VGA [15-pin female] 1x USB [USB-B, 4-pin female] 1x IR IN [3.5mm Stereo Mini-jack] 1x RS-232 [Phoenix jack] 1x AUDIO IN [3.5mm Stereo Mini-jack] Outputs: 1x HDBaseT Out [RJ45] 1x IR OUT [3.5mm Stereo Mini-jack]
<b>Mechanical</b>	
Housing	Plastic Enclosure
Color	White
Dimensions	91.8mm [W] x 104.8mm [D] x 43mm [H]
Weight	212.5g
Power Supply	Input: AC100 - 240V 50/60Hz Output: DC 24V/1A (US/EU standards, CE/FCC/UL certified)
Power Consumption	6W (Max)
Operating Temperature	32 - 104°F / 0 - 40°C
Storage Temperature	-4 - 140°F / -20 - 60°C
Relative Humidity	20 - 90% RH (no condensation)

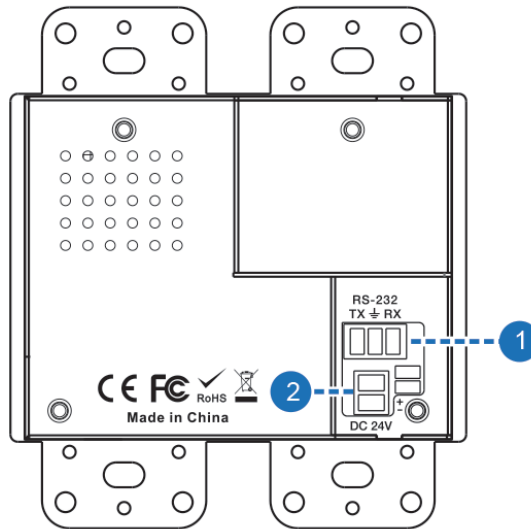
**5. OPERATION CONTROLS AND FUNCTIONS**

**5.1 FRONT PANEL**



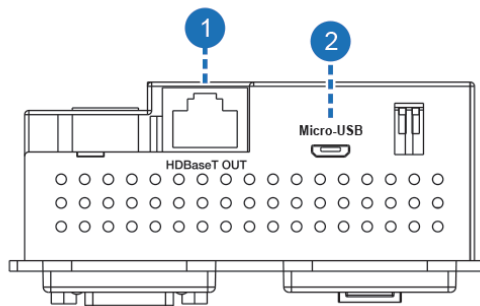
No.	Name	Function Description
1	ACTIVE	Signal status indicator. The LED will illuminate green when the HDMI port or the VGA port has signal source input.
2	HDMI LED	The HDMI input signal indicator. The LED will illuminate green when the HDMI IN port is selected as the input channel by pressing the SOURCE button.
3	HDMI IN	Connect to HDMI source device such as Blu-ray or PS4 player.
4	AUDIO IN	The VGA audio input port.
5	VGA LED	The VGA input signal indicator. The LED will illuminate green when the VGA IN port is selected as the input channel by pressing the SOURCE button.
6	VGA IN	The VGA input port.
7	SOURCE button	Manual switching button.
8	USB	USB host port.
9	IR IN	Receiving the remote control signal and sending it to Receiver side.
10	IR OUT	Sending the remote control signal from Receiver side.

**5.2 REAR PANEL**



No.	Name	Function Description
1	RS-232	Use the phoenix jack for connecting PC or control system 4to transmit RS-232 commands.
2	DC 24V	Use the phoenix jack for connecting power supply.

**5.3 SIDE PANEL**



No.	Name	Function Description
1	HDBaseT OUT	HDBaseT output port. Connect with the HDBaseT receiver with a CAT6/6a/7 cable.
2	Micro-USB	For firmware update.



### 5.4 DIMENSION OF PANEL

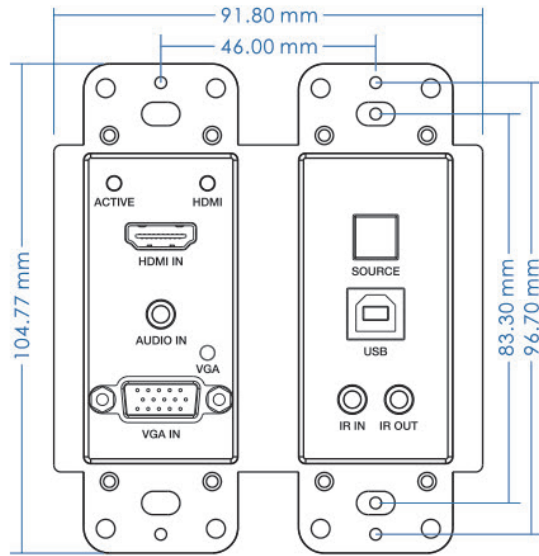


Figure 1 Front panel

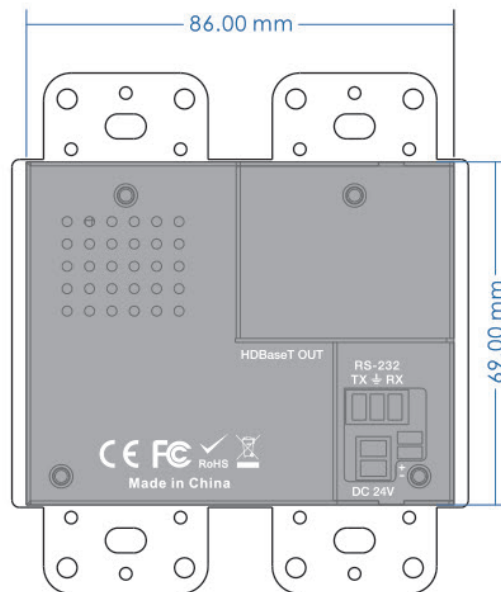


Figure 2 Rear panel

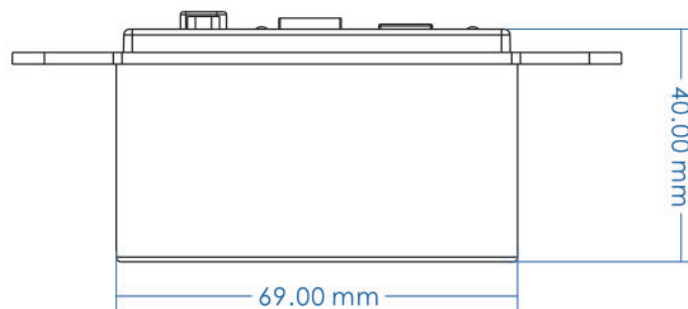
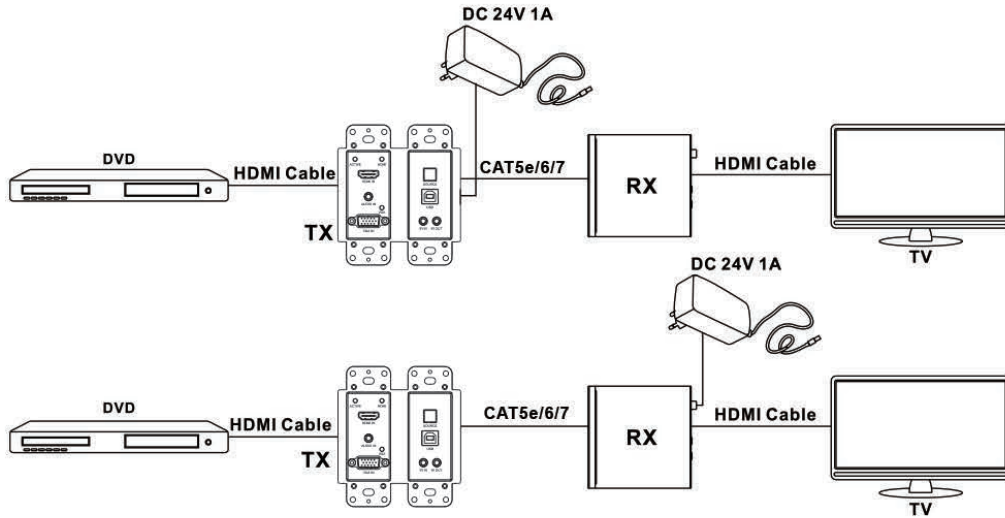
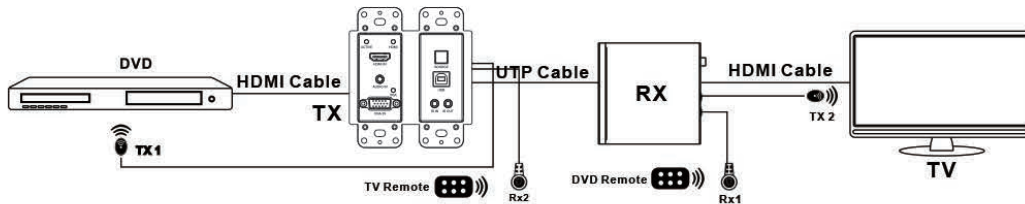


Figure 3 Side panel

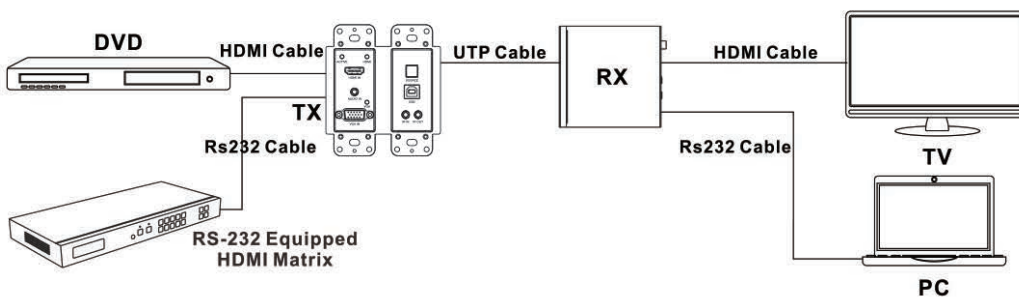
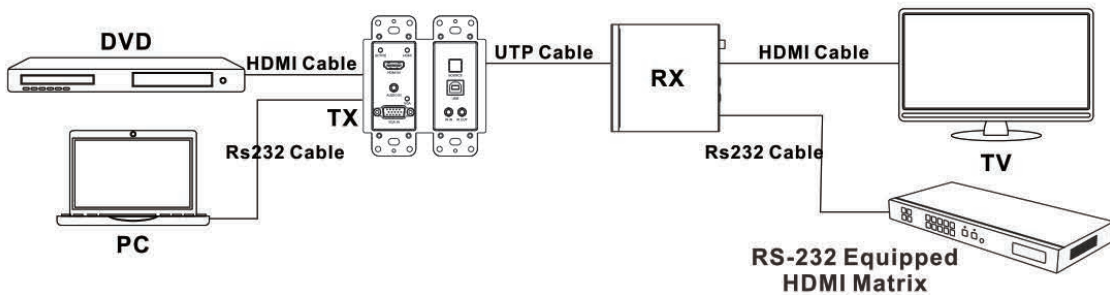
⊗ Description 1  
POC (Power over Cable) Application Example



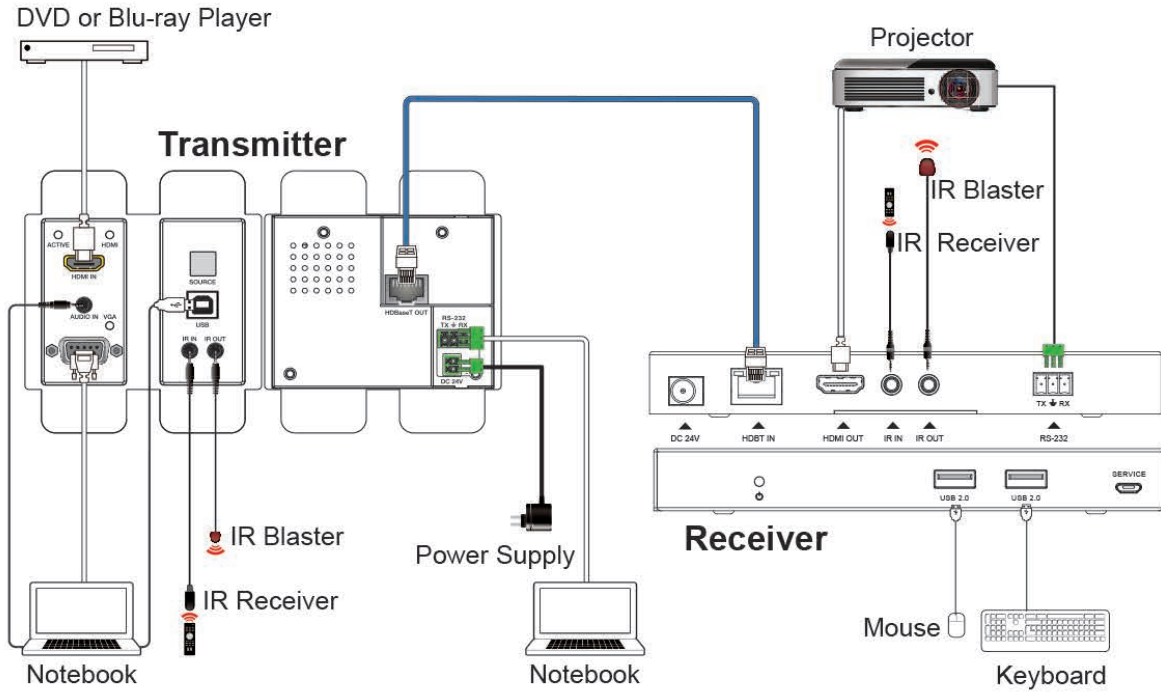
⊗ Description 2  
Bidirectional Infrared control Application Example



⊗ Description 3  
Bidirectional RS-232 control Application Example



### 6. APPLICATION EXAMPLE







[www.egerate.com](http://www.egerate.com)

[www.geratech.eu](http://www.geratech.eu)