



EGE-CMP-143

1×3 Component
Video Splitter



CONTENTS

1. APPLICATION 1

2. FEATURES 1

3. THIS PACKAGES INCLUDE 1

4. SPECIFICATIONS 1

5. CONNECTION AND INSTALLATION..... 2



1. Application

The EGE-CMP-143 is capable of distributing video in 3 different formats and is ideal for use in analog video entertainment distribution system.

2. Features

- Component/ composite or RGB distribution amplifier.
- Supports SD (composite, YCbCr) and HDTV (YPbPr, RGsB) input signal.
- Accepts one component input and splits the input to 3 identical and buffered outputs via 3x3 RCA connectors.
- When input is composite video, it can connect up to 3 different video sources and output three identical and buffered signal for each video input.
- It can be used for presentation and home theater application.
- High bandwidth performance - 480MHz bandwidth at -3dB
- Worldwide power supply

3. This package includes

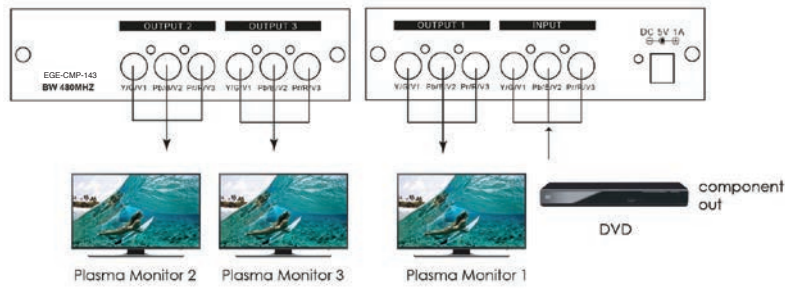
- One EGE-CMP-143 unit.
- One set of power supply
- One user manual
- One set of 3BNC male to 3BNC male cable

4. Specifications

- * Input: YPbPr x 1 or RGsB x 1 (or RGBHV), or composite x 3 1 Vp-p@ 75 ohm
 - * Output: YPbPr x 3, or RGsB(or RGBHV) x 3, or composite 3 x 3
 - * Horizontal/Vertical sync 5Vp-p max and H frequency 10KHz~100KHz, V frequency 20Hz~200Hz.
 - * Bandwidth: 480MHz (-3dB)
 - * Differential gain: 0.05%
 - * Differential phase: 0.05 degree
 - * Power: 5V 2A~1A
 - * Dimension:141(W) x 38(D) x 105(H)mm
 - * Weight: 550gs
- Also available: EGE-CMP-143 with audio.

5.Connection and Installation

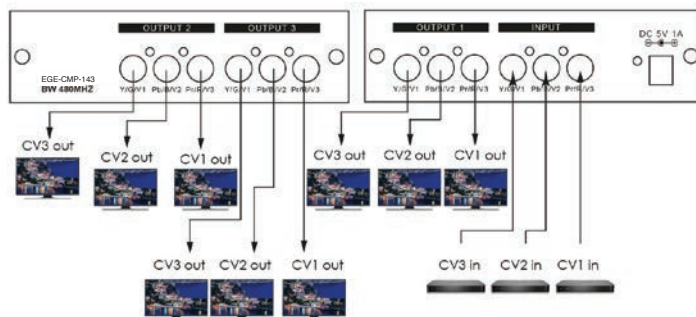
a. Works as a 1-in 3-out distribution amplifier for HD component source(YPbPr).



b. Works as a 1-in 3-out distribution amplifier for HD RGB (Sync on Green) video source.



c. Works as a three 1-in 3-out distribution amplifier for composite video source.





www.egerate.com

www.geratech.eu