

geratech®



EGE-SP116-4K

4K HDMI 1:16 Splitter



Thank you for purchasing this product

For optimum performance and safety, please read these instructions carefully before connecting, operating or adjusting this product. Please keep this manual for future reference.

Surge protection device recommended

This product contains sensitive electrical components that may be damaged by electrical spikes, surges, electric shock, lightning strikes, etc. Use of surge protection systems is highly recommended in order to protect and extend the life of your equipment.

Remark

The connection of the main adapter to the HDMI Splitter must be done at first, afterwards you can connect the main adapter to the power outlet. Any other way of connecting of the main adapter to switch / power outlet can cause the damage of the device.

CONTENTS

1. INTRODUCTION	1
2. FEATURES	1
3. PACKAGE CONTENTS	1
4. SPECIFICATIONS	2
5. OPERATION CONTROLS AND FUNCTIONS.....	3
6. CONNECTION DIAGRAM	4



1. Introduction

This product is a high performance 1X16 splitter, It supports 4Kx2K signal input and split to 16 HDMI ports. The splitter support EDID control, so that can force the source output definitions you want.

2. Features

Split 1 HDMI input signal to 16 HDMI sink devices.

Definition resolution supports up to 4K*2K@30Hz@8bit(YCbCr4:4:4) ;

4K*2K@60Hz@8bit(Cr4:2:0)

Support digital audio format, DTS-HD/Dolby-True HD/LPCM7.1/AC3/DTS/DSD

Support EDID selector.

3. Package Contents

1 x HDMI 1x16 Splitter

1x 12V2.5A DC Power adapter

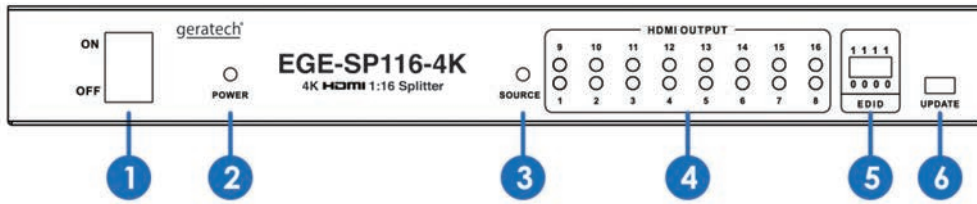
1 x Operation Manual

4. SPECIFICATIONS

Technical	
HDMI Compliance	HDMI 1.4a
HDCP Compliance	HDCP 1.4
Video Bandwidth	297MHz[10.2Gbps]
Video Resolutions	480i@60Hz,480p@60Hz,576i@50Hz,576p@50Hz 720p@50/60Hz.1080i@50/60Hz, 1080p@24/30/50/60Hz, 4K@30Hz@8bit(YCbCr4:4:4),4K@60Hz@8bit(YCb Cr4:2:0);
Color Space	RGB. YCbCr 4:4:4, YCbCr 4:2:2
Color Depth	10-bit. 12-bit
HDMI Audio Formats (Pass-Through)	LPCM 2/5.1/7.1CH, Dolby Digital, DTS 5.1, Dolby Digital +, Dolby True HD, DTS-HD Master Audio, Dolby Atmos, DTS:X
ESD Protection	Human body model — ±8kV (air-gap discharge) & ±4kV (contact discharge)
Connections	
Inputs	1x HDMI Type A [19-pin female]
Outputs	16x HDMI Type A [19-pin female]
Mechanical	
Housing	Metal Enclosure
Color	Black
Dimensions	115 mm [W]*267mm [D]*32 mm [H]
Weight	1000g
Power Supply	Input: AC100 - 240V 50/60HZ Output: DC 12V/2.5A (US/EU standards. CE/FCC/UL certified)
Power Consumption	30W (Max)
OperationTemperature	32 - 104aF / 0 - 40°C
Storage temperature	-4 - 140°F / -20 - 60°C
Relative Humidity	20 - 90% RH (no condensation)

5. OPERATION CONTROLS AND FUNCTIONS

5.1 Front Panel

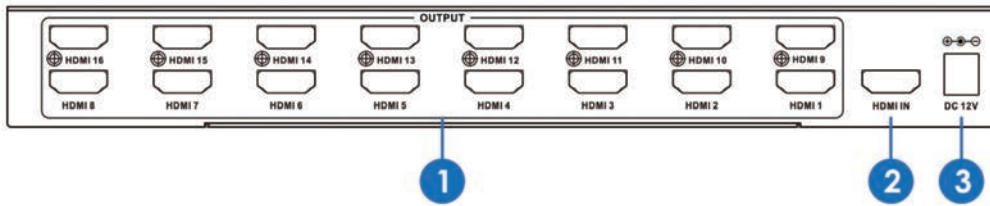


- 1 ON/OFF:** Power on/off switch.
- 2 POWER LED:** This LED illuminates when the device is connected with power supply
- 3 INPUT LED:** This LED illuminates when the source plugs in corresponding HDMI input Port,
- 4 OUTPUT LED:** These LEDs illuminates when the TV plugs in corresponding HDMI output Port.
- 5 EDID Selector:** Select HDMI output signal format via EDID Selector

Position	EDID Description
0000	1080p, 2CH AUDIO
0001	1080p. DOLBY/DTS 5.1
0010	1080p. HD AUDIO
0011	1080i, 2CH AUDIO
0100	1080i, DOLBY/DTS 5.1
0101	1080i. HD AUDIO
0110	3D,1080p, 2CH AUDIO
0111	3D, 1080p,DOLBY/DTS 5.1
1000	3D.1080p, HD AUDIO
1001	4Kx2K, 2CH AUDIO
1010	4Kx2K, DOLBY/DTS 5.1
1011	4Kx2K, HD AUDIO
1100	RESERVE
1101	RESERVE
1110	RESERVE
1111	COPY HDMI OUTPUT 1

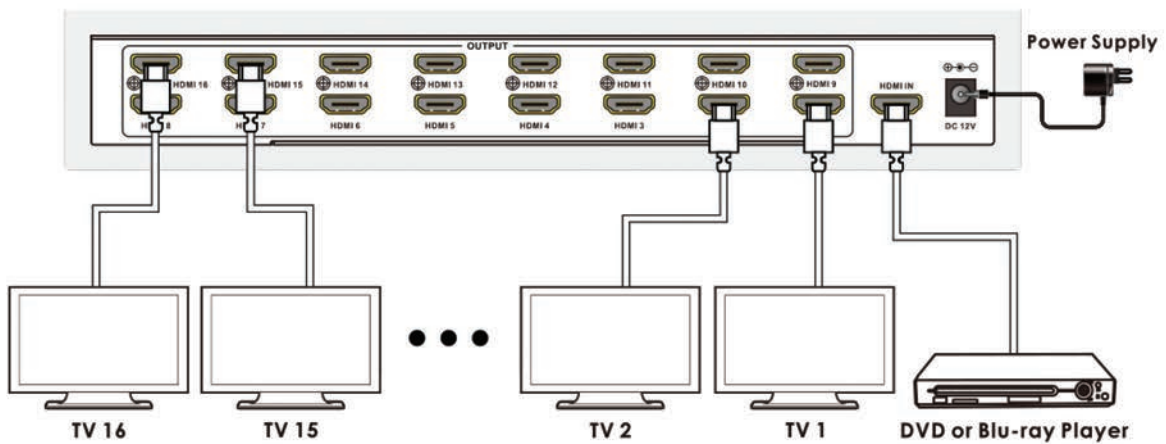
- 6 UPDATE:** Connected to computer via RS232 tool, and controlled via host-computer software.

5.2 Rear Panel



- 1 HDMI OUTPUT:** These slots are where you connect the HDTV or monitor with HDMI cable.
- 2 HDMI IN:** This slot is where you connect the HDMI source output from DVD, PS3.
- 3 DC 12V:** Plug the 12V DC power supply into the unit and connect the adapter to AC wall outlet.

6. CONNECTION DIAGRAM





www.egerate.com

www.geratech.eu