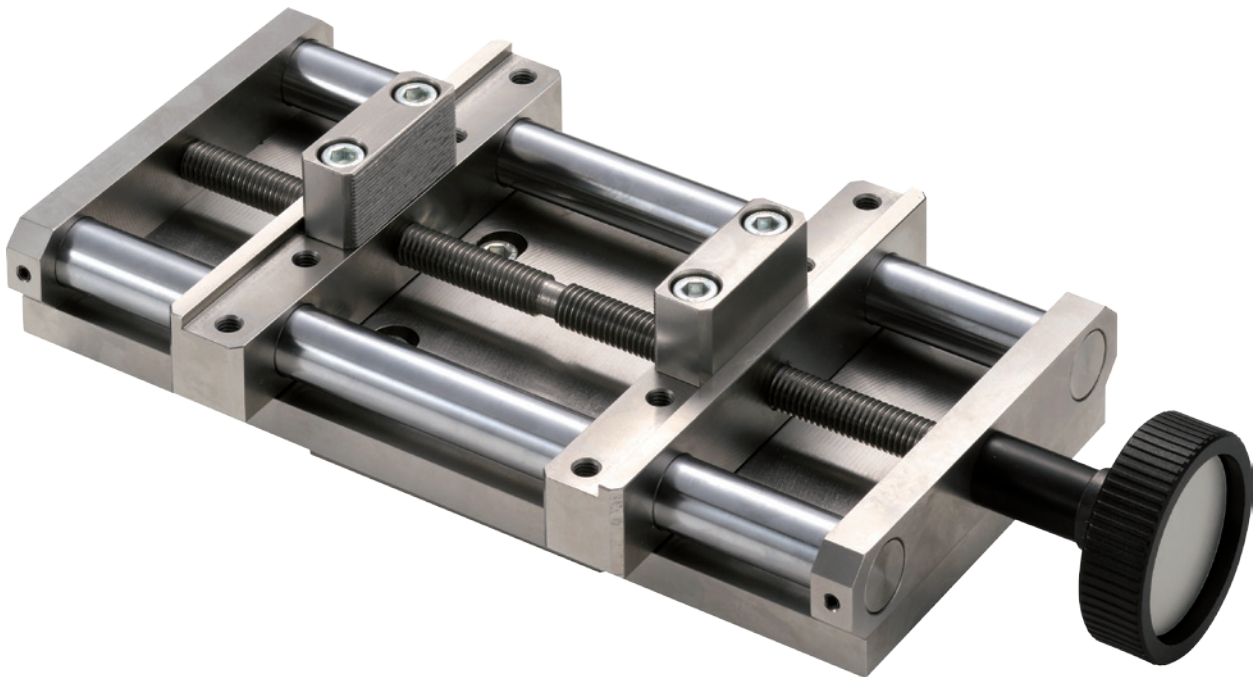


Center-open Vise Grip GTW-2500N

A sample is always gripped in the center of the vise as the grip open and shut at the center.



Features

- Designed to be mounted on the vertical test stand.
- The sample is automatically fixed in the center of the vise.
- Since the vise is made of stainless steel, magnetic samples can be attached without any problems.
- The jaws have a smooth and a roughened side (customized jaws are available on request).
- Up to 6 jaws can be mounted

Note

- Some samples may not correctly be gripped depending on material and shape.
- Information within this document is subject to change without notice.

Application



Specifications

Capacity	2500 N
Max. Grip width	126 mm
Opening width	160 mm
Weight	Approx. 4,2 kg
Material	Stainless steel
Accessories	2 jaws

Dimensions

