

Adapter JF and EJ



JF6-50N



EJ6-1000N



EJ10-5000N

Feature

- Ensures accurate measurement as the adapter adjusts to an angle that changes during the test.
- Only suitable for tension tests.

Applications

- The JF6-50N is attached to the force gauge with the small hook, while the adapts EJ6-1000N and EJ10-5000N are mounted directley at the measuring shaft of the force gauge.



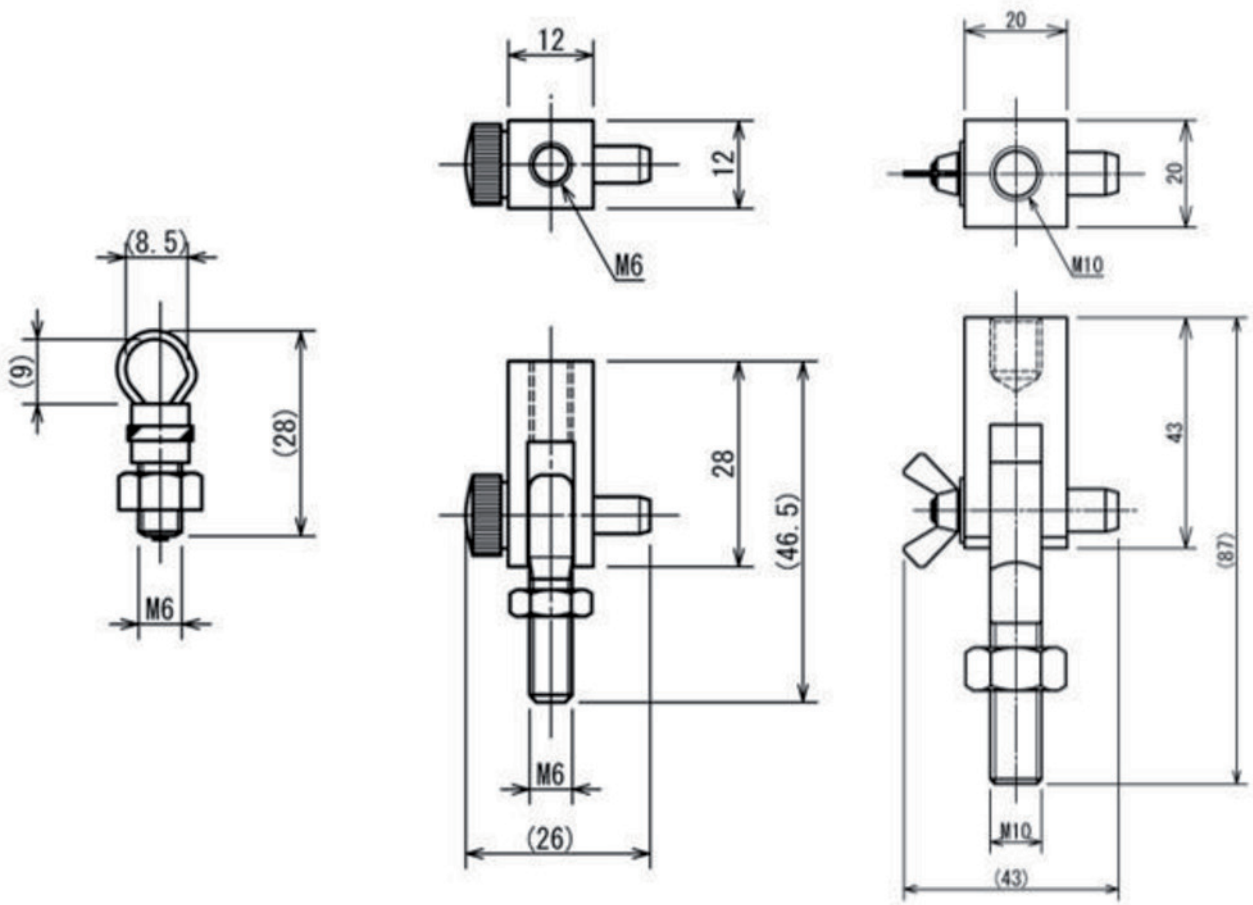
Note

- Combining with a test stand, more stable measuring becomes possible.
- All information is subject to change without prior notice.
- Not suitable for all materials and shapes

Specifications

	JF6-50N	EJ6-1000N	EJ10-5000N
Capacity	50 N	1000 N	5000 N
Mounting screw for force gauge	-	M6	M10
Mounting screw for clamp	M6	M6	M10
Weight	ca. 8 g	ca. 29 g	ca. 140 g

Dimensional drawing



units in mm