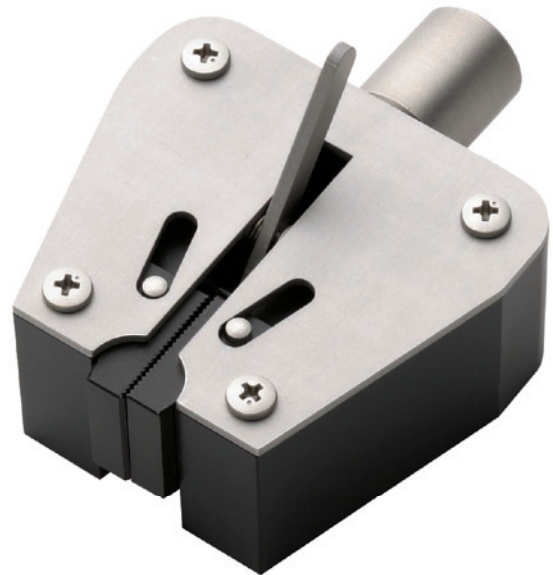


## Wedge grip KC-100, KC-1001, KC-5000

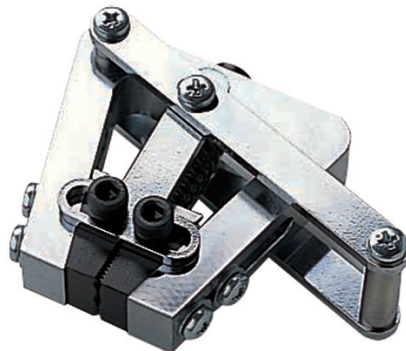
Universal grips for easy-attachment/detachment  
of test pieces



KC-1001



KC-5000



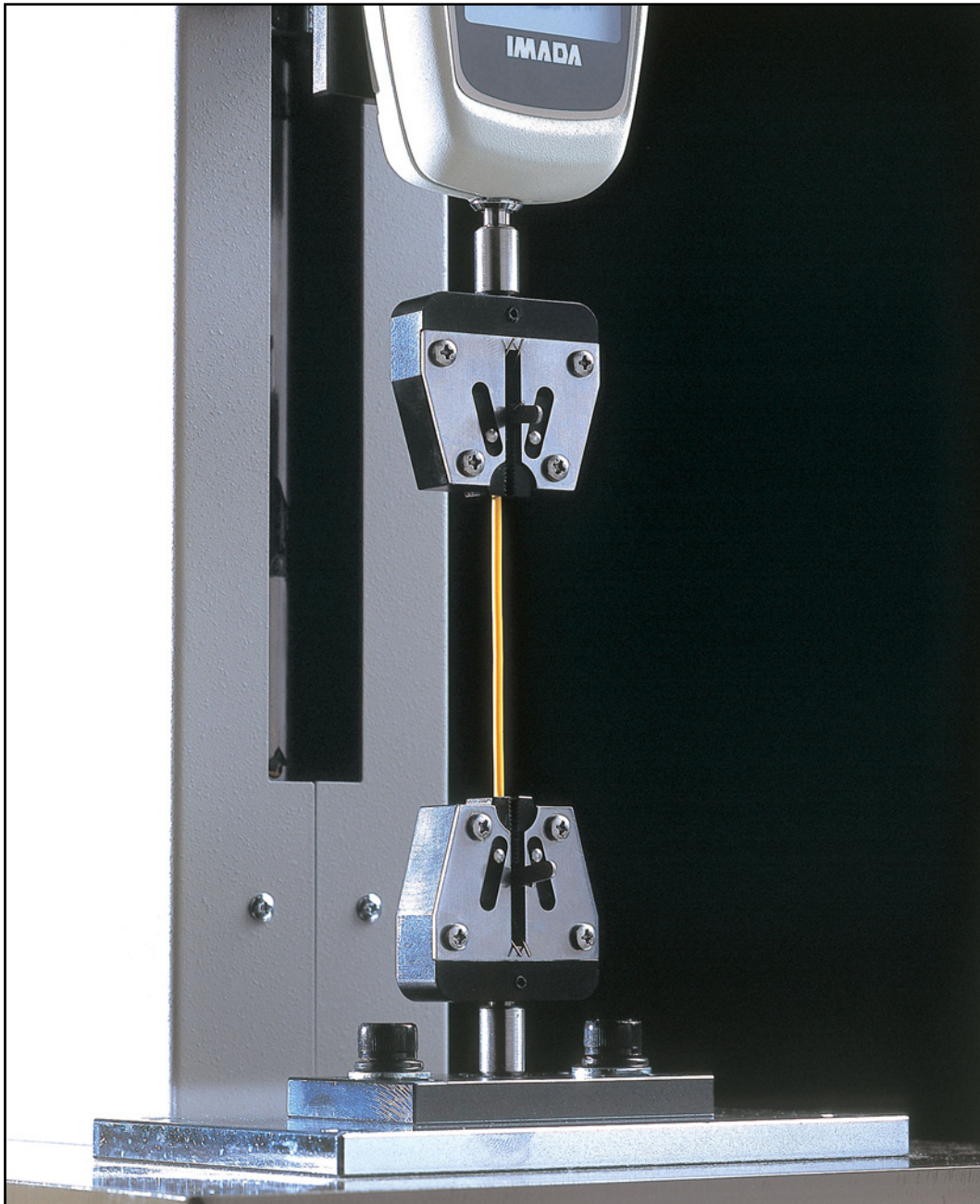
KC-100

### Feature

- Attachment/detachment of a test piece can be done by one-touch operation.
- The wedge grip is self-closing by applying tensile force (spring-loaded wedge grip).

**Application**

- The wedge grip is installed on the force gauge for tensile tests of various test pieces.



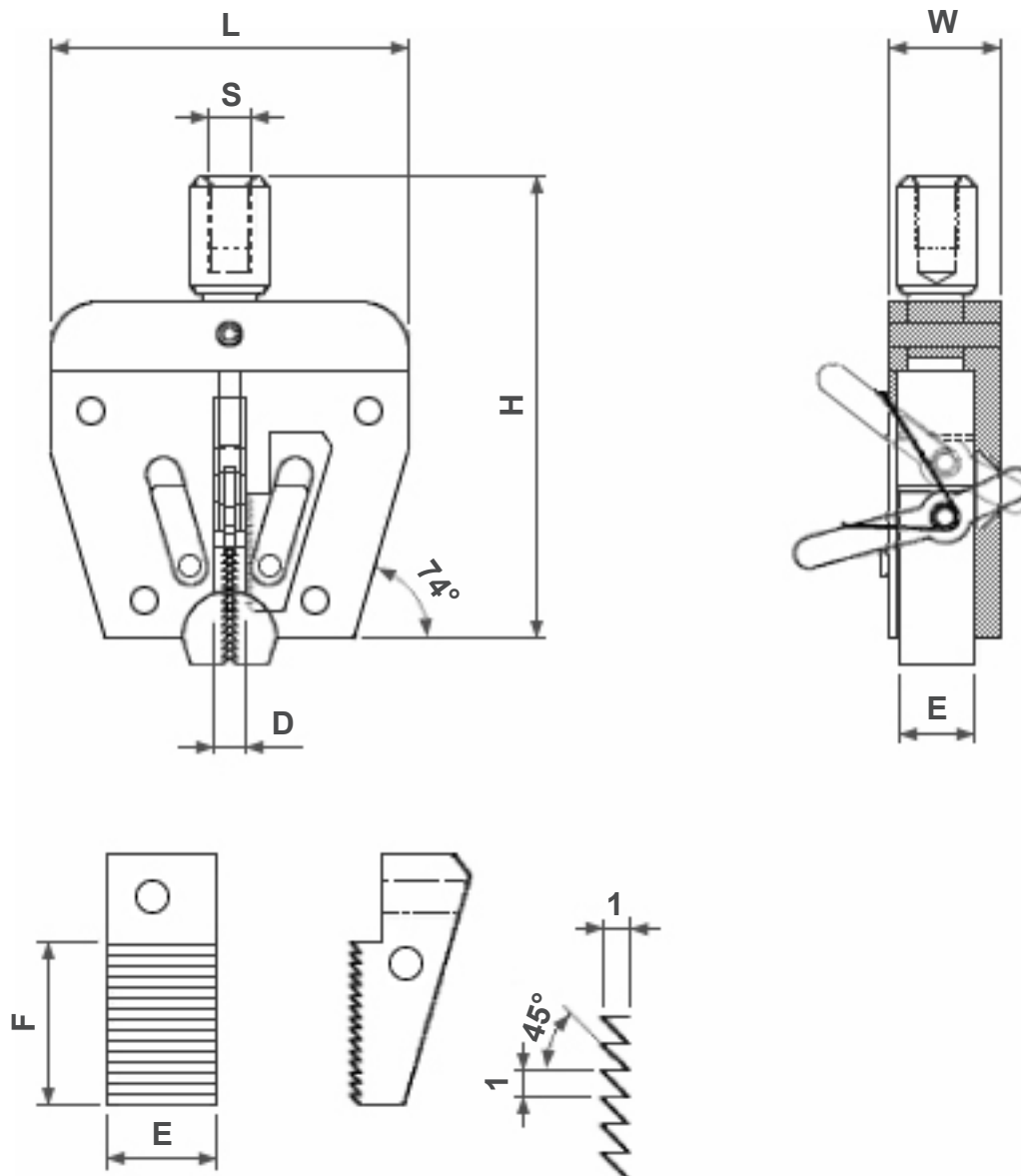
**Note**

- The wedge grip can not grip particular material or shape.
- Combining with a test stand, more stable measuring becomes possible.
- All informations subject to change without prior notice

## Specifications

	KC-100	KC-1001	KC-5000
Model	standard	standard	high capacity
Capacity	500 N (50 kgf)	1000 N (100 kgf)	5000 N (500 kgf)
Mounting screw (S)	M6	M6	M10
Weight	330 g	95 g	565 g
Dimension (LxWxH)	92 x 60 x 30 mm	46 x 14.5 x 59 mm	75 x 36 x 94 mm
Opening width (D)	max. 8 mm	max. 2.0 mm	max. 5.0 mm
Width of jaw (E)	15 mm	9.8 mm	23.8 mm
Height of jaw (F)	22 mm	15.0 mm	26.0 mm
Recommended force gauge	PS/FB/DST/DSV/ ZTS/ZTA series from 10 N	PS/FB/DST/DSV/ ZTS/ZTA series from 10 N	PSH/ZTS/ZTA series from 50 N

## Dimensional drawing KC-1001, KC-5000



**Dimensional drawing KC-100**

