

Attachment for compression tests on acupuncture needles
MED-ACU-2N

For determining the strength and sharpness



MED-ACU-2N

Feature

- Convenient for acupuncture needles with 0.1 to 1 mm diameter.
- For measurements according to different standards.

Applications

- Sterile acupuncuter needles for single use - ISO 17218:2014
- Acupuncture needles for single use - JIS T9301:2016



Note

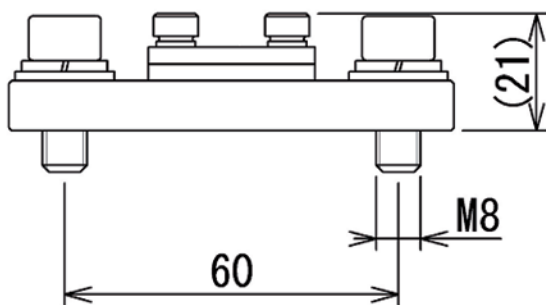
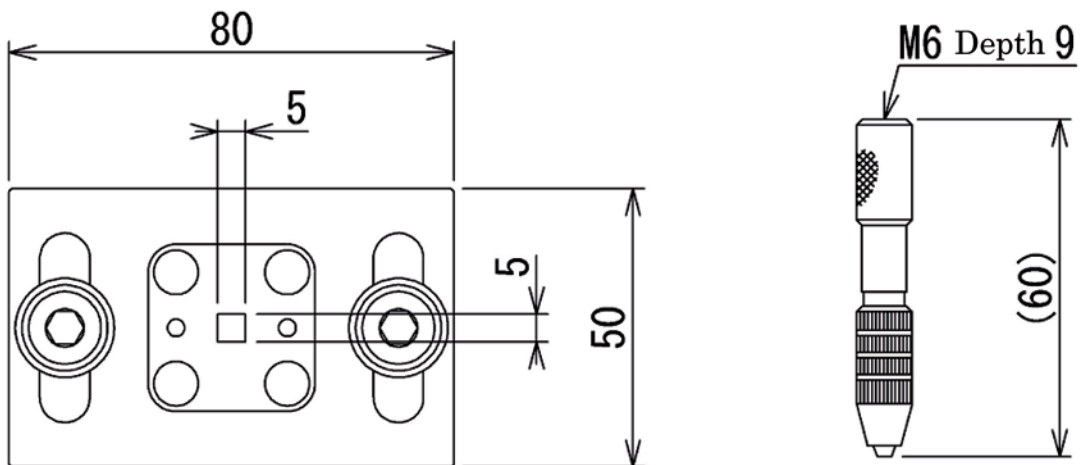
- Particular materials and shape can not be used.
- Combining with a test stand, more stable measuring becomes possible.
- All information is subject to change without prior notice.

Specifications

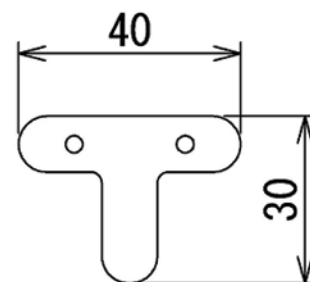
Model	MED-ACU-2N
Capacity	2 N
Needle diameter	0.1 - 1 mm
Weight	Approx. 22 g (Pin grip, fixed at the force gauge - CP-150N)
Mounting screw	M6

The weight of the pin grip is also applied as load on the force gauge and had to be considered when selecting the capacity.

Dimensional drawing



T-shaped iron plate



unit: mm