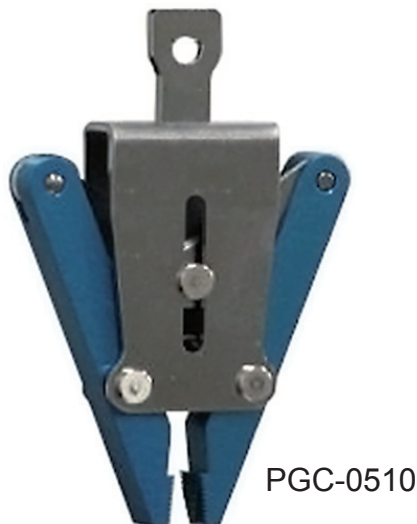


Pantograph PGC-0510, PGC-0505, PGC-2530

Clamp for tension tests

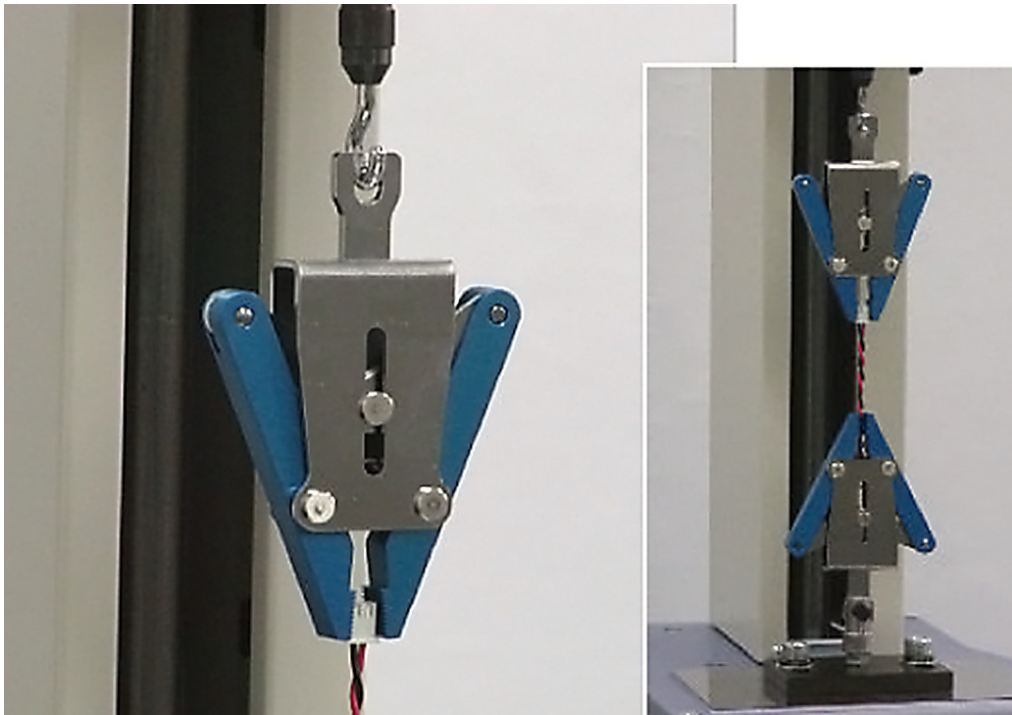


Features

- For wide purpose by wide open jaw grips
- One hand operation
- The clamping force is increasing, if the tension force is rising
- Excellently suitable for elastic materials, such as rubber

Applications

- This can be used for various materials such as lead wire, films, paper, rubber.



Note

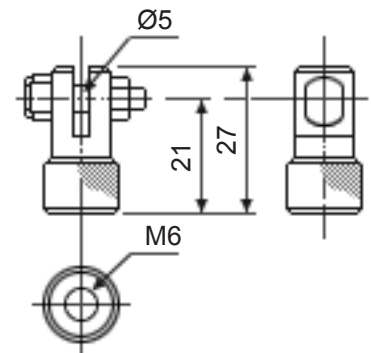
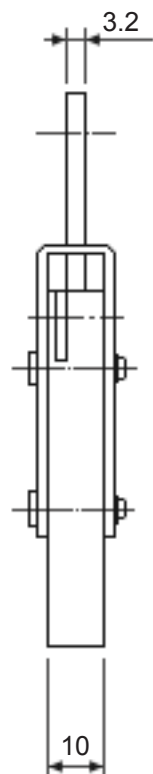
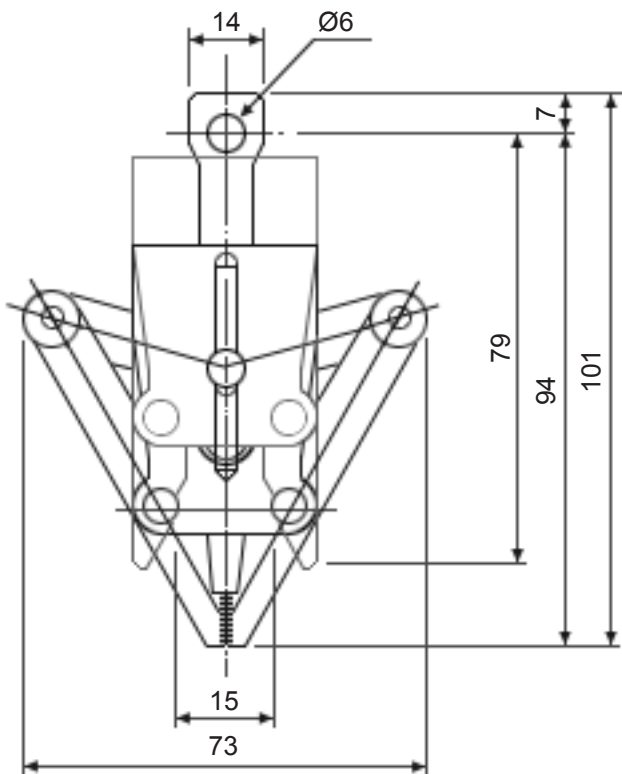
- Some samples may not correctly be gripped depending on material and shape.
- Combining with a test stand, more stable measuring becomes possible.
- All information is subject to change without prior notice.
- When using with a test stand, please check the stroke you need.
- To fix model PGC-0505 and PGC-0510 at the test stand, optional adapter PGC-AD6 is required.

Specifications

Model	PGC-0510	PGC-0505	PGC-2530
Capacity	500N		2500 N
Opening width	15 mm	0.8 - 20 mm	15 mm
Mounting	Force gauge: hook in at the standard attachment A-1/S-1 Test stand: with the optional available Adapter PGC-AD6 (M6)		M10
Special features	lightweight	for narrow spaces	high capacity
Weight	approx. 110 g	approx. 170 g	approx. 750 g
Recommended force gauge	PS/FB/DS2/ZTS/ZTA series		

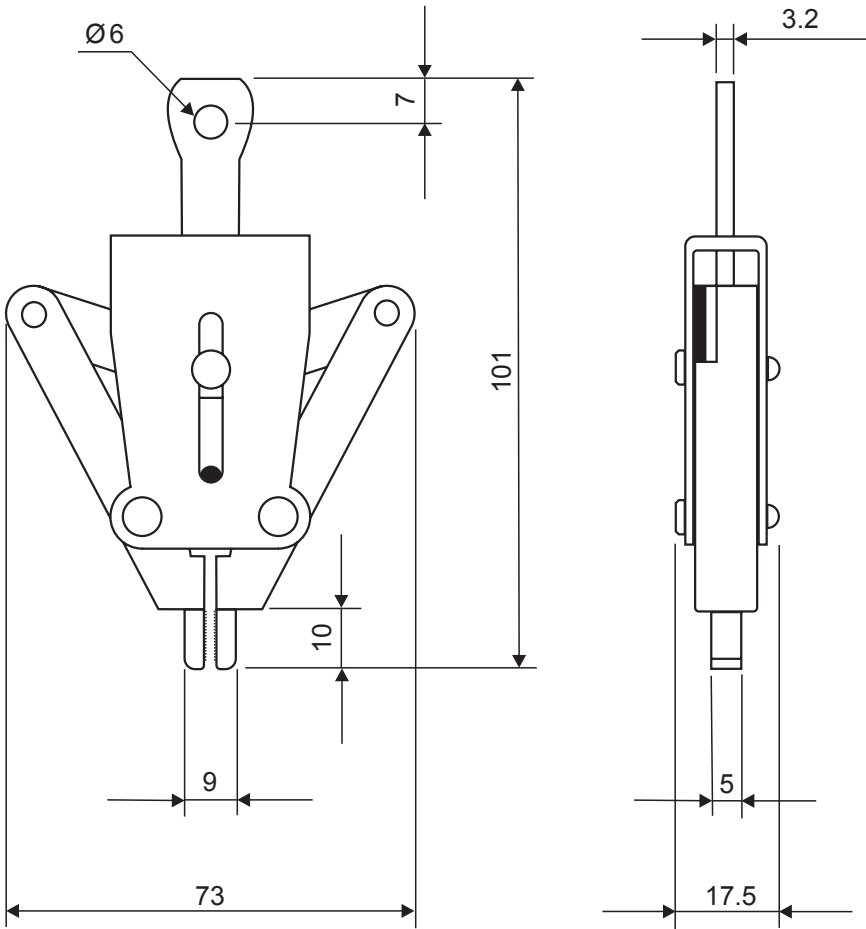
Dimensional drawing

PGC-0510



PGC-AD6 (Optional adapter)

PGC-0505



PGC-2530

