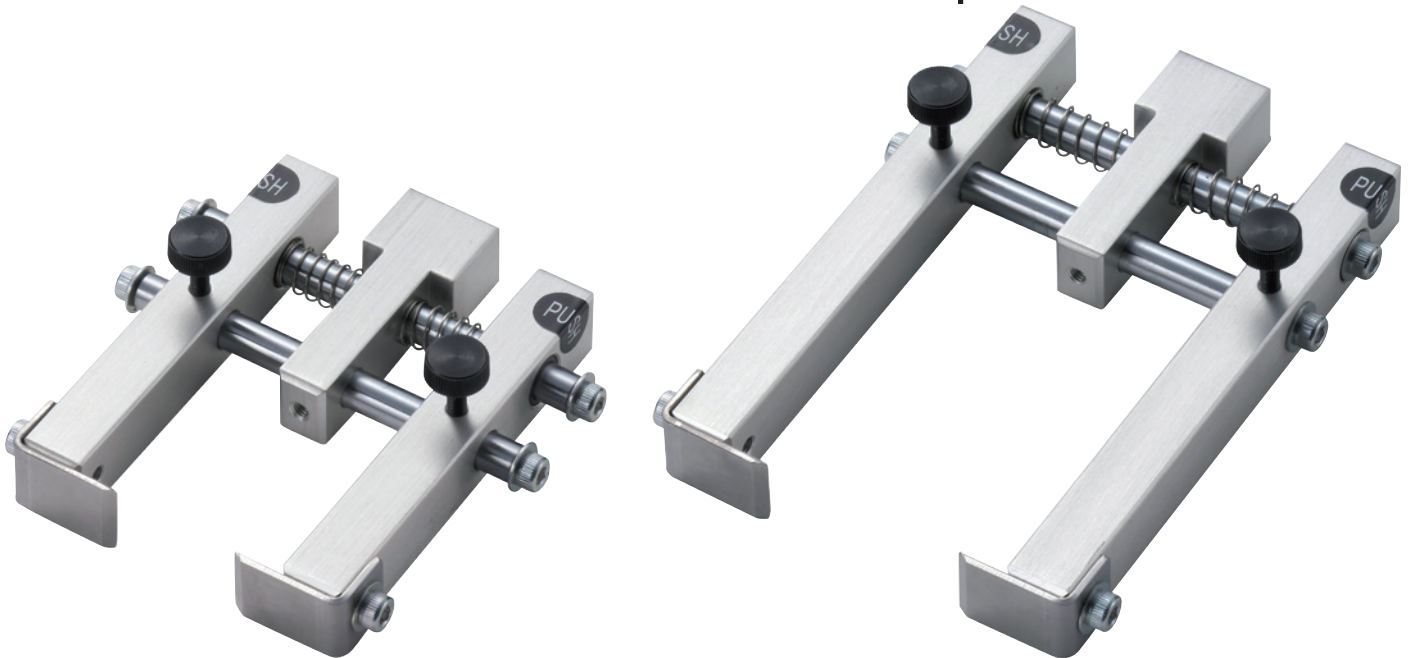


Double Arm Hook SHF

For tension test on caps



SHF-100N

SHF-100N-L

Feature

- Designed to grip the sample with 2 claws.
- Ideal for tension tests of closing and cover caps or similar
- Available with two different designs

Applications



Note

- Particular materials and shape can not be used.
- Combining with a test stand, more stable measuring becomes possible.
- All information is subject to change without prior notice.

Specifications

Model	SHF-100N	SHF-100N-L
Max. sample size	30 x 30 (W x H)	30 x 55 (W x H)
Capacity	100 N	
Weight	250 g	300 g
Mounting screw	M6	
Options	-R (V-shaped claw)	

Dimensional drawing

