

Attachment for testing the durability of coatings TH series

Attachment for pull of surface coatings



TH-5000N

Feature

- The dolly can easily be replaced, without detach the complete attachment from the force gauge.
- The dolly can be ordered separately.

Application

- Bond a test dolly on coating surface and pull it off to measure peeling strength of the coating.
- The attachment ist practicable for tests according to JIS K 5600-5-7 and ISO 4624



Note

- The wedge grip can not grip particular material or shape.
- Combining with a test stand, more stable measuring becomes possible.
- All informations subject to change without prior notice

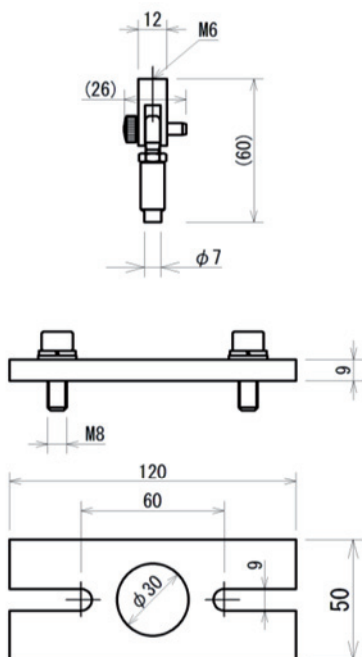
Specifications

		TH-1000N-7	TH-1000N-20	TH-5000N-20
Upper Attachment	Capacity	1000 N	1000 N	5000 N
	Pull of surface	7 mm Ø	20 mm Ø	20 mm Ø
	Weight	ca. 40 g	ca. 90 g	ca. 195 g
	Mounting screw	M6	M6	M10
Bottom Attachment	Center hall	30 mm Ø	30 mm Ø	30 mm Ø
Standard		JIS K 5600-5-7 (2014) ISO 4624 (2002)	JIS K 5600-5-7 (1999) ISO 4624 (1978)	JIS K 5600-5-7 (1999) ISO 4624 (1978)

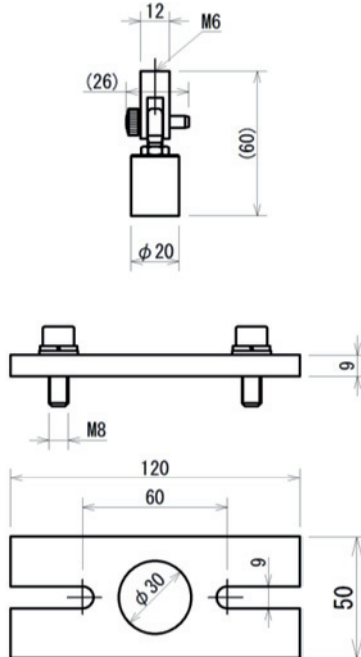
Adhesive is not included

Dimensional drawing

TH-1000N-7



TH-1000N-20



TH-5000N-20

