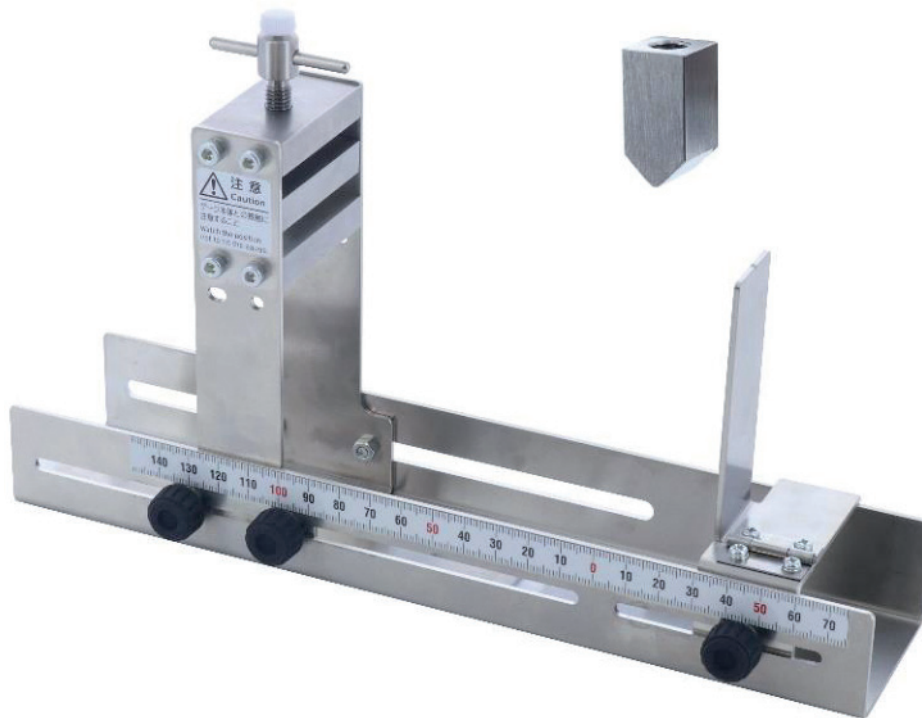


Fixture for bending tests CBJ-200N



CBJ-200N

Feature

- Ideal for cantilever bending tests of samples such as cutlery, cotton swabs, toothbrushes, needles and more
- Easy to adjust the pressing point at the sample according to the scale.
- Aligning the sample with the adjustment plate allows measurements to be made under the same conditions.

Applications



Note

- All information is subject to change without prior notice.
- Particular materials and shape can not be used.

Specifications

Model	CBJ-200N
Capacity	200 N
Max. sample width	50 mm
Max. sample thickness	25 mm
Distance form fulcrum to load applying point*	10 - 150 mm
Probe tip radius	R1
Weight**	Probe + extension shaft: approx. 45 g Base: approx. 1065 g
Mounting screw	M6

For an accurate measurement, the bend angle must be 45 degrees or less during the test.

When measuring with the extension shaft, a force gauge with a capacity of at least 20 N must be used.

* If the distance between the fulcrum and the load applying point is less than 40 mm, the extension shaft must be used for the measurement

**The weight of the attachment is also applied as load on the force gauge and had to be considered when selecting the capacity.

Dimensional drawing

