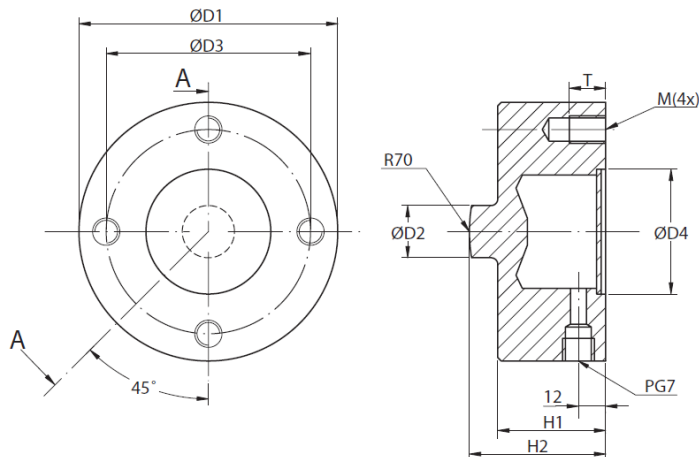


## Load Cell Model DD2 / eDD2



Model with Amplifier ZTS/ZTA*	Model with Amplifier eZT**	Measuring Range	D1	H1	D2	H2	D3	M	T
DD2-5000N	eDD2-5000N	5000 N	Ø94	35.5	Ø23	48	Ø80	M5	12
DD2-10kN	eDD2-10kN	10 kN							
DD2-20kN	eDD2-20kN	20 kN							

\* Accuracy ± 0.5 % full scale

\*\* Accuracy ± 0.7 % full scale