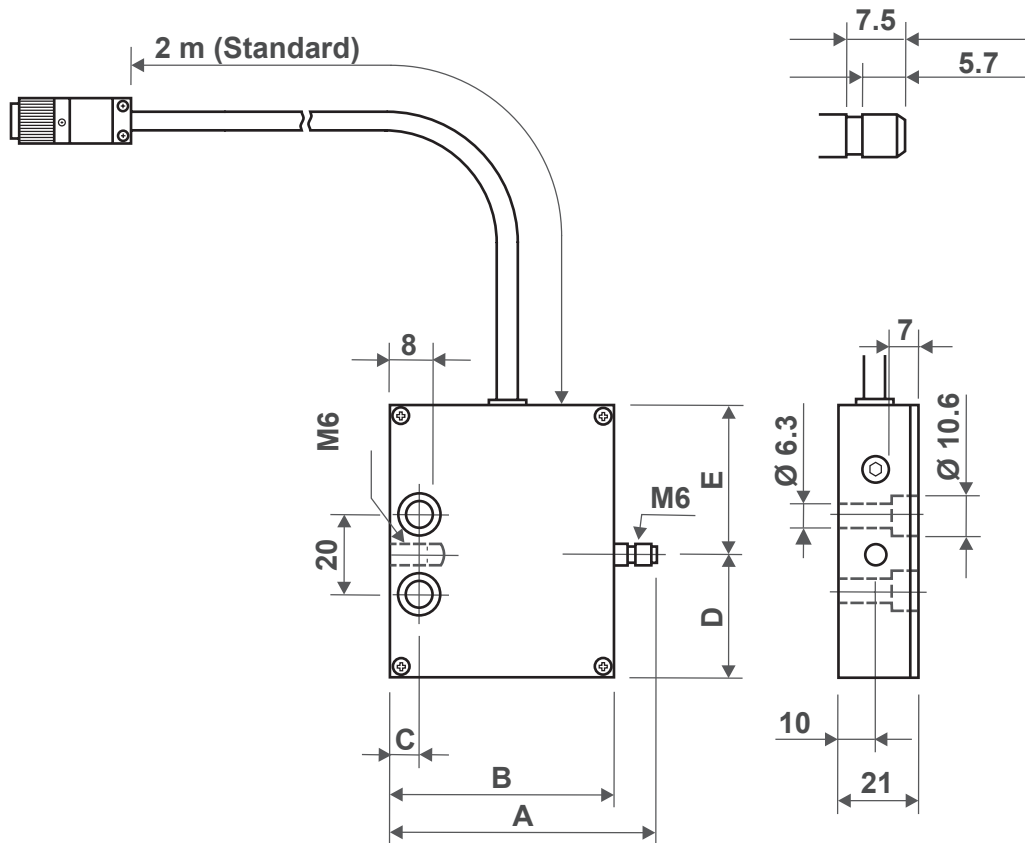


Load Cell Model DPU / eDPU: 2N to 500N



Model with Amplifier ZTS/ZTA*	Model with Amplifier eZT**	Measuring Range	A	B	C	D	E	Measuring Shaft
DPU-2N	eDPU-2N	2 N	71	57	12	26	32	M 6
DPU-5N	eDPU-5N	5 N						
DPU-10N	eDPU-10N	10 N						
DPU-20N	eDPU-20N	20 N	73	59	7.5	33	39	
DPU-50N	eDPU-50N	50 N						
DPU-100N	eDPU-100N	100 N						
DPU-200N	eDPU-200N	200 N						
DPU-500N	eDPU-500N	500 N						

* Accuracy $\pm 0.2\%$ full scale

** Accuracy $\pm 0.4\%$ full scale