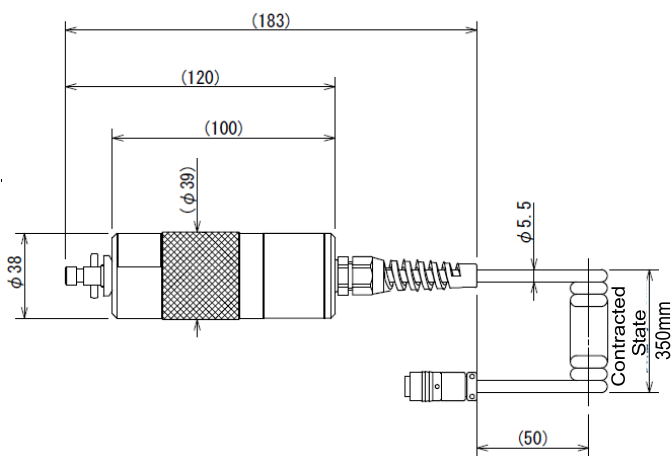
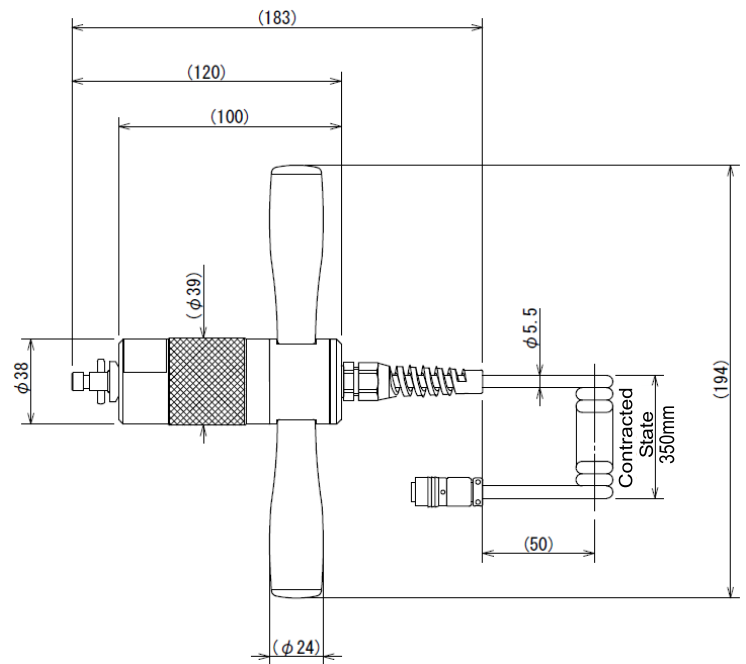


Load Cell Model eHT

eHT-0.5N/2N/5N



eHT-10N



Amplifier eZT

| Model | Measuring Range | Accuracy |
|----------|-----------------|----------|
| eHT-0.5N | 50 Ncm | ±0.7% FS |
| eHT-2N | 2 Nm | |
| eHT-5N | 5 Nm | |
| eHT-10N | 10 Nm | |