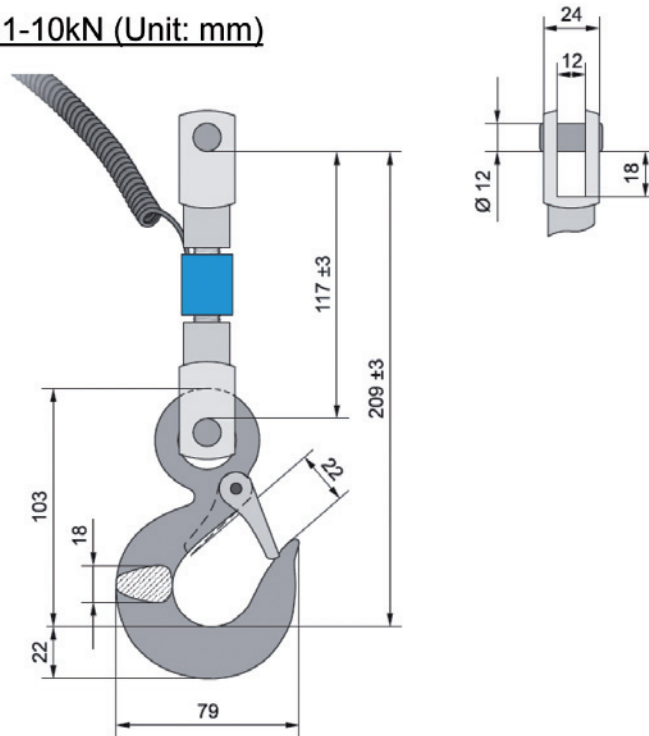


Load Cell ZW1-10kN / eZW1-10kN

ZW1-10kN (Unit: mm)



Amplifier ZTS/ZTA

Model	Measuring Range	Accuracy
ZW1-10kN	10 kN	± 1.0 % FS

Amplifier eZT

Model	Measuring Range	Accuracy
eZW1-10kN	10 kN	± 1.2 % FS