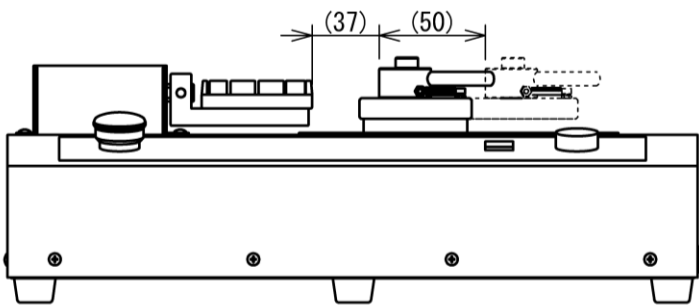
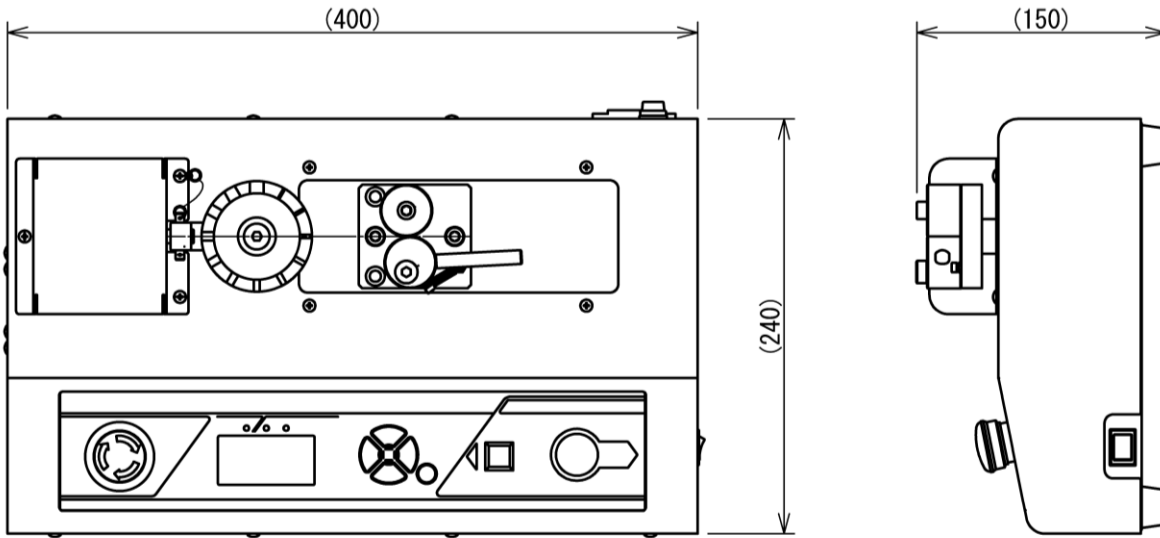


Test Stand ACT-1000N



Trench dimensions of Wire Terminal Jig	1, 1.5, 2, 2.5, 3, 3.5, 4, 4.5, 5, 6, 7, 8 (mm)
Allowable diameter of wire clamp jig	1~8 (mm)

Wire Terminal Jig (Included)

Wire Round Terminal Jig: ACT-T-01(Optional)

