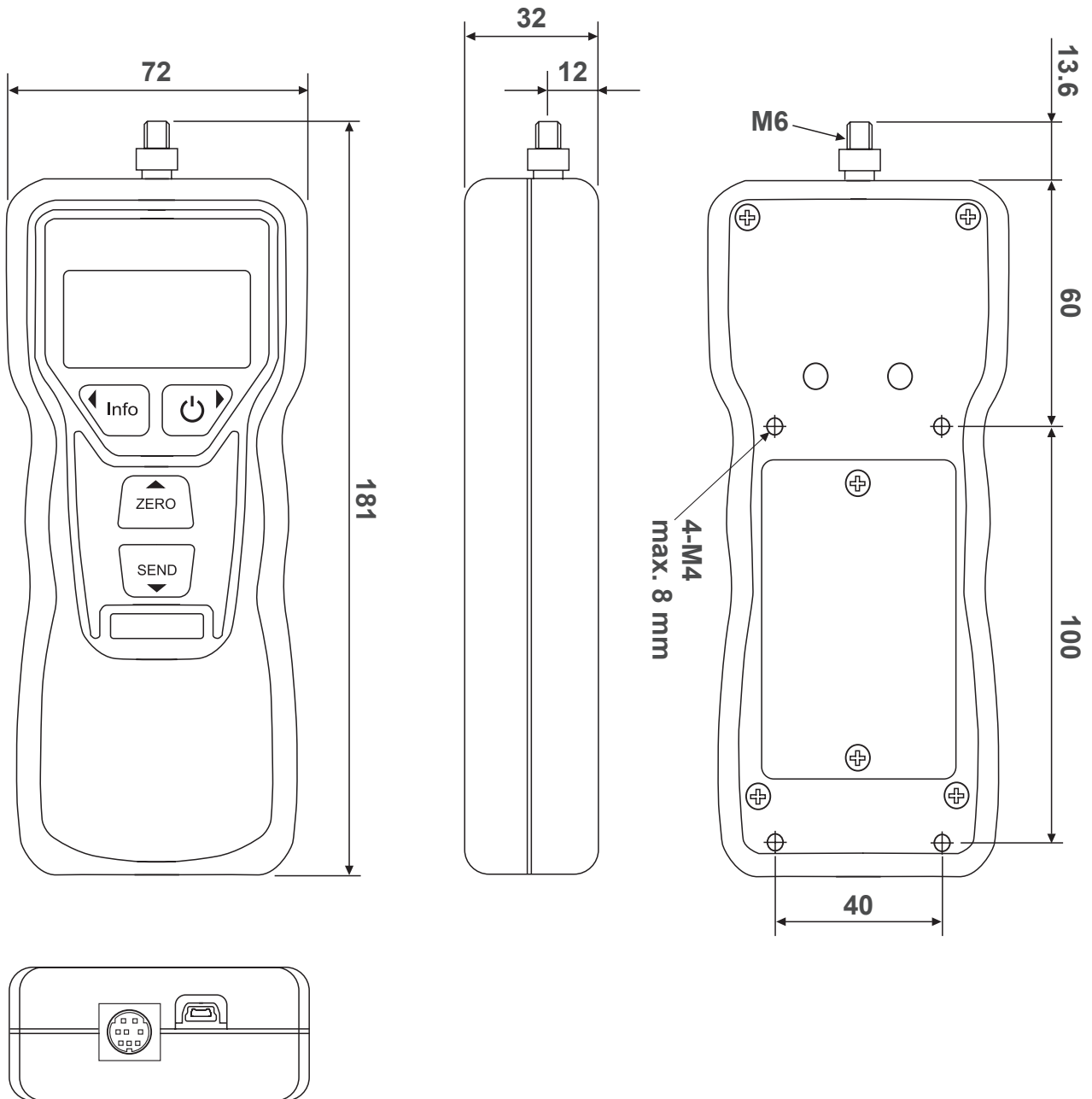


Force Gauge Model DST and DSV



dimensions in mm