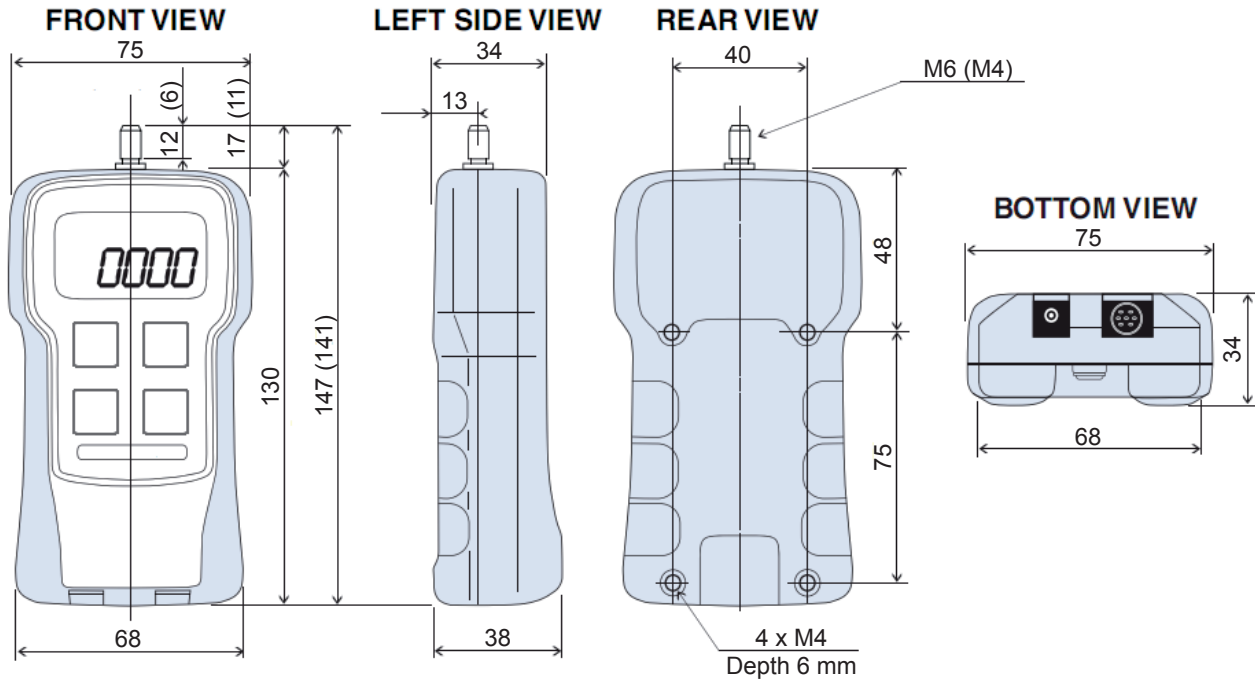


Force Gauge Model FGJN



Mounting thread 4 x M4 - Depth max. 6 mm

Dimensions in bracket: Model FGJN-0.2 and Model FGJN-0.5