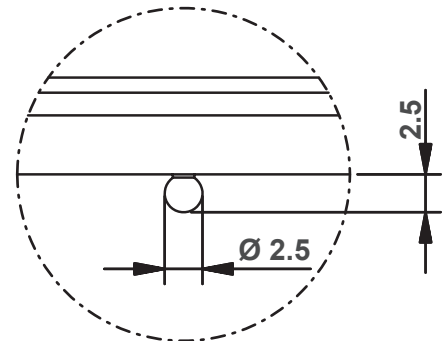
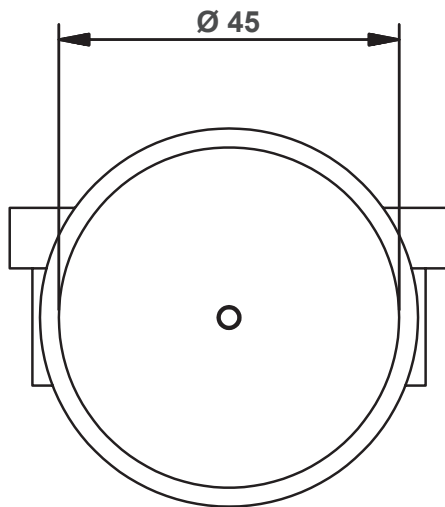
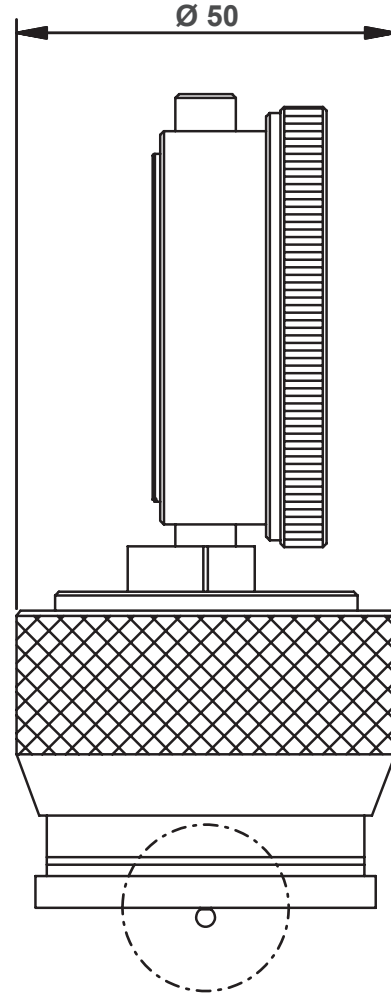
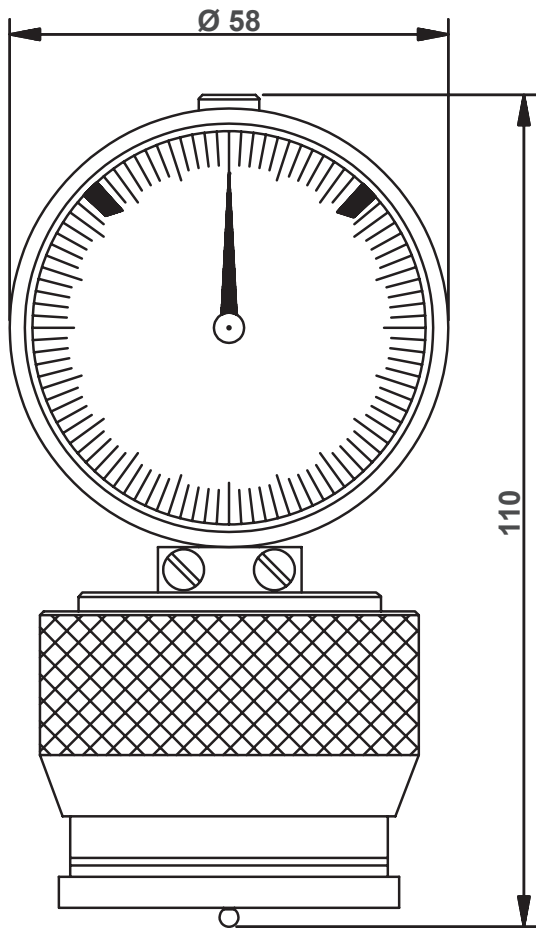


# Durometer HP-2.5-F



all dimensions in mm