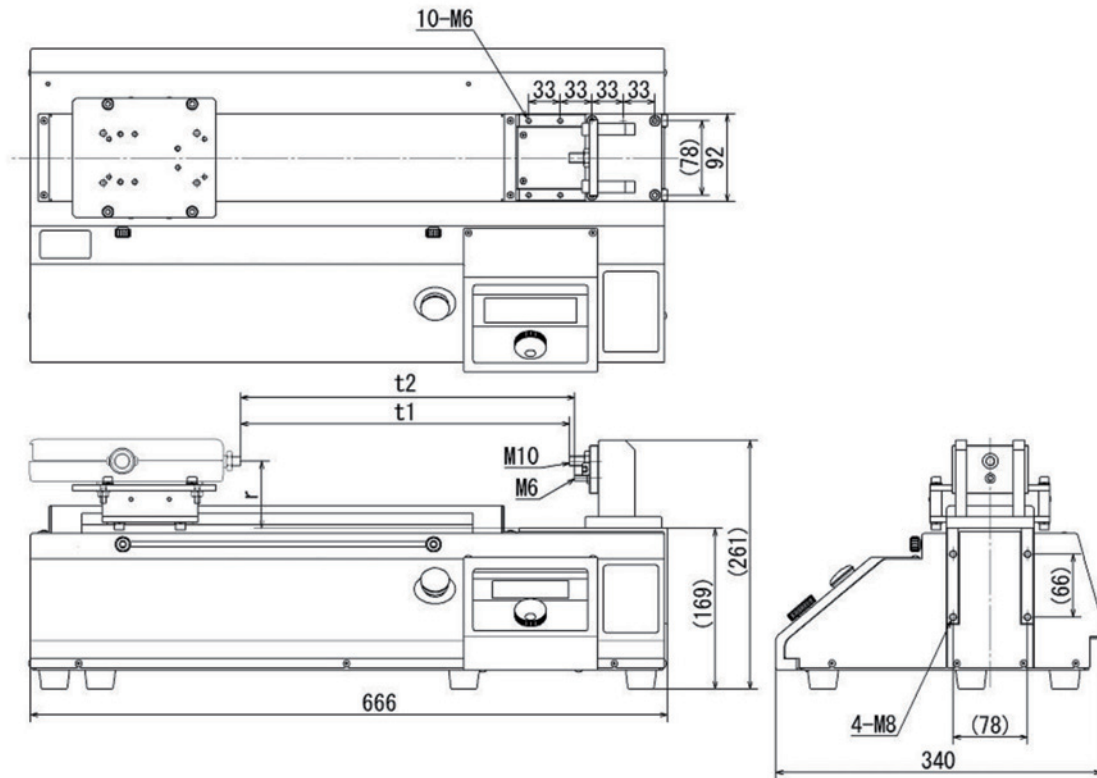


Test Stand Model MH2-2500N



Model		MH2-500N
r	ZTS/ZTA (2500 N or higher)	70.5
	ZTS/ZTA (up to 1000 N)	57.5
	DPU (1000 - 5000 N; mounting block is not included)	70.5
	DPU (up to 500 N)	55.5
t1	ZTS/ZTA (2500 N or higher)	0 - 340
	DPU (1000 - 5000 N; mounting block is not included)	0 - 310
t2	ZTS/ZTA (up to 1000 N)	0 - 300
	DPU (up to 500 N)	70 - 350

Unit: mm