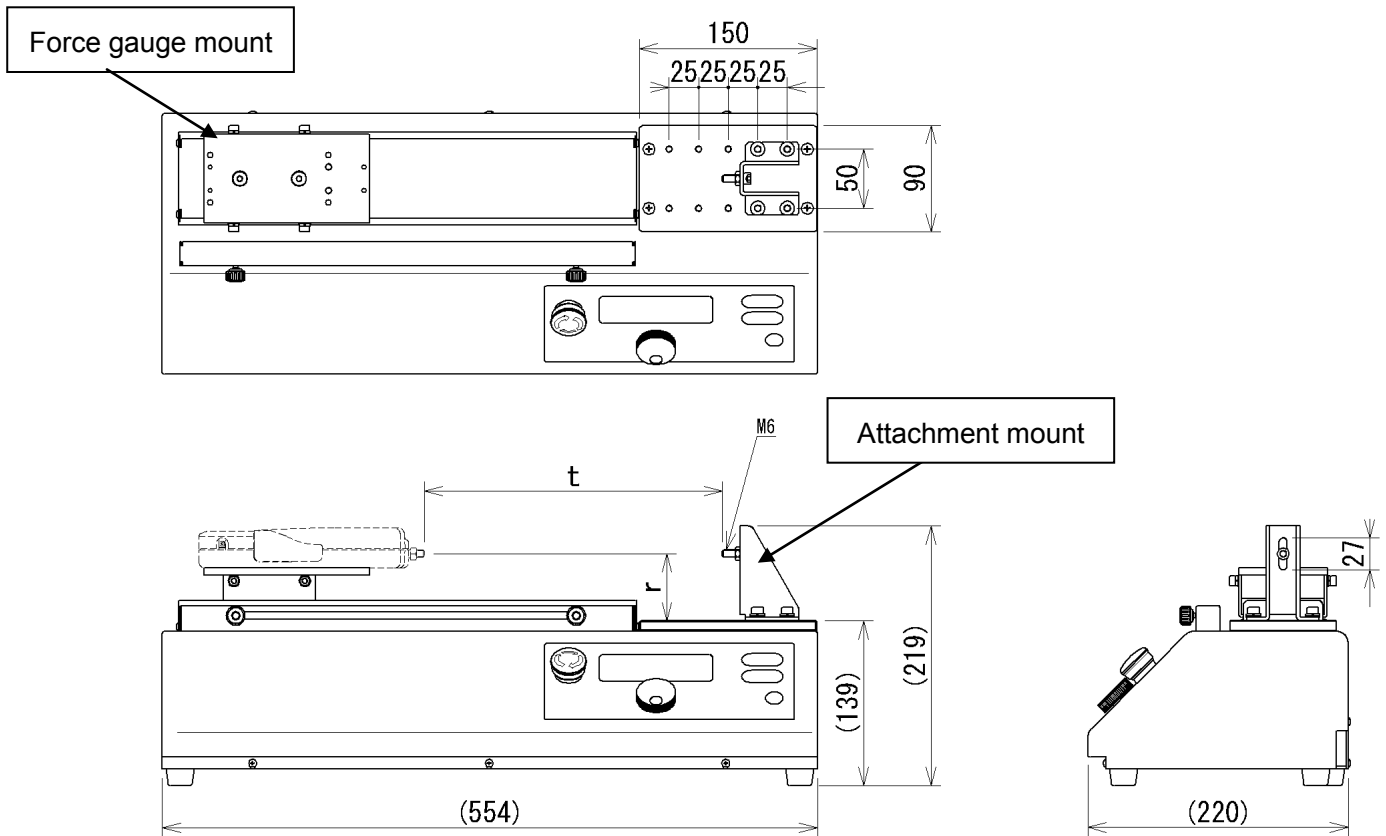


# Test Stand Model MH2-500N



Model		MH2-500N
r	DST/DSV/ZTS/ZTA ( 2 N up to 500 N)	56
	DPU (up to 500 N)	54
t	DST/DSV	250
	ZTS/ZTA (2 N up to 500 N)	245
	DPU (2 N up to 10 N)	270
	DPU (20 N up to 500 N)	260

Unit: mm