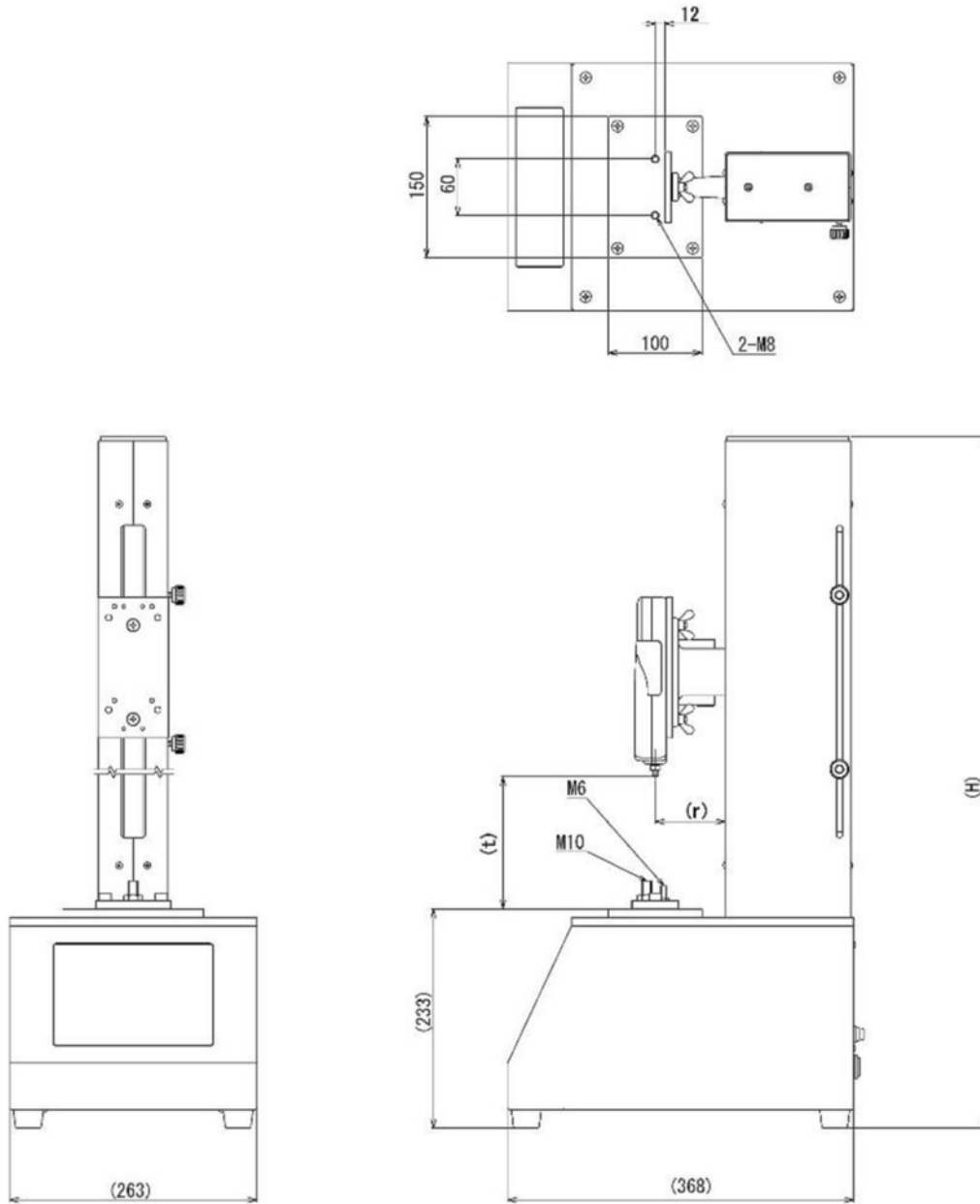
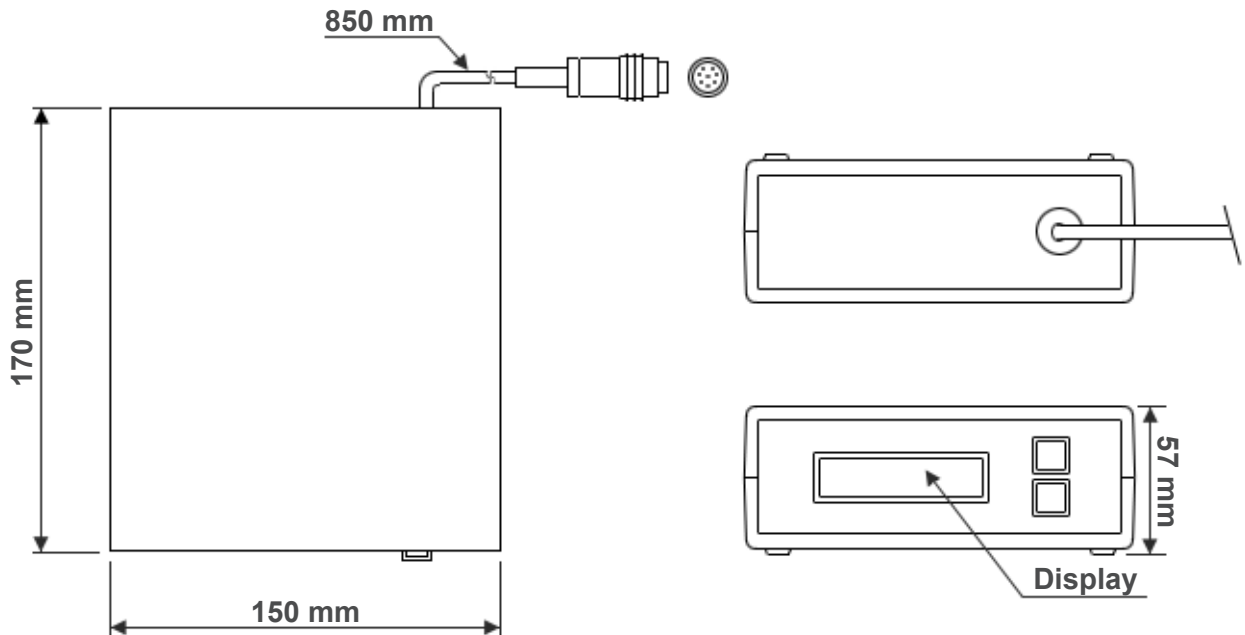


# Test Stand Model MX-1000N



		MX-1000N	MX-1000N-L
H		903	1153
r	with DST/DSV/ZTS/ZTA (2 N to 1000 N)	74	
t	with DST/DSV	430	680
	with ZTS/ZTA (2 N to 1000 N)	420	670

## Distance and Speed Measuring System Code E



## Timer and Counter Unit Code TM

