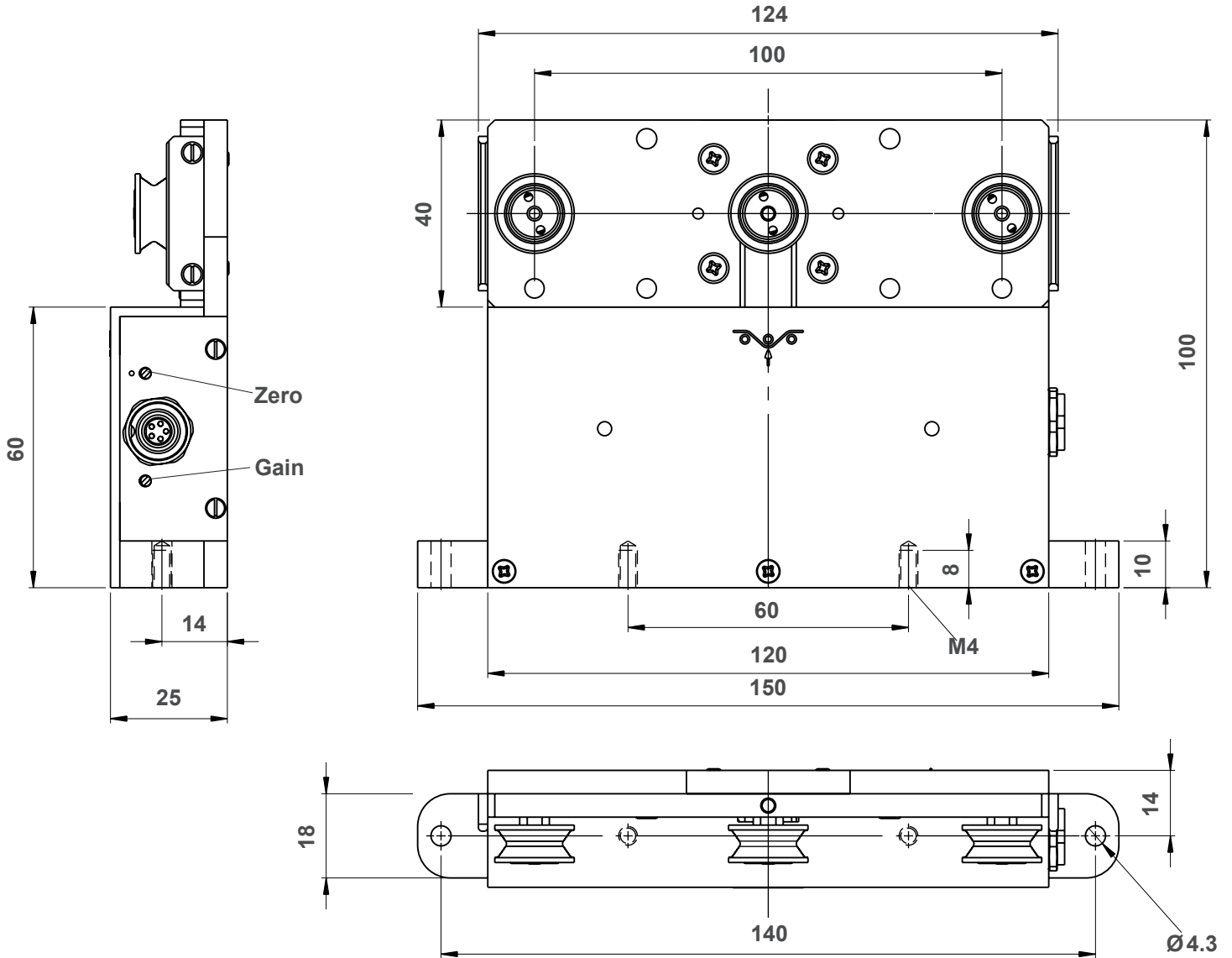


# Tension Sensor Model MZ1



Unit: mm