



Instruction Manual

Valid as of: 01.02.2022 • Please keep the manual for future reference!



Contents

1	Warranty and Liability	4	
1.1	Notices within the Operating Instructions	4	
1.2	Responsibilities of the Operating Company	4	
1.3	Responsibilities of the Personnel	4	
1.4	Informal Safety Measures	5	
1.5	Training of the Personnel	5	
1.6	Intended Use	5	
1.7	Dangers in Handling the Device	5	
1.8	Copyright	5	
1.9	Declaration of Conformity, RoHs II and WEEE Registration	5	
2	Available Models	6	
2.1	Specifications	6	
2.2	Connecting the Tension Meter	7	
2.3	Delivery Includes	7	
2.4	Optional Accessories	7	
2.5	Unpacking	7	
	3	Operations	7
3.1	Notes before starting measurement	7	
3.2	Operating and display elements	8	
3.3	Setup	10	
3.3.1	Charging the Battery	10	
3.3.2	Battery change	10	
3.3.3	Switching the tension meter on	11	
3.3.4	Switching the tension meter off	11	
3.4	Tension meter settings	11	
3.4.1	Material menu	13	
3.4.2	Password	13	
3.4.3	Factory reset	14	
3.5	Operating Procedure	14	
3.5.1	Zero adjustment of the measurement position	14	
3.5.2	Measuring the Upper Tension	15	
3.3.3	Measuring the Lower Tension	16	
3.5.4	Damping	17	
3.5.5	Using the alarm function	17	
3.5.6	Cal. Adjustment	18	
3.6	Creating a material characteristic	19	
3.6.1	Setup for calibration	19	
3.6.2	Calibration procedure	20	
3.6.3	Verifying the calibration	22	
3.7	Memory functions	23	
3.7.1	Selecting the memory mode	24	
3.7.2	Memory mode "S" – standard	24	
3.7.2.1	Saving Data	24	
3.7.2.2	Displaying the saved measured values	25	
3.7.2.3	Displaying the saved measured values on a PC	25	
3.7.2.4	Deleting the saved measured values	25	

3.7.3	Memory mode “C”	26
3.7.3.1	Saving data	26
3.7.3.2	Displaying the saved measured values.....	26
3.7.3.3	Displaying the saved measured values on a PC.....	27
3.7.3.4	Deleting the saved measured values	27
3.7.4	Memory mode “F”	28
3.7.4.1	Saving data	28
3.7.4.2	Displaying the saved measured values.....	28
3.7.4.3	Displaying the saved measured values on a PC.....	29
3.7.4.4	Deleting the saved measured values	29
3.7.5	Memory mode “H”	30
3.7.5.1	Saving data	30
3.7.5.2	Displaying the saved measured values.....	31
3.7.5.3	Displaying the saved measured values on a PC.....	31
3.7.5.4	Deleting the saved measured values	32
3.7.6	Memory mode “D”	32
3.7.6.1	Saving data	32
3.7.6.2	Displaying the saved measured values.....	32
3.7.6.3	Displaying the saved measured values on a PC.....	33
3.7.6.4	Deleting the saved measured values	33
4	PC Communication (USB Interface).....	33
4.1	Installing the USB Driver	33
4.2	Terminal program	34
5	Service and Maintenance.....	34
6	Cleaning.....	34
7	Correspondence	35
8	Repairs.....	35

1 Warranty and Liability

In principle, the supply of the device is subject to our "General Conditions of Sale and Delivery." These have been provided to the operating company on conclusion of the contract, at the latest.

Warranty:

- SCHMIDT tension meters are warranted for 12 months.

Parts subject to wear, electronic components and measuring springs are not covered by the warranty. No warranty or liability will be accepted for bodily injury or property damage resulting from one or several of the following causes:

- Misuse or abuse of the device.
- Improper mounting, commissioning, operation and maintenance of the device (e.g. verification interval).
- Operation of the device if any safeguards are defective or if any safety and protection precautions are not properly installed or not operative.
- Failure to comply with the notices in the Operating Instructions regarding transport, storage, mounting, commissioning, operation, maintenance and setup of the device.
- Any unauthorized structural alteration of the device.
- Insufficient inspection of device components that are subject to wear.
- Opening the device or improper repair work.
- Disasters caused by the effects of foreign objects or by force majeure.

1.1 Notices within the Operating Instructions

The fundamental prerequisite for the safe handling of this device and its troublefree operation is the knowledge of the basic safety notices and safety instructions.

These Operating Instructions contain the most important notices for the safe operation of the device.

These Operating Instructions, in particular the safety notices, must be observed by any person who works with the device. In addition, the local valid rules and regulations for the prevention of accidents must be complied with.

The representations within the Operating Instructions are not true to scale.

The dimensions given are not binding.

General indications of direction, such as FRONT, REAR, RIGHT, LEFT apply when viewing the front of the device.

1.2 Responsibilities of the Operating Company

In compliance with the EC Directive 89/655/EEC, the operating company agrees to only permit persons to work with the device who:

- are familiar with the basic regulations on industrial safety and accident prevention and who have been trained in handling the device.
- have read and understood the chapter on safety and the warning notices in these Operating Instructions and have confirmed this with their signatures.
- are examined regularly on their safe and conscientious working method.

1.3 Responsibilities of the Personnel

All persons who work with the device agree to perform the following duties before starting work:

- to observe the basic regulations on industrial safety and accident prevention.
- to read the chapter on safety and the warning notices in these Operating Instructions and to confirm with their signatures that they have understood them.

1.4 Informal Safety Measures

The Operating Instructions must always be kept on hand where the device is operated. Apart from the Operating Instructions, the general and local valid regulations on accident prevention and environmental protection must be provided and complied with.

1.5 Training of the Personnel

Only trained and instructed personnel is permitted to work with the device. The responsibilities of the personnel must be clearly defined for mounting, commissioning, operation, setup, maintenance and repair. Trainees may only work with the device under the supervision of an experienced personnel

1.6 Intended Use

The device is intended exclusively to be used as a tension meter. Any other use or any use exceeding this intention will be regarded as misuse. Under no circumstances shall HANS SCHMIDT & Co GmbH be held liable for damage resulting from misuse.

The intended use also includes:

- Complying with all notices included in the Operating Instructions and observing all inspection and maintenance works.

1.7 Dangers in Handling the Device

The device was designed according to the state of the art and the approved safety standards. Nevertheless, its use may cause serious or fatal injury to the user or third persons, and/or an impairment of the device or of other material assets.

The device may only be applied:

- For its intended use in a faultless condition with regard to the safety requirements.
- Malfunctions that could impair safety must be remedied immediately.
- Personal protective equipment must be used according to the EC Directive 89/686/EEC.



The device must not be operated in potential explosive areas and must not come into contact with aggressive substances.

1.8 Copyright

The copyright on these Operating Instructions remains with the company HANS SCHMIDT & Co GmbH.

These Operating Instructions are intended for the operating company and its personnel only. They contain instructions and notices that may only be reproduced on the prior written permission of

HANS SCHMIDT & Co GmbH

and under indication of the complete reference data. Violations will be prosecuted.

1.9 Declaration of Conformity, RoHs II and WEEE Registration

In compliance with the EU Directives 2014/30/EU and 2011/65/EU



HANS SCHMIDT & CO GmbH is registered in compliance with the German Electrical and Electronic Equipment Act (ElektroG) under WEEE Reg. No. DE 48092317.

2 Available Models

Model	Tension Range cN	*SCHMIDT Calibration Material
MST-200	1 - 200	PA: 0.12 mm Ø
MST-500	1 - 500	PA: 0.20 mm Ø
MST-1000	1 - 1000	PA: 0.30 mm Ø
MST-2000	1 - 2000	PA: 0.50 mm Ø

* Suitable for 95% of all applications. PA = Polyamide Monofilament.
 If the material to be measured differs significant from the SCHMIDT calibration material in diameter, rigidity, shape, etc., we recommend calibration using customer supplied material. For this purpose a material sample of about 5 m should be supplied.
 International unit of tensile force: 1 cN = 1.02 g = 0.01 N

2.1 Specifications

Calibration:	Acc. to SCHMIDT factory procedure
Accuracy:	± 1 % FS* ± 1 digit (typically ± 0.5 % FS*)
Overrange:	10 % FS*, without accuracy guarantee
Overload Protection:	200 % FS*
Measuring Principle:	Strain gauge bridge
Meas. Roller Deflection:	max. 0.5 mm
Signal Processing:	Digital
Damping:	Adjustable electronically (averaging)
Meas. Frequency:	Approx. 1 kHz internally
Display Update Rate:	2x per sec.
Display:	Colour-TFT 128 x 160
Memory:	Average, last value, maximum, minimum
Temperature Coefficient:	Gain: less than ± 0.01% FS*/°C
Output Signal	USB
Temperature Range:	10 - 45° C
Air Humidity:	85% RH, max.
Auto Power Off:	Automatically after approx. 3 min. of non-use
Take-up speed:	~ 9 m/min
Power Supply:	Li-Ion battery 18650, 3500 mAh, 12.6 Wh, protected
Housing Material:	Aluminium profile with plastic outer casing (PVC)
Housing Dimensions (incl. clamping device):	208 mm x 80 (124) mm x 106 mm (W x D x H)
Weight , tension meter:	840 g
Weight , suction cup:	500 g

*FS = Full Scale

Guide Rollers:

V-grooved	Line Speed m/min max.	Roller Material
Standard	2000	Hard-coated aluminium

2.2 Connecting the Tension Meter



The requirements of the CE specification are only complied with if the tension meter is equipped and operated with connecting cables supplied by HANS SCHMIDT & Co GmbH. Certification to the CE specification does not extend to, and shall be invalid for any other combination. Under no circumstances shall HANS SCHMIDT & Co GmbH be held liable for any damage resulting from the use of non-SCHMIDT sensors or cables.

2.3 Delivery Includes

- Tension meter with Li-Ion battery 18650
- 1 carrying case
- 1 USB AC adapter for 100 - 240 V AC with 4 adapters (EU/USA/UK/AUS-NZ)
- 1 Operating Instructions
- 1 Vacuum base

2.4 Optional Accessories

SW-TI3: »TENSION INSPECT 3« Software for PC with Win 7 or higher

2.5 Unpacking

Unpack the tension meter and inspect it for any shipping damage. Notices of defect must be announced immediately, at the latest within 7 days on receipt of the goods.

3 Operations

3.1 Notes before starting measurement



Have you read and understood the Operating Instructions, in particular Chapter 1 “Basic Safety Notices”? You are not permitted to operate the instrument before doing so.

Before working with the instrument you must put on your personal protective clothing, if necessary. For example, eye protectors, gloves, etc.
To avoid damage, do not move the center roller by hand.

Tensions that exceed the tension range of the instrument by more than 100% may cause permanent damage to the measuring spring and must be avoided under any circumstances.



The ID plate with the CE mark and the serial number as well as the calibration label (optional) and the SCHMIDT Quality Seal are provided at the rear side of the instrument.

3.2 Operating and display elements

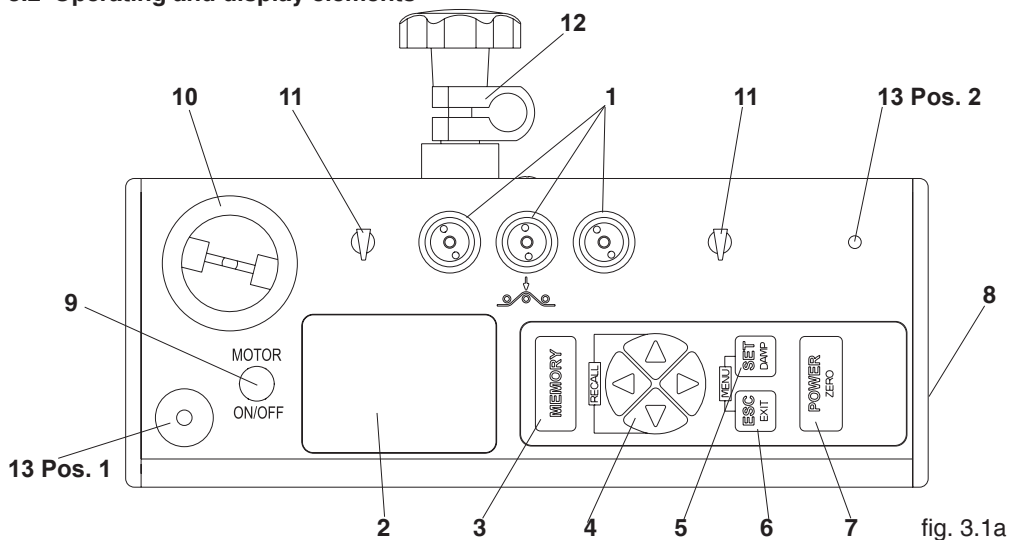


fig. 3.1a

- | | |
|---------------------|-------------------------------------|
| 1 Rollers | 8 USB interface / power connector |
| 2 Display | 9 Switch ON / OFF motor |
| 3 „MEMORY“ key | 10 Take off roller |
| 4 Arrow keys | 11 Ceramic eyes |
| 5 „SET / DAMP“ key | 12 Clamping device for suction cup |
| 6 „ESC / EXIT“ key | 13 Fixture to determine bobbin case |
| 7 „POWER / ZERO key | |

Numeric display

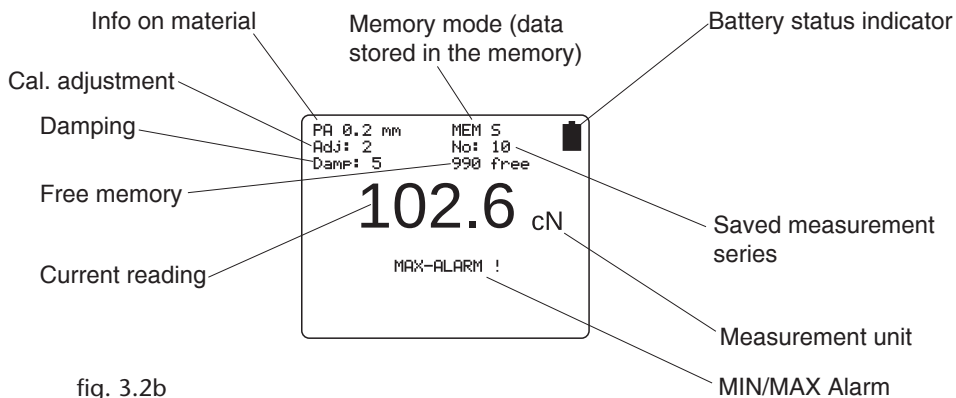


fig. 3.2b

3.2 Operating and display elements

Display with bargraph

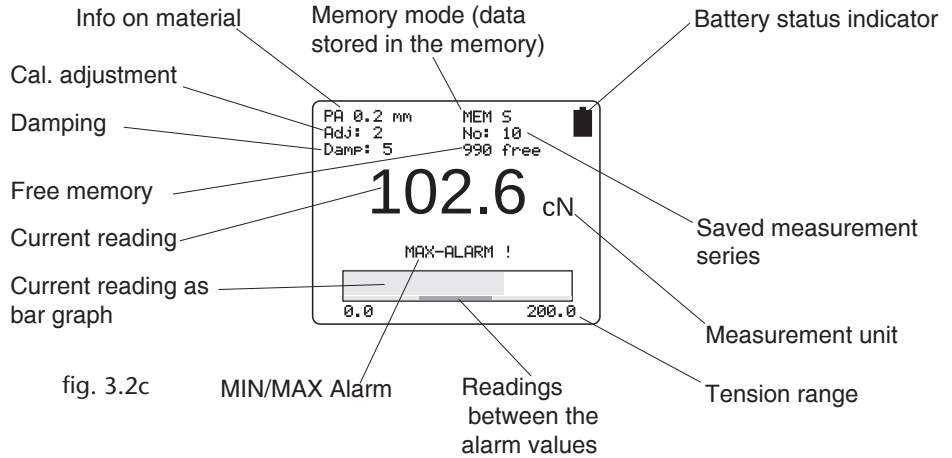


fig. 3.2c

Graphic display

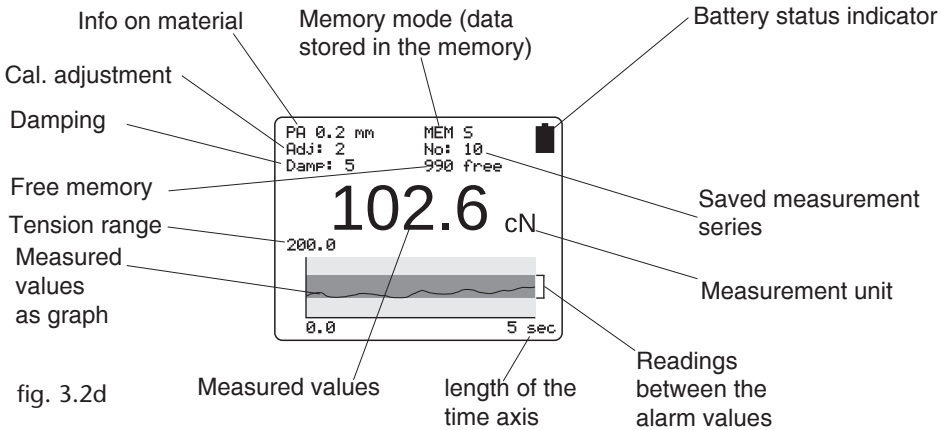



fig. 3.2d

- i** The Y-axis can be scaled with the ▲ and ▼ buttons.
3 Scalings: total measuring range, set limits range plus approx. 1/3 of MAX.-alarm value and minus approx. 1/3 of MIN.-alarm value, if limit values are entered and the damping is not activated.
 With the ◀ or ▶ button the X-axis can be scaled. The setting range is 2 to 60 sec.
 The scaling can also be changed during the measurement, whereby values already displayed are deleted when the X-axis is changed.

3.3 Setup

The tension meter is delivered with a built-in rechargeable Li-Ion battery 18650, which has been charged at the factory. The tension meter can only be switched on if the battery is still working, i.e. if the battery has enough charge. If the instrument does not power up or if the battery level indicator shows a low charge  after power-up (Chapter 3.3.2), the battery needs to be recharged.



To ensure maximum battery life, avoid charging or discharging it completely or charging it frequently for short periods. The battery should not be stored for an extended period of time when empty. Regular use increases the lifetime. When using batteries with a lower capacity, the runtime of the device is shortened between two charging cycles.

3.3.1 Charging the Battery



The battery can only be charged at a temperature between +5 °C and +40 °C. Before you connect the AC adapter, verify that the supply voltage is correct (100 V - 240 V).

HANS SCHMIDT & Co. GmbH provides no warranty or liability for any damage resulting from the use of AC adapters from other manufacturers.

To charge the battery connect the cable of the AC adapter to the USB output. The battery can also be charged by connecting the USB cable to a PC.

When the battery is fully charged, the battery level indicator will be shown full .



Battery overcharging is not possible

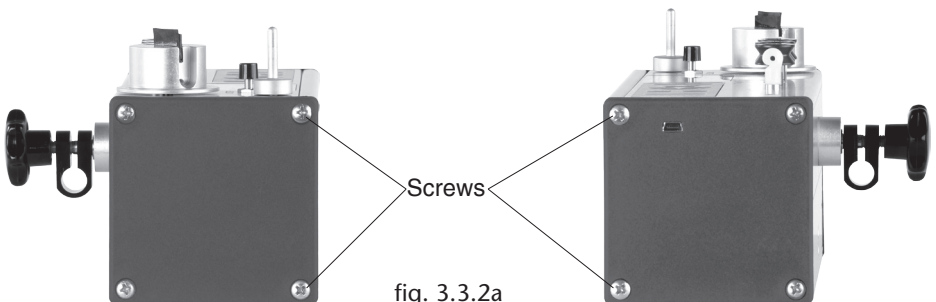
3.3.2 Battery change Requirements:

Tension meter switched off

- Loosen the front screws on the housing sides.
- Remove housing cover
- Remove the old battery and replace it with a new one. Make sure that the battery is inserted correctly.
- Put on the housing cover and fix it with the screws



Used batteries must be disposed of in compliance with local regulations.



3.3.2 Battery change (Cont.)

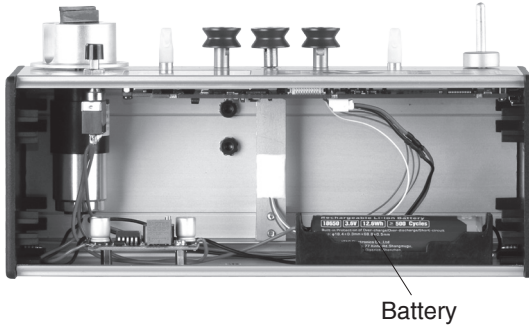



fig. 3.3.2b

3.3.3 Switching the tension meter on

Press and hold the  button (for approx. 1 sec.) until the DISPLAY shows the measuring range, the software and hardware versions, e.g. E 1.0, and then "0".

During startup, the tension meter performs an automatic zero adjustment. If the tension meter does not display zero, perform a manual zero adjustment procedure (see chapter 3.5.1).

Holding the  button makes the display freeze so that you can read the measuring range and the software and hardware versions.



While switch-on the tension meter, make sure not to move it. Otherwise, the automatic zero adjustment will be faulty.

3.3.4 Switching the tension meter off









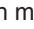



Automatic switch-off (if enabled):

- After an idle period of 3 minutes, the tension meter switches off.

Manual switch-off:

- Press and hold the  button for 5 seconds.

3.4 Tension meter settings

- Press the  and  buttons simultaneously to access the main menu.
- The  and  buttons can be used to select the various menu items of the main menu, the submenus and the settings menus.
- Press the  button to open the selected menu; by pressing the  or  button you can close the menu without saving changes.
- In menus with multi-digit fields (e.g. date) use the  and  buttons to move forward and backward between digits.
- Press the  button to save the settings and exit the settings menu or press the  button to exit the current menu without saving.
- To exit the main menu press the  button.

3.4 Tension meter settings Cont.

Main Menu	Submenu	Settings Menu	Description
Material	[1] to [4]		Chapter 3.4.1 Material-Set-up
Cal. Adjustment	—	[- 10 %] - [+ 10 %]	Chapter 3.5.6
Display Chapter 3.2	—	[numeric] [Bargraph] [Graphic]	<ul style="list-style-type: none"> Measured value displayed as number and alarm monitoring Measured value displayed as number, bar graph trend display and alarm monitoring Measured value displayed as graphical trend, measured value/limit values as graph
Alarms	—	[ON] , [OFF]	<p>Activate/deactivate the alarm for all calibrations.</p> <p>The alarm of a material characteristic is only active if the [Alarm] menu item in Material Setup is activated as well.</p>
Display Settings	Backlight	[ON], [AUTO]	Switch the display light on or off. With the AUTO setting, the light switches on and off automatically depending on the ambient light.
	Brightness	[1], [2] , [3]	Set the display brightness.
	Colortheme	[white] , [black]	A white or black display background can be adjusted
	Screen Rotation	[0°], [90°], [180°]; [270°], [AUTO]	To set the display orientation to be fixed or to automatically adapt to the current orientation of the device.
System Settings	Tension Unit	[cN] , [g], [lb], [N],	<p>Set the measurement unit.</p> <p>The available units may vary depending on the measuring range of the device.</p>
	Auto Power Off	[ON] , [OFF]	Toggle the „Auto Power off“ function on and off.
	Language	[EN] , [DE]	Select between the english and german user language.
	Date/Time	[Time], [Date], [Timeformat]	Set the time, date, and date/time format.
	Password	[0] , [1], [2], [3]	Chapter 3.4.2
	Factory reset		Reset to the factory settings.
Memory Settings	Memory Mode	[S] , [C], [F], [H], [D]	Chapter 3.7

Factory settings are illustrated bold

3.4.1 Material menu

In the material menu you can make the settings for the selected material characteristics and perform the calibration. To perform the calibration, the weights for the selected calibration points must be available.

Material Setup	Submenu	Settings Menu	Description
No. of the characteristic material curve 1 - 4	—	[character], [numbers], [special character]	to enter a name for the selected material characteristic. The name can also be adjusted by using the provided software
Damping	—	[1] - [9]; [5]	Chapter 3.5.4
Alarms	—	[ON] , [OFF]	To activate or deactivate the alarm function for the material characteristic.
High limit	—	[0000] - [9999]	If the set limit value is exceeded, the display reads MAX-ALARM.
Low limit	—	[0000] - [9999]	If the value falls below the set limit value, the display reads MIN-ALARM.
Calibration Chapter 3.6.2	Start		To perform a calibration, follow the instructions shown on the display.
	Cal. Points	between [5 %] and [90 %] of the tension range	Set three calibration points for which a calibration should be performed.
	Weights	[cN] , [g]	Set the unit of the calibration weights used.

Factory settings are illustrated bold

3.4.2 Password

By setting a password, you can block the access to some menu parts for unauthorized users. Therefor are 3 protection levels:

- 0 All menus are accessible (Factory setting)
- 1 The system setting menu is locked
- 2 The material, system setting, memory setting and cal. adjustment menus are locked
- 3 All menus are locked.

Apply the password protection

- Select the menu password (chapter 3.4)
- Insert a password and choose a protection level
- Exit the main menu, to apply the password protection



The factory setted password is „0000“

If you forgot the password, please contact HANS SCHMIDT & Co GmbH to request the master password.

3.4.3 Factory reset

A factory reset resets the tension meter to its original manufacturer settings. This procedure will delete all settings, including any customer-defined material characteristics (calibrations); the factory calibration, however, will be kept.



Customer calibrations will be deleted.

3.5 Operating Procedure

Requirements:

- Tension meter switched on as described in Chapter 3.3.3.
- Define the required tension meter settings (chapter 3.4)
- Select the desired material characteristic (chapter 3.4.1)
- Bring the tension meter into the desired measuring position and carry out a zero adjustment as described in chapter 3.5.1, if required.

3.5.1 Zero adjustment of the measurement position

Each time the measurement position is changed, the tension meter will automatically perform a zero adjustment.




If the tension meter does not display zero in its measuring position, perform a manual zero adjustment procedure.

For this purpose, no material to be measured must have been inserted yet!

Requirements:

- The tension meter has been switched on as described in chapter 3.3.3.

To carry out zero adjustment:

- Bring the tension meter into the desired measuring position and make sure not to move it.
- Press the  button.

The Display momentarily shows  and then switches to .

The tension meter is now adjusted to its new measuring position and ready to take measurements.

3.5.2 Measuring the Upper Tension

To insert the process material:

- At the sewing machine, thread the upper thread all the way through to the take-up lever
- Thread the upper thread through the first ceramic eye,
- and then through the measuring rollers (see material path symbol on front side)
It is important to assure that the upper Thread runs smoothly between the measuring rollers.
- Thread the upper thread through the second ceramic eye,
- and clamp it in the rubber groove of the motor-driven take off Roller.

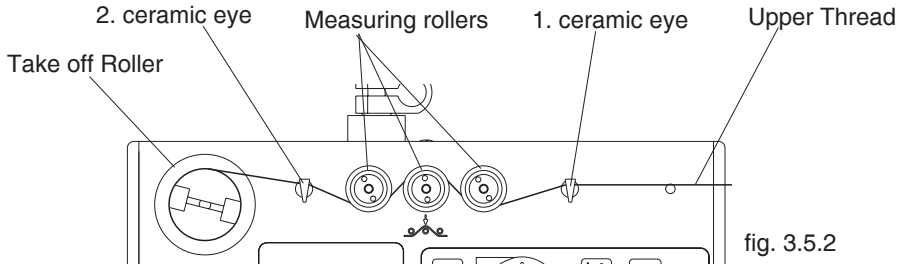


fig. 3.5.2

To measure the process material:

- Press the ON / OFF button to switch on the motor-driven take off roller.
The tension meter starts measuring.
- The display shows the measured tension values.
You can simultaneously set the desired upper tension at the corresponding setscrew of the sewing machine.

To remove the process material:

- Press the ON / OFF button to switch off the motor-driven take off roller.
- Remove the upper thread from the measuring rollers and cut it off at the take off roller with a scissors.

3.3.3 Measuring the Lower Tension

Requirements:

- Fixture to determine bobbin case removed from position 1 and screwed in at position 2.
- Tension meter switched on as described in Chapter 3.3.3.
- Define the required tension meter settings (chapter 3.4)
- Select the desired material characteristic (chapter 3.4.1)
- Bring the tension meter into the desired measuring position and carry out a zero adjustment as described in chapter 3.5.1, if required.

To insert the process material:

- Slip the bobbin case with the full lower-thread bobbin onto the fixture to determine bobbin case
- Properly insert the lower thread from the bobbin into the bobbin case.
- Thread the lower thread through the first ceramic eye,
- and then through the measuring rollers (see material path symbol on front side). It is important to assure that the lower thread runs smoothly between the measuring rollers.
- Thread the lower thread through the second ceramic eye,
- and clamp it in the rubber groove of the take off roller.

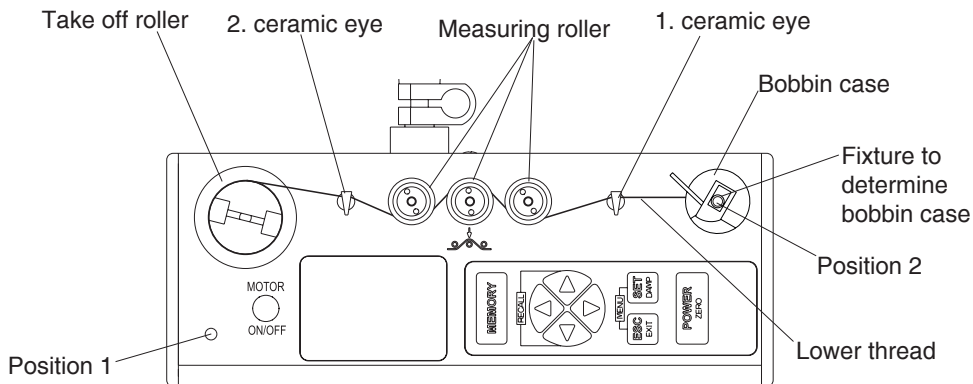


fig. 3.5.3

To measure the process material:

- Press the ON / OFF button to switch on the motor-driven take off roller. The tension meter starts measuring.
- The display shows the measured tension values. You can simultaneously set the desired lower tension at the corresponding setscrew of the bobbin case.

To remove the process material:

- Press the ON / OFF button to switch off the motor-driven take off roller.
- Remove the lower thread from the measuring rollers and cut it off at the take off roller with the supplied scissors.

3.5.4 Damping

Feature to be used for tensions that vary strongly

In the Damping menu (chapter 3.4.1), you can specify separate damping factors for each material characteristic. Back in the display mode, press the SET_{DAMP} button to activate or deactivate the damping function. This is recommended if the displayed values vary strongly. Press the \blacktriangle button to increase the damping value or the \blacktriangledown button to decrease it.



Changes made to the damping factor using the arrow keys are not saved permanently in the material characteristic. If you disable the damping feature or select a different material characteristic, the damping factor will be reset to the value originally saved for the material characteristic.

The factory setting for the damping factor is 5. The average shown on the display is calculated as follows:

$$\frac{5 \text{ old measured values} + 4 \text{ new measured values}}{9}$$

Damping can be changed in 9 steps from 01 = low damping:

$$\frac{1 \text{ old measured value} + 8 \text{ new measured values}}{9}$$

to 9 = high damping:

$$\frac{8 \text{ old measured values} + 1 \text{ new measured value}}{9}$$

3.5.5 Using the alarm function

Requirements:

In the Material Setup menu, make sure that the MIN and MAX limit values have been set for each material characteristic.

The limit value alarm has to be enabled in the main menu.


3.5.6 Cal. Adjustment

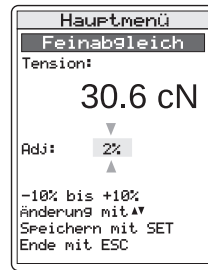
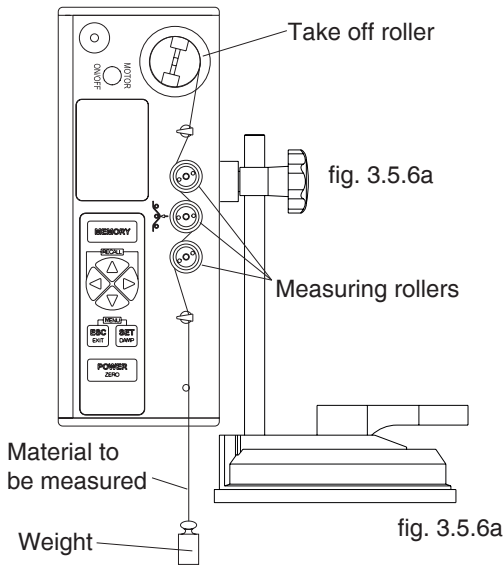
By performing a calibration adjustment, you can adjust a material characteristic calibrated for a particular material to a different material or diameter without creating a new material characteristic.

Requirements:

- Prepare the measuring setup as shown in Fig. 3.5.6a.
- Select the desired material characteristic (chapter 3.4.1).
- Move the tension meter into the desired measuring position and carry out a zero adjustment, if required.

Adjusting:

- Select the „Cal. Adjustment“ menu item from the main menu (Fig. 3.5.6b)
- Insert the material to be measured (chapter 3.5.2) and push the thumbpiece into the measuring position.
- Press the ▲ or ▼ key to perform the calibration adjustment until the value on the display corresponds to the weight suspended to the material.
The adjustment can be performed in 1 % steps within the range from +10 % to -10 %.
- Press the  button to save the determined value.



i Please note that this is a general value. So determine it separately for each material characteristic and note it down for later reference. It is not possible to save it per material characteristic.
To disable calibration adjustment, reset the value to 0 % in the „Cal. Adjustment“ menu.



The calibration adjustment has to be conducted with the weight unit, that is adjusted in the menu „tension unit“ and must be carried out with weights corresponding to the chosen unit.

3.6 Creating a material characteristic

The tension meter has been calibrated on material 1 according our SCHMIDT procedure for a vertical material path and cannot be deleted or overwritten. The material and diameter is given in chapter 2. Factory calibrations using customer supplied materials follow the same procedure. In this case, however, the calibration on Schmidt material 1 is omitted. Fig. 3.6.1 shows a measuring setup for the calibration.

i The material characteristics has been preset in the factory and cannot be overwritten. For these material characteristics, you can only change the damping factor, the alarm function setting, and the limit values.

3.6.1 Setup for calibration

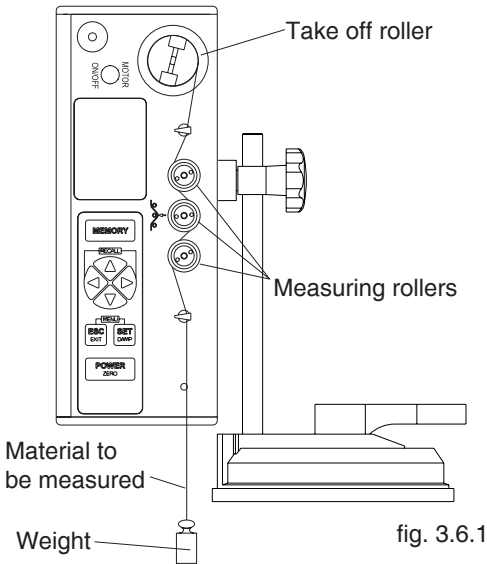


fig. 3.6.1

Hang a weight which corresponds to the tension to be measured from the measured material, vertically, as shown here. Pay attention to the correct unit of measure.

3.6.2 Calibration procedure

Calibrations of the tension meter are performed according to the SCHMIDT factory procedure using weights that correspond to 10 %, 50 %, and 90 % of the measuring range. In 95 % of all industrial applications, the SCHMIDT calibration has been proven to provide the best results. In particular, it is suitable for comparative purposes. If the material to be measured differs significantly from the SCHMIDT calibration material in material type, diameter, rigidity, shape, etc., we recommend to perform a calibration using customer-supplied material. In addition to the factory-preset material, you can save up to 3 additional materials.

Calibration Units and Calibration Points

- The device can be calibrated in centinewton (cN) or gram (g). Although the unit of the calibration weights has to correspond with the unit chosen in the menu „calibration“
- For the calibration of the tension meter, three calibration weights are used. For example, if you select 10 %, 40 %, 70 % for the weights for the static calibration must correspond to 10 %, 40 % and 70 % of the measuring range.

In this example, you need the following weights for the MTS-1000:

Calibration in Newton: 100 cN, 400 cN, and 700 cN

Calibration in Gram: 100 g, 400 g, and 700 g

i The measured values are displayed in the unit set in the „Settings“ menu, independent from the unit that was used to calibrate the material characteristic. So that they are available when you verify the calibration later or repeat the calibration after a factory reset.

e. g.

Material to be measured	Unit	Calibration points
Yarn	cN	5 %, 50 %, 90 %

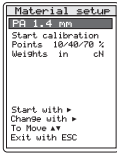
To perform the calibration procedure

- Select a new material or edit an existing one (by re-entering the values) from the „material“ menu.
- Enter a designation (you can use the software supplied with the tension meter alternatively).

i While performing the calibration, the tension meter must be fixed in such a way that the material to be measured runs smoothly between the measuring rollers. The display gives detailed information on the calibration.

3.6.2 Calibration procedure

In the „Material“ menu, select Calibration.



Step 1:

Set the calibration points and weights, e.g. in Newton using the calibration points 10 %, 40 %, and 70 % of full scale

Start: Select the Start menu item.

Alternative calibration points: 5 %, 45 %, 90 % 10 %, 50 %, 90 %
5 %, 50 %, 90 % 10 %, 40 %, 70 %
10 %, 45 %, 90 %

We recommend to use the 10 %, 50 %, 90 % setting for an initial calibration. If the measured values are not accurate enough when you check the calibration, repeat the calibration using other calibration points.

We recommend that you align the middle of the tension range to be measured with the middle calibration point.



Step 2:

Perform a zero adjustment with the tension meter in its measuring position



Step 3:

Calibrate calibration point 1

Insert material to be measured



Step 4:

Calibrate calibration point 2



Step 5:

Calibrate calibration point 3



Once you have completed the calibration, make sure to verify it as described in chapter 3.6.3. In case of a large deviation, repeat the calibration or select different calibration points.

3.6.3 Verifying the calibration

When verifying the calibration, make sure to select the same material, calibration position and calibration points as used for creating the associated material characteristic. Otherwise, the precision of the measurements will not be sufficient.

The tension meter has been calibrated on material 1 according our SCHMIDT procedure for a vertical material path and cannot be deleted or overwritten. The diameter and material is given in chapter 2. Calibrations of the tension meter are performed according to the SCHMIDT factory procedure using weights that correspond to 10 %, 50 % and 90 % of the measuring range.

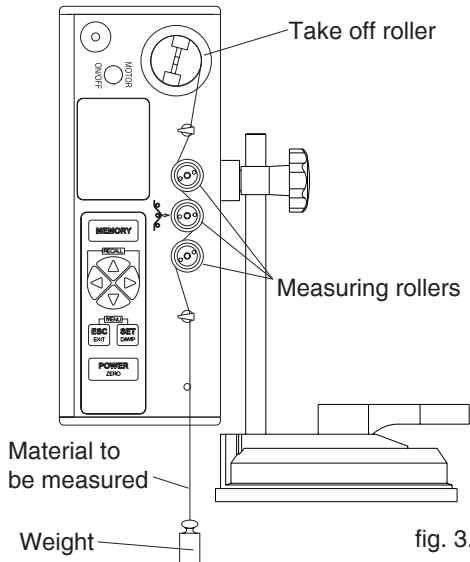


fig. 3.6.3

- Attach a weight vertically to the material to be measured that corresponds to the tension to be measured (make sure to select the correct unit). The weight must hang freely. (Always use a fresh portion of the material to be measured.)
- Insert the material as described in chapter 3.5.2.

i While controlling the calibration, the tension meter must be fixed in such a way that the material to be measured runs smoothly between the measuring roller.

- The tension value shown on the display should be equal to the mass of the suspended weight.

If the verification of the calibration shows a deviation beyond the allowable tolerance so that reliable operation is no longer possible, the instrument needs to be re-calibrated or returned to the factory for repair.

3.7 Memory functions

The tension meter is delivered with 5 different memory modes. You can store up to 999 measurement series at one or more machine positions. The number of storable measurement series is depending from the adjusted memory mode and the selected storage time and will be displayed in the setting menu of the memory mode. The tension meter can store up to 60000 measured values.

All saved measured values and statistic datas can be transferred to a PC (for further processing, e.g. in Excel). For this purpose, use the optional software with the tension meter.

Recall of memory: The display only shows the last measured value, the average, the minimum and maximum measured values, the peaks, the standard deviation and the number of measured values per measurement series.

You can select the desired memory programs from the main menu.

Memory Mode “S” – Standard

Data is recorded during a user-defined period (min 1 sec, max. 60 min).

2 readings/second will be recorded. The system will only determine and save statistical values.

Memory Mode “C” – Continuous

Data is recorded during a user-defined period (min. 1 sec, max. 8 hrs 20 min). The system will acquire 2 measured values/sec, determine statistical values, and save them for each measurement series together with the measured values.

Memory Mode “F” - Fast

Data is recorded during a user-defined period (min. 1 sec, max. 60 sec.). The system will acquire 200 measured values/sec, determine statistical values, and save them for each measurement series together with the measured values.

Memory Mode “H” – Hold, Freeze Display

The last max. 128 values are saved. In graphical mode, you can freeze the display and thus view the course of the tension values after completion of the measurement. The system will determine statistical values and save them together with the measured values. Peak values are not determined.

Memory Mode „D“ - on demand

Recording single readings by the operator instigation.

Statistical values and readings will be saved for only one measurement series.



Changing to another memory mode will delete any saved data. When you select the memory mode, a corresponding message is displayed.

The selected memory mode and the saved data will be kept even after switching off the tension meter.

3.7.1 Selecting the memory mode

Requirements:

- The tension meter has been switched on as described in chapter 3.3.3.
- Open the menu by pressing the **ESC** EXIT and **SET** DAMP buttons simultaneously and select Memory Settings.
- Select the desired memory mode in the user navigation.

i If the memory already contains data, a message will inform you that the data will be deleted.

3.7.2 Memory mode “S” – standard

Data recording for a user-set time

3.7.2.1 Saving Data

Requirements:

- In the main menu, select „Memory Settings“ and then memory mode “S”.

To save the first measurement series:

- Press the **MEMORY** button to start recording the measured values.
- While recording is in process, “Rec S” flashes on the display.
- Once the set time has elapsed, no more data will be saved (the display shows “Mem S”, the memory position and the free memory space).
- If the **MEMORY** button will be pressed before the set time has elapsed data recording stops and data will automatically be saved.

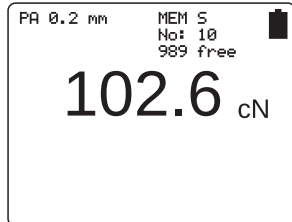


fig. 3.7.2.1

i To abort data recording, press the **ESC** EXIT button. This stops the procedure. No data will be saved.

To save more measurement series:

- Press the **MEMORY** button to start recording the measured values.
- While recording is in process, “Rec S” flashes on the display.
- Once the set time has elapsed, no more data will be saved. (the display shows “Mem S”, the memory position, and the free memory space)
- If the **MEMORY** button will be pressed before the set time has elapsed data recording stops and data will automatically be saved.

3.7.2.2 Displaying the saved measured values

- Press the RECALL ◀ and ▶ buttons simultaneously to display the saved data.
- The ▼ and ▲ buttons allow you to switch between the various measurement series.

The display will only show statistical values:

- Number of batch (File)
- Name of the material to be measured
- Date and time of the measurement series
- Last reading
- Average
- Max.
- Min.
- Standard deviation (Std dev)
- Number of measured values (Records)

3.7.2.3 Displaying the saved measured values on a PC

The optional SCHMIDT software **Tension-Inspect 3** allows you easily and accurately to analyze the saved measured values and export them to an Excel table.



Sample memory printout

03.02.2022 11:37	MTS-Series-306 200 cN	Unit : cN
Material: PA 0.2 mm		
Start: 11:32:30 03.02.22		
Stop: 11:32:38 03.02.22		
Last: 23.3		
Avg: 23.6		
Max: 24.4		
Min: 21.9		
Std dev: 6		
Peak max: 53.5		
Peak min: 4.5		
HI-Alarm: 85.0		
Lo-Alarm: 15.0		
Records: 16		

3.7.2.4 Deleting the saved measured values

If data is saved in the tension meter, the display shows “Mem” and indicates the free memory space.

Deleting data:

- Press the „Recall“ ◀ and ▶ buttons
- Then press the  button and confirm with the  button.
This clears the memory.

3.7.3 Memory mode “C”

Data is recorded during a user-defined period. The tension meter records 2 measured values/sec.

3.7.3.1 Saving data

Requirements:

- In the main menu, select „Memory Settings“ and then memory mode C.

To save the first measurement series:

- Press the **MEMORY** button to start recording the measured values.
- While recording is in process, “Rec C” flashes in the display.
- Once the set time has elapsed, no more data will be saved (the display shows “Mem C”, the memory position and the free memory space).
- If you press the **MEMORY** button before the set time has elapsed, no more data will be saved. The data is saved automatically (the display shows “Mem C”, the memory position and the free memory space)

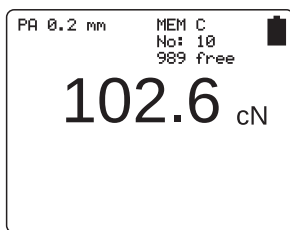


fig. 3.7.3.1

1 • To abort data recording, press the **ESC EXIT** button. This deletes the procedure. No data will be saved.

To save more measurement series:

- Press the **MEMORY** button to start recording the measured values.
- While recording is in process, “Rec C” flashes in the display.

3.7.3.2 Displaying the saved measured values

- Press the „Recall“ ◀ and ▶ buttons simultaneously to display the saved data.
- The ▼ and ▲ buttons allow you to switch between the various measurement series.

The display will only show statistical values:

- Number of batch (File)
- Name of the material to be measured
- Date and time of the measurement series
- Last reading
- Average
- Max.
- Min.
- Standard deviation (Std dev)
- Number of measured values (Records)

The measuring values can be shown as graph by pressing ▶

3.7.3.3 Displaying the saved measured values on a PC

The optional SCHMIDT software **Tension-Inspect 3** allows you easily and accurately to analyze the saved measured values and export them to an Excel table.



Sample memory printout

03.02.2022 12:29	MST-Series-306 200 cN	Unit cN
Material: PA 0.2 mm	Material: PA 0.2 mm	
Start: 12:22:19 03.02.22	Start: 12:24:05 03.02.22	
Stop: 12:22:24 03.02.22	Stop: 12:24:10 03.02.22	
Last: 23.6	Last: 23.8	
Avg: 23.3	Avg: 23.4	
Max: 24.1	Max: 24.3	
Min: 22.1	Min: 21.8	
Std dev: 0.6	Std dev: 0.8	
Peak max: 53.4	Peak max: 57.7	
Peak min: 4.2	Peak min: 3.6	
HI-Alarm: 85.0	HI-Alarm: 85.0	
Lo-Alarm: 15.0	Lo-Alarm: 15.0	
Records: 10	Records: 10	
	23.5	24.0
	23.7	24.3
	24.1	24.1
	23.7	24.1
	23.3	23.9
	22.5	23.2
	22.1	22.2
	23.0	21.8
	20.8	18.9

3.7.3.4 Deleting the saved measured values

If data is saved in the tension meter, the display shows "Mem" and indicates the free memory space.

Deleting data:

- Press the „Recall“ ◀ and ▶ buttons
- Then press the  button and confirm with the  button.
This clears the memory.

3.7.4 Memory mode “F”

Data is recorded during a user-defined period. The tension meter records 1000 measured values/sec.

3.7.4.1 Saving data

Prerequisites:

- In the main menu, select „Memory Settings“ and then memory mode F.

To save the first measurement series:

- Press the **MEMORY** button to start recording the measured values.
- While recording is in process, “Rec F” flashes in the display.
- Once the set time has elapsed, no more data will be saved (the display shows “Mem F”, the memory position, and the free memory space).
- If you press the **MEMORY** button before the set time has elapsed, no more data will be saved. The data is saved automatically (the display shows “Mem F”, the memory position and the free memory space)

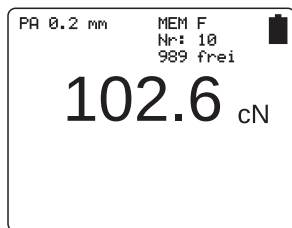


fig. 3.7.4.1

1 • To abort data recording, press the **ESC** button. This deletes the procedure. No data will be saved.

To save more measurement series:

- Press the **MEMORY** button to start recording the measured values.
- While recording is in process, “Rec F” flashes in the display.

3.7.4.2 Displaying the saved measured values

- Press the „Recall“ ◀ and ▶ buttons simultaneously to display the saved data.
- The ▼ and ▲ buttons allow you to switch between the various measurement series.

The display will only show statistical values:

- Number of batch (File)
- Name of the material to be measured
- Date and time of the measurement series
- Last reading
- Average
- Max.
- Min.
- Standard deviation (Std dev)
- Number of measured values (Records)

The measuring values can be shown as graph by pressing ▶

3.7.4.3 Displaying the saved measured values on a PC

The optional SCHMIDT software **Tension-Inspect 3** allows you easily and accurately to analyze the saved measured values and export them to an Excel table.



Sample memory printout

03.02.2012 12:29	MTS-Series-306 200 cN	Unit cN	
Material: PA 0.2 mm	Material: PA 0.2 mm	Material: PA 0.2 mm	
Start: 11:38:09 03.02.22	Start: 11:39:10 03.02.22	Start: 11:40:12 03.02.22	
Stop: 11:38:17 03.02.22	Stop: 11:39:18 03.02.22	Stop: 11:40:20 03.02.22	
Last: 23.7	Last: 22.1	Last: 23.9	
Avg: 23.6	Avg: 23.4	Avg: 23.5	
Max: 24.6	Max: 24.3	Max: 24.5	
Min: 21.6	Min: 21.7	Min: 21.4	
Std dev: 12.5	Std dev: 11.5	Std dev: 12.0	
Peak max: 57.0	Peak max: 54.4	Peak max: 56.4	
Peak min: 4.0	Peak min: 4.4	Peak min: 4.0	
HI-Alarm: 85.0	HI-Alarm: 85.0	HI-Alarm: 85.0	
Lo-Alarm: 15.0	Lo-Alarm: 15.0	Lo-Alarm: 15.0	
Records: 8000	Records: 8000	Records: 8000	
	37.4	22.9	38.5
	41.0	20.6	38.2
	43.8	19.0	39.9
	46.1	18.9	41.0
	47.8	21.5	43.0
	48.9	27.8	45.4
	49.7	35.5	46.6
	49.8	41.5	46.6
	49.2	44.1	46.7

3.7.4.4 Deleting the saved measured values

If data is saved in the tension meter, the display shows "Mem" and indicates the free memory space.

Deleting data:

- Press the „Recall“ ◀ and ▶ buttons
- Then press the  button and confirm with the  button.
This clears the memory.

3.7.5 Memory mode “H”

The last max. 128 values are saved. In graphical mode, the display freezes so that you can view it after completion of the measurement. In numerical mode, the last measured value is displayed.



This memory mode does not record PEAK values.

3.7.5.1 Saving data

Requirements:

- In the main menu, select „Memory Settings“ and then memory mode H.
- Set the X-axis as described in chapter 3.2

To save the first measurement series:

- Press the **MEMORY** button to freeze the recording of the measured values.

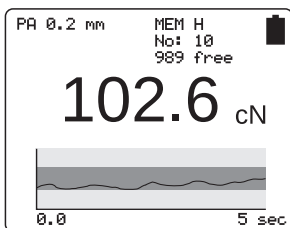


fig. 3.7.5.1

If you have recorded less than 128 measured values, you will continue recording by pressing the **MEMORY** button. If the graphics window is full, its contents will be shifted to the left and you can only freeze the last 128 measured values.

- To save the graphics and measured values for later evaluation, press the **SET DAMP** button. This returns the tension meter to measuring mode.
- If you press the **ESC EXIT** or **MEMORY** button, no data will be saved and the tension meter returns to measuring mode.

3.7.5.2 Displaying the saved measured values

- Press the „Recall“ ◀ and ▶ buttons simultaneously to display the saved data.
- The ▼ and ▲ buttons allow you to switch between the various measurement series.

The display will only show statistical values:

- Number of batch (File)
- Name of the material to be measured
- Date and time of the measurement series
- Last reading
- Average
- Max.
- Min.
- Standard deviation (Std dev)
- Number of measured values (Records)

The measuring values can be shown as a graph by pressing ▶

3.7.5.3 Displaying the saved measured values on a PC

The optional SCHMIDT software **Tension-Inspect 3** allows you easily and accurately to analyze the saved measured values and export them to an Excel table.

Sample memory printout



03.02.2022 12:22	MTS-Series-306 200 cN	Unit cN
Material: PA 0.2 mm	Material: PA 0.2 mm	Material: PA 0.2 mm
Start: 12:15:44 03.02.22	Start: 12:16:21 03.02.22	Start: 12:17:20 03.02.22
Stop: 25 sec.	Stop: 25 sec.	Stop: 25 sec.
Last: 20.7	Last: 24.6	Last: 27.2
Avg: 23.1	Avg: 23.5	Avg: 23.4
Max: 32.1	Max: 31.3	Max: 33.3
Min: 13.4	Min: 14.0	Min: 13.7
Std dev: 3.4	Std dev: 3.1	Std dev: 3.9
Peak max: 0*	Peak max: 0	Peak max: 0
Peak min: 0*	Peak min: 0	Peak min: 0
HI-Alarm: 85.0	HI-Alarm: 85.0	HI-Alarm: 85.0
Lo-Alarm: 15.0	Lo-Alarm: 15.0	Lo-Alarm: 15.0
Records: 128	Records: 128	Records: 128
	21.1	19.5
	24.6	27.8
	23.1	18.6
	21.9	27.9
	26.6	22.3
	18.6	26.0
	29.3	22.3
	18.2	27.8
	20.8	18.9
		18.4
		28.5
		20.0
		28.4
		20.2
		28.5
		20.1
		30.7
		17.8

*PEAK are not recorded; therefore 0 in the printout

3.7.5.4 Deleting the saved measured values

If data is saved in the tension meter, the display shows “Mem” and indicates the free memory space.

Deleting data:

- Press the „Recall“ ◀ and ▶ buttons
- Then press the  button and confirm with the  button.
This clears the memory.

3.7.6 Memory mode “D”

Recording single readings by the operator instigation.

3.7.6.1 Saving data

Requirements:

- In the main menu, select „Memory Settings“ and then memory mode D.

Saving:

- By pressing the  button the current reading will be saved.

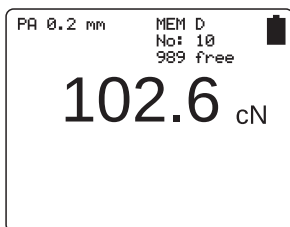


fig. 3.7.6.1

3.7.6.2 Displaying the saved measured values

- Press the RECALL ◀ and ▶ buttons simultaneously to display the saved data.

The display will only show statistical values:

- Number of batch (File)
- Name of the material to be measured
- Date and time of the measurement series
- Last reading
- Average
- Max.
- Min.
- Standard deviation (Std dev)
- Number of measured values (Records)

3.7.6.3 Displaying the saved measured values on a PC

The optional SCHMIDT software **Tension-Inspect 3** allows you easily and accurately to analyze the saved measured values and export them to an Excel table.



Sample memory printout

03.02.2022 11:37	MTS-Series-306 200 cN	Unit : cN
Material: PA 0.2 mm		
Start: 11:32:30 03.02.22		
Stop: 11:32:38 03.02.22		
Last: 23.3		
Avg: 23.4		
Max: 24.4		
Min: 21.9		
Std dev: 0.6		
HI-Alarm: 85.0		
Lo-Alarm: 15.0		
Records: 6		
	22.6	
	24.4	
	23.5	
	21.9	
	24.1	
	23.9	

3.7.6.4 Deleting the saved measured values

If data is saved in the tension meter, the display shows “Mem” and indicates the free memory space.

Deleting data:

- Press the „Recall“ ◀ and ▶ buttons
- Then press the  button and confirm with the  button.
This clears the memory.

4 PC Communication (USB Interface)



The requirements of the CE specification are only complied with if the tension meter is equipped and operated with connecting cables supplied by HANS SCHMIDT & Co GmbH. Certification to the CE specification does not extend to, and shall be invalid for any other combination. Under no circumstances shall HANS SCHMIDT & Co GmbH be held liable for any damage resulting from the use of non-SCHMIDT sensors or cables.

4.1 Installing the USB Driver

For data transfer to the PC, you will need a USB driver. If no matching driver is installed on your PC, the Windows Found New Hardware Wizard appears when you connect the unit to the computer for the first time. A driver is also supplied with the optionally available Tension Inspect 3 software.

4.2 Terminal program

The contents of the memory can be transferred to a PC using the USB interface of the tension meter.

Connect the ETX/ETPX to the computer using the USB cable type K50202 which is supplied with the tension meter.

Prerequisites:

A communication program, such as Terminal, must be installed and configured on the computer.

PC communication commands (polling)

Requesting data:

(data is requested by PC polling)

- The ASCII character "r" is used to transfer the contents of the memory to the PC.

5 Service and Maintenance

The tension meter is easy to maintain. Depending on operating time and load, the tension meter should be checked according to the locally valid regulations and conditions (as described in Chapter 3.6). The use of other test methods than the procedure described in Chapter 3.6 may cause deviating measuring results.

6 Cleaning

For cleaning the unit, do not use any



AGGRESSIVE SOLVENTS

such as trichloroethylene or similar chemicals.



NO WARRANTY OR LIABILITY

shall be accepted for damage resulting from improper cleaning.

7 Correspondence

Should you have any questions regarding the tension meter or Operating Instructions, or their use, please indicate above all the following details which are given on the ID plate:

- 1) The tension meter model
- 2) The serial number

8 Repairs

Shipping instructions:

We kindly ask for return free of charge for us, if possible by airmail parcel. All occurring charges, if any (such as freight, customs clearance, duty, etc.) will be billed to customer.

For return from foreign countries, we ask you to include a proforma invoice with a low value for customs clearance only, e.g. 50 Euro, each and to advise the shipment in advance by fax or eMail.



To avoid unnecessary follow-up questions, and the resulting loss of time or possible misunderstandings, please return the tension meter with a detailed fault description to our service department. Please indicate in your order whether you require an Inspection Certificate 3.1 according to DIN EN 10204.

Service address:

**HANS SCHMIDT & Co GmbH
Schichtstr. 16
D-84478 Waldkraiburg
Germany**

Notes:

Subject to change without notice!

SCHMIDT

control instruments

SCHMIDT-Test-Instruments
*indispensable in production monitoring,
quality control and automation*
We solve your measuring problems:



Tension Meter



Force Gauge



Torque Meter



Tachometer



Speed- and Lengthmeter



Electronic Lengthmeter



Stroboscope



Screen Printing Tension Meter



Thickness Gauge



Yarn Package Durometer and Shore-A Durometer



Sample Cutter



Balance



Moisture Meter



Leak Tester



Softometer

More than 70 years - Worldwide -

Hans Schmidt & Co GmbH

Mailing address:

P. O. B. 1154
84464 Waldkraiburg Germany

Shipping address:

Schichtstr. 16
84478 Waldkraiburg Germany

Phone:

int. + 49 / (0)8638 / 9410-0

Fax:

int. + 49 / (0)8638 / 4825

int. + 49 / (0)8638 / 67898

e-mail:

info@hans-schmidt.com

Internet:

<http://www.hans-schmidt.com>