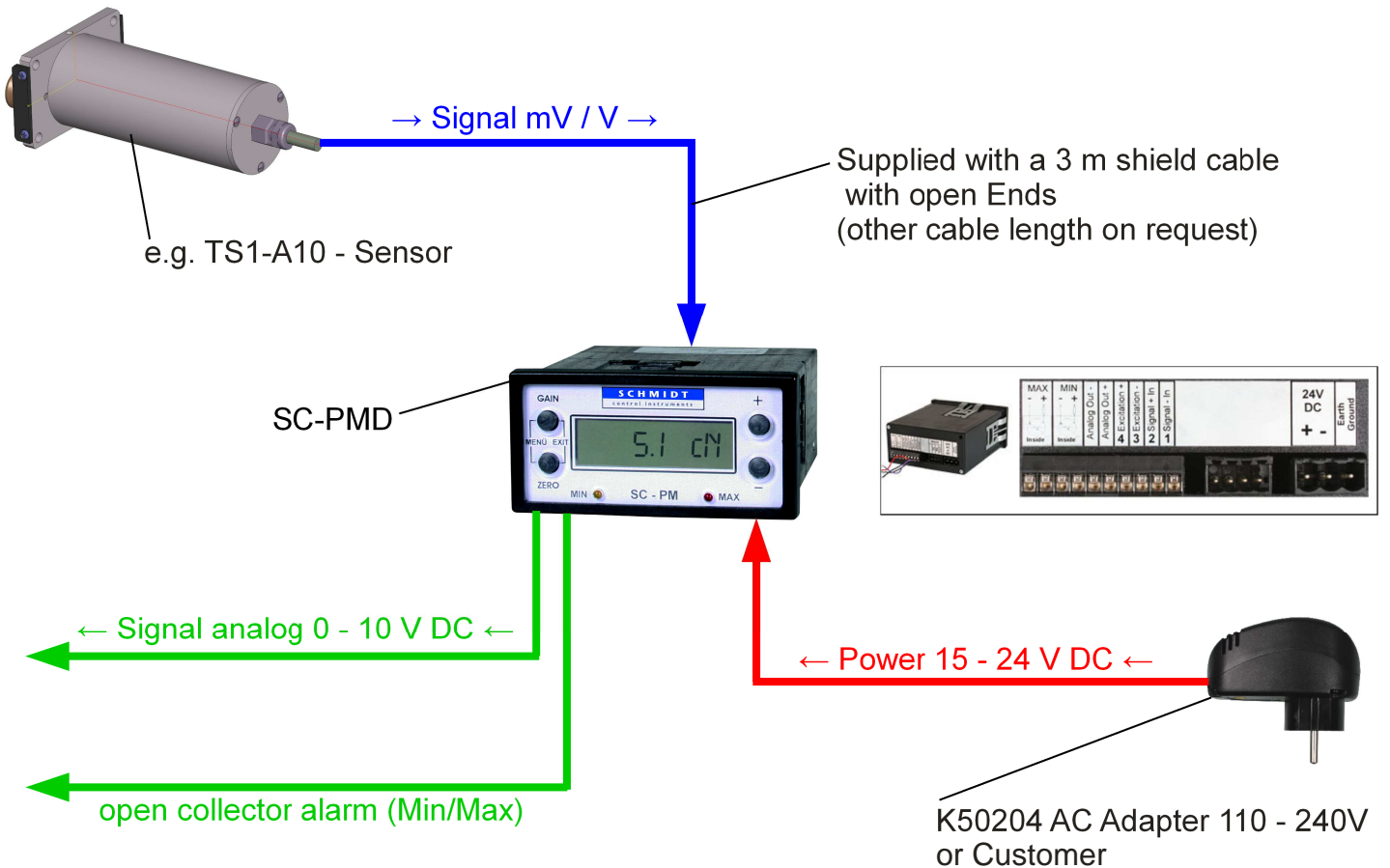


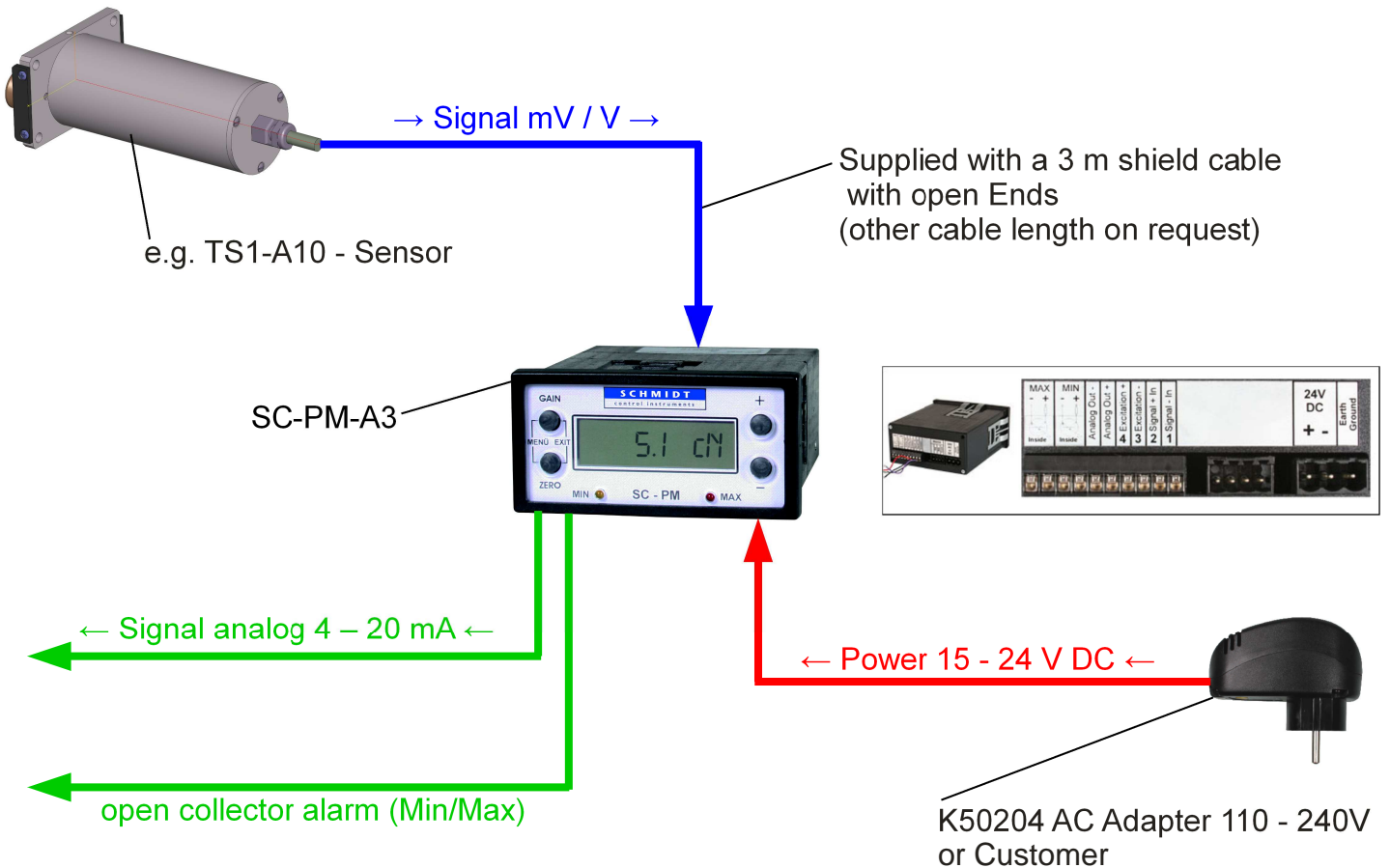
TS1-A10 - Sensor without integrated amplifier with Display SC-PMD

outputs: analog 0 – 10 V and alarm



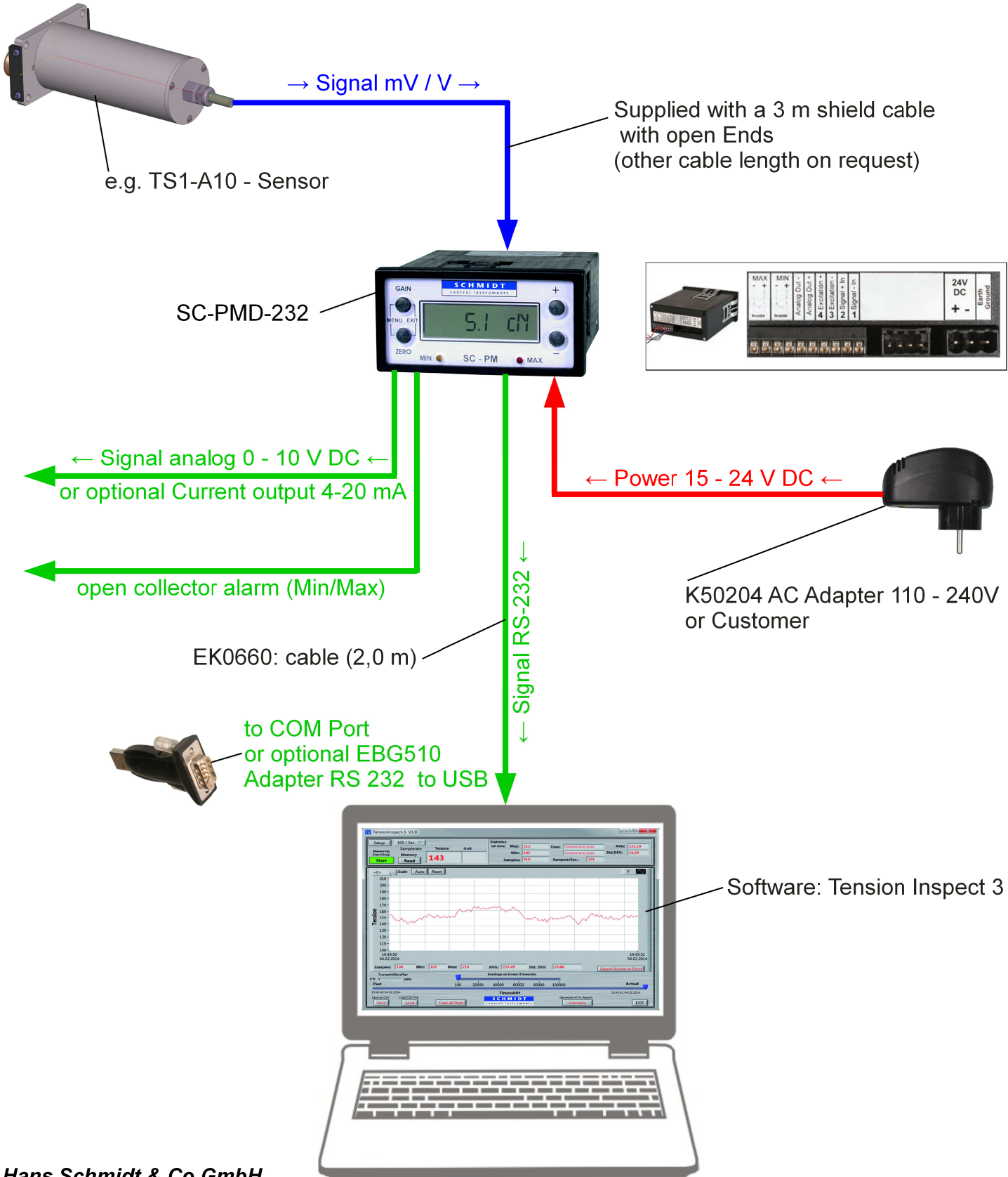
TS1-A10 - Sensor without integrated amplifier with Display SC-PMD-A3

outputs: Current 4 - 20 mA and alarm

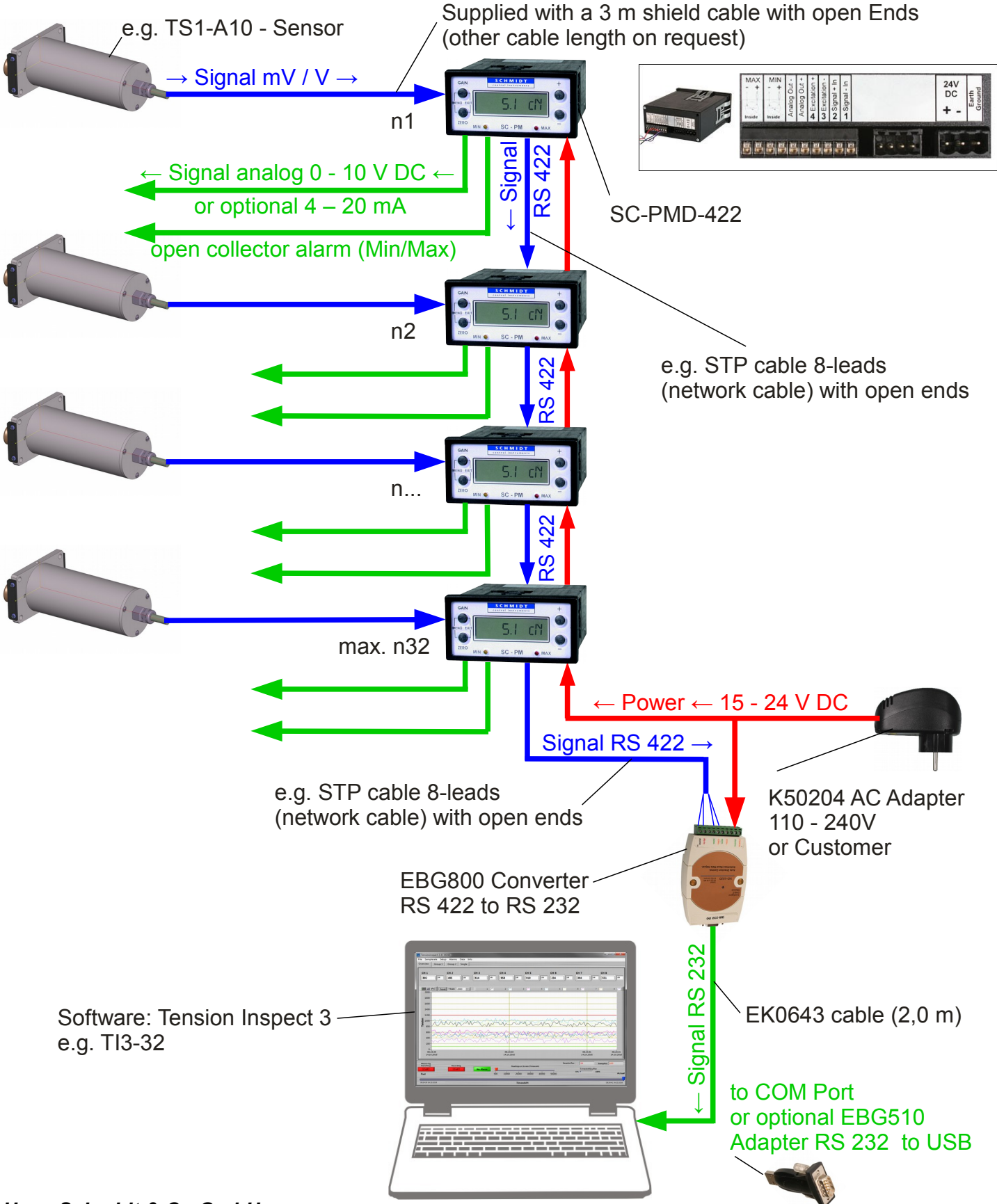


TS1-A10 Sensor without integrated amplifier with Display SC-PMD-232

outputs: RS 232, analog and alarm

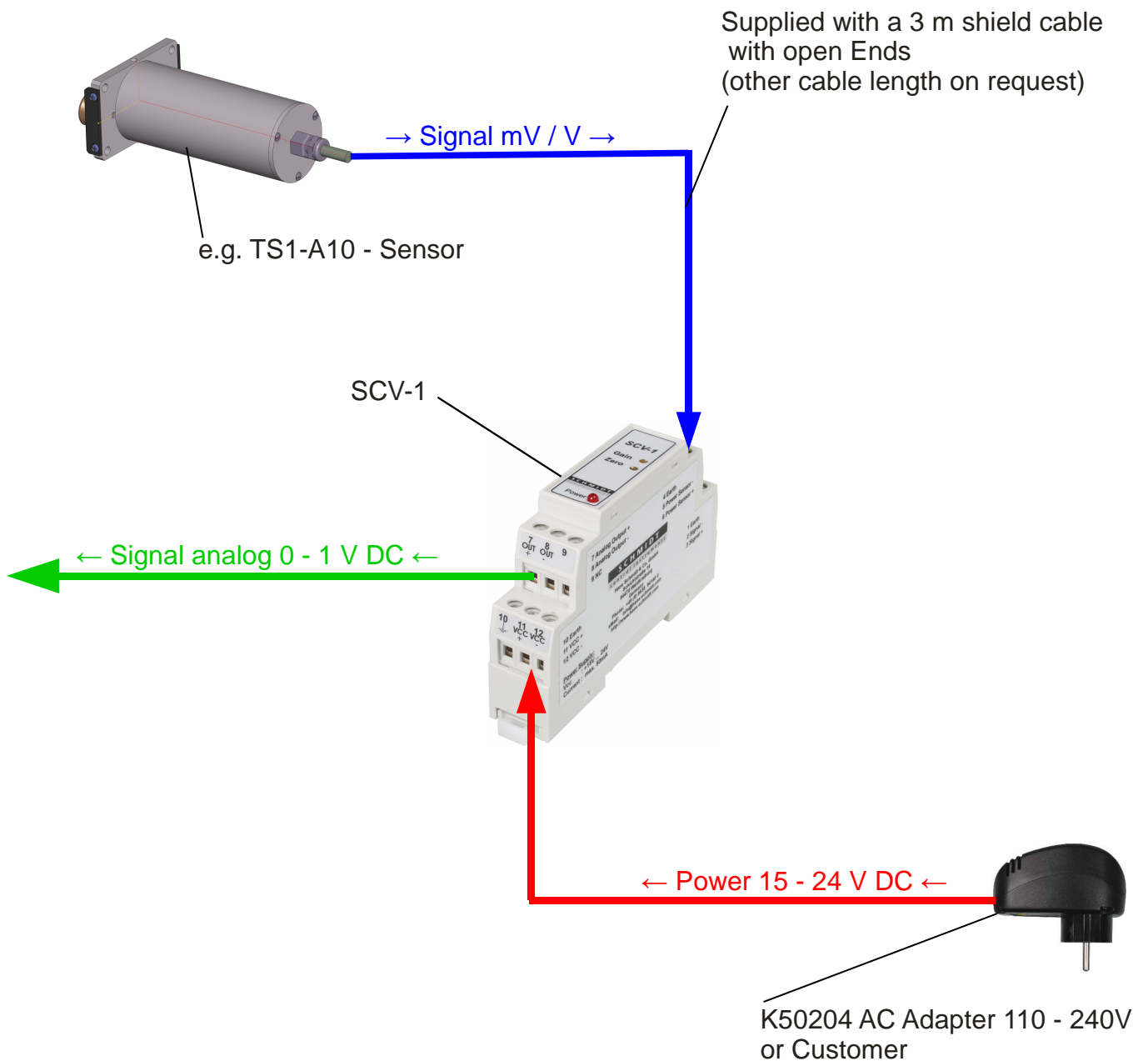


32 TS1-A10 Sensor without integrated amplifier with 32 Display SC-PMD-422 outputs: RS 422, analog and alarm



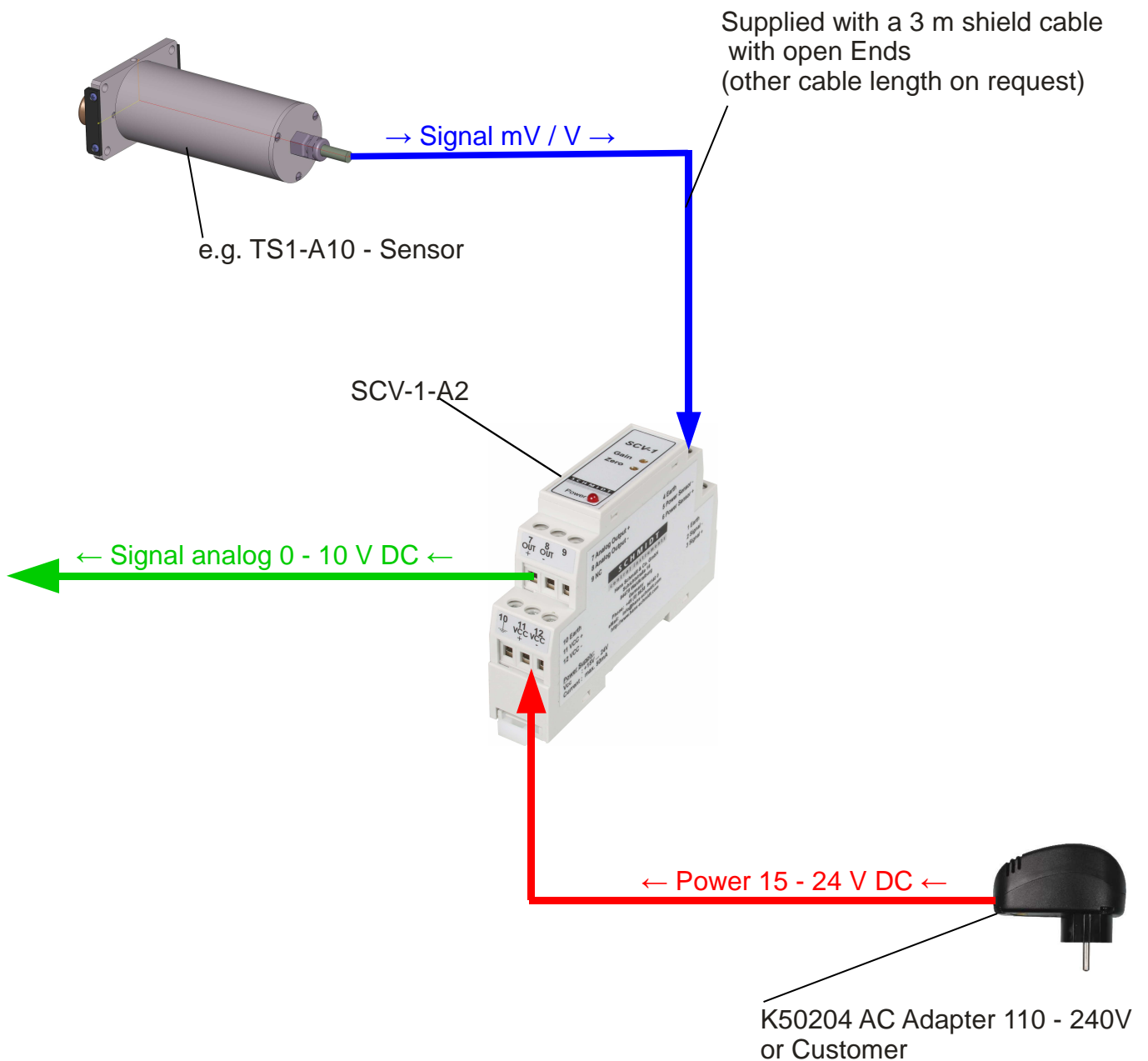
TS1-A10 - Sensor without integrated amplifier with Strain gauge amplifier SCV-1

outputs: analog 0 - 1 V



TS1-A10 - Sensor without integrated amplifier with Strain gauge amplifier SCV-1-A2

outputs: analog 0 - 10 V



TS1-A10 Sensor without integrated amplifier with Strain gauge amplifier SCV-1-A3

outputs: Current output 4 - 20 mA

