

Rotation support jig RSH series



RSH-5N

Features

- Rotation support jig for manual torque measurement with the torque meters HTGS and HTGA.
- Ideal for analyzing torque-angle relationships by using an angle-meter.

Applications



Specifications

Model	RSH-5N	RSH-5N-EXT	RSH-5N-EXT2	RSH-5N-RA	RSH-5N-RA-EXT	RSH-5N-RA-EXT2
Design	without angle-meter			with angle-meter**		
Capacity	5 Nm (500 Ncm)*					
Max. sample length with series HT-ST, DT-TB	205 mm	305 mm	405 mm	205 mm	305 mm	405 mm
Weight	5.1 kg	5.5 kg	5.9 kg	5.1 kg	5.5 kg	5.9 kg
Accuracy	± 0.2 Grad					
Angle measuring range	0 to 9999.9 Grad					

Table HT-STL or HT-STLW must be mounted, if torque meter HTGA-0.5N or HTGS-0.5N is used.

*Also when using HTGS-10N or HTGA-10N is used, max. 5 Nm force can be applied.

**Torque meter HTGA must be used for angle measurements.

Accessories

The models RSH-5N, RSH-5N-EXT and RSH-5N-EXT2 can be retrofitted for angle measurement with the RSS-AMK kit.

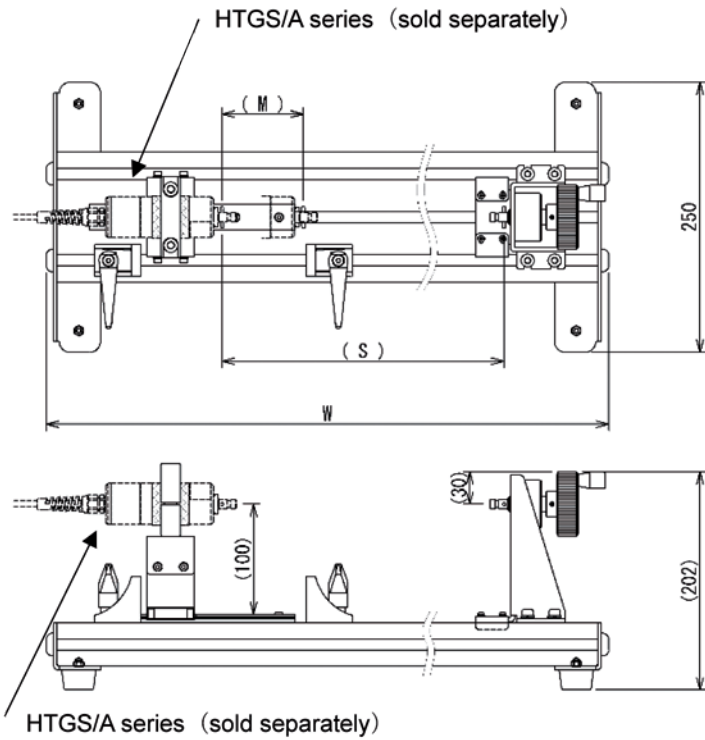


Note

- All information is subject to change without prior notice.
- Some samples may not be able to be gripped depending on materials or shapes.

Dimension

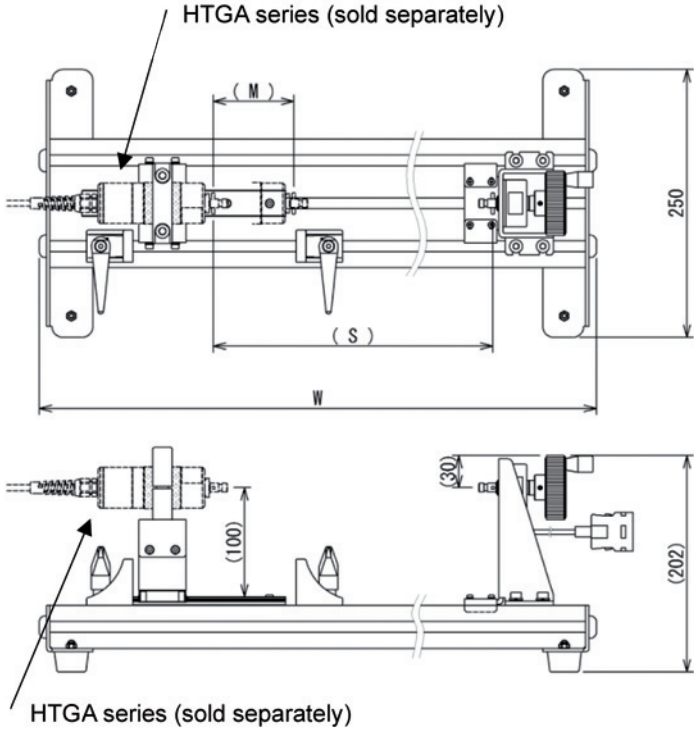
RSH-5N, RSH-5N-EXT, RSH-5N-EXT2



	W	S	M
RSH-5N	520	290	105
RSH-5N-EXT	620	390	
RSH-5N-EXT2	720	490	

Units in mm

RSH-5N-RA, RSH-5N-RA-EXT, RSH-5N-RA-EXT2



	W	S	M
RSH-5N-RA	520	290	105
RSH-5N-RA-EXT	620	390	
RSH-5N-RA-EXT2	720	490	

Units in mm