

Pneumatic Multipliers Operating Instructions

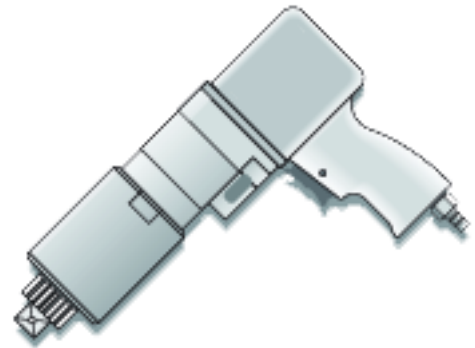
(Rev 2.1 4/10/17)

The manual is a guide for operating the following Eliminator Series Pneumatic Multiplier models:

Eliminator-CLD, Eliminator-CLD Plus, Eliminator-CLS, and Eliminator-RCL



Eliminator-CLD



Eliminator-CLS



Eliminator-RCL



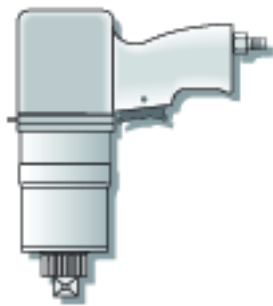
Eliminator-CLD Plus

Pneumatic Multipliers Operating Instructions

(Rev 2.1 4/10/17)

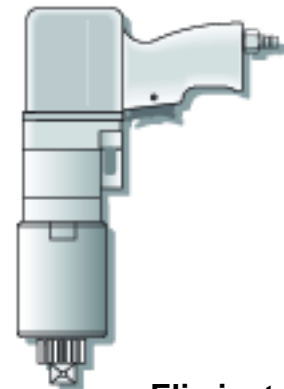
General Description of the Pneumatic Multipliers

Designed to deliver smooth torque control, with "continuous" rotation, these pneumatic multipliers are less expensive than hydraulic wrenches and ergonomically safer than impact wrenches. Torque multipliers replace impact wrenches, pipe extensions and other inadequate and sometimes unsafe fastening methods. These continuous rotation torque multipliers eliminate the slow ratcheting process of hydraulic wrenches and the harmful hammering of the impact wrenches, by producing correct torque output through smooth constant gear manipulation. The Mountz multipliers achieve precision torque in a quick, cost-efficient manner



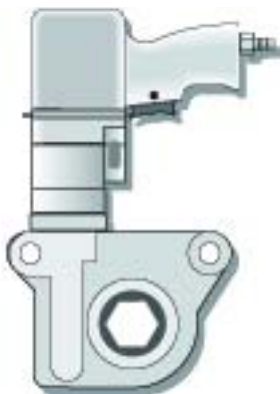
Eliminator-CLD

Single speed in-line tool. CW/CCW direction. Compact design is safe, easy, and simple to handle.



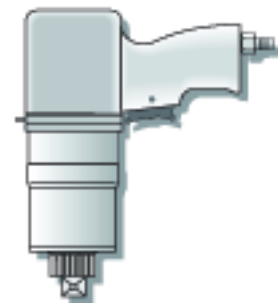
Eliminator-CLS

Two speed in-line tool. CW/CCW direction. Capable of handling high torque applications efficiently and accurately.



Eliminator-RCL

Two speed radial tool. CW/CCW direction. Designed with a low radial head, it can slide into areas where clearance is limited. Commonly used in applications like Heat Exchangers, Food Processing Plants or Mining.



Eliminator-CLD Plus

Two speed gear box in-line tool. CW/CCW direction. The multiplier's unique motor design allows fast operation while maintaining high power output.

Pneumatic Multipliers Operating Instructions

(Rev 2.1 4/10/17)

The Eliminator Torque Multiplier is a precision tool for tightening bolts to a predetermined torque or loosening those within its torque output capabilities. Connect a ½" NPTM coupling to the base of the handle of the Eliminator motor. Connect the coupling to the hose of the Lubro Control Unit (LCU). The control unit is made up of an air filter pressure regulator and lubricator. The lubricator is filled with any engine oil, such as Shell Tellus 32. With the output side of the LCU connected to the air supply and the correct size socket fitted on the square drive, the tool is ready to use.

Setting the Correct Air Pressure



Note: Full airline pressure should never be applied directly to the tool unless it is below the maximum air pressure stamped on the tool. If maximum air pressures are exceeded breakage can occur.

1. Air pressure should be set with the Eliminator torque multiplier connected and free running. Air consumption is a maximum of 40 c.f.m. with tool free running at maximum air pressure.
2. Consult the air pressure to torque reference graph that is supplied with each tool and determine pressure by reading up from the required torque figure to the "torque air pressure" line. Then read off of the required pressure on the left of the graph.



Note: The graphs are produced under factory conditions and should be used as a guide only. Torque output can vary depending on the length of the air hose used, whether the bolted joint is soft (including gasket) or a hard pull up (solid material to metal contact), pressure regulator accuracy, etc. (See page 4 for sample flow chart graphs).

The Mountz Lubro Control Unit (LCU-2) is recommended for pressure regulating and tool lubrication. Set the correct pressure by testing on the actual assembly under conditions that the wrench will be operated. It is recommended that an air hose with a minimum ½" internal diameter and 10ft maximum length be used between the tool and the Lubro Control Unit (LCU).

Model: LCU-2
Item: # 061429
Pipe Size: 1/2" NPT
FRL Out Max PSIG: 200
FRL In Max PSI: 200
Weight: 7 lbs
Output: 1/2" Fem Swivel
Input: 1/2" NPT male



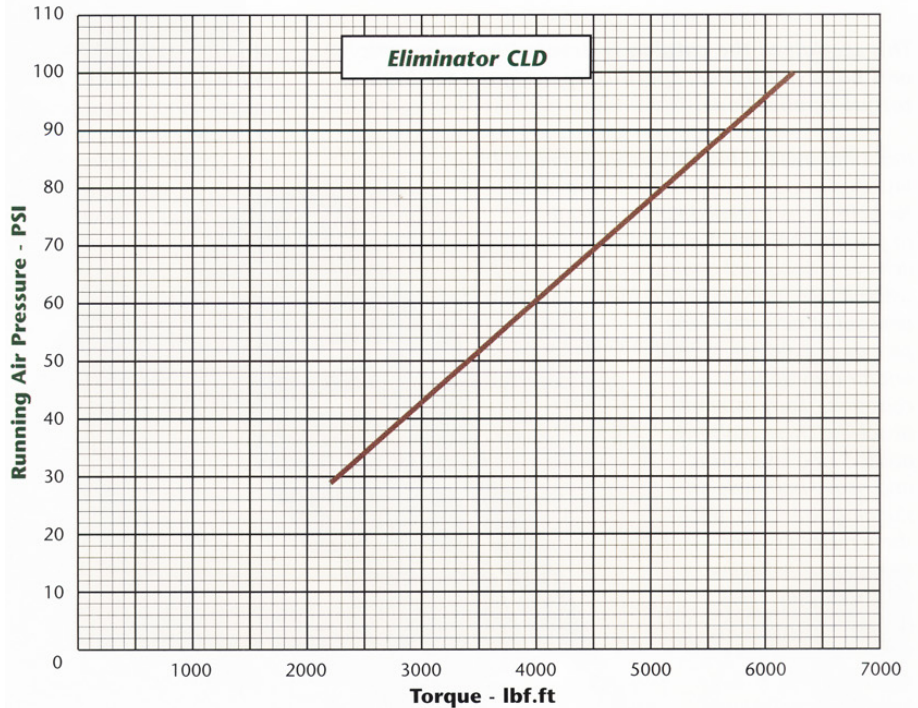
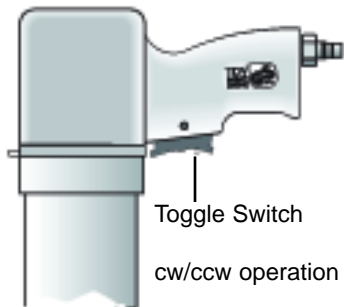
3. Once set, the torque multiplier will consistently stall within +/- 5% of the same torque figure.

Pneumatic Multipliers Operating Instructions

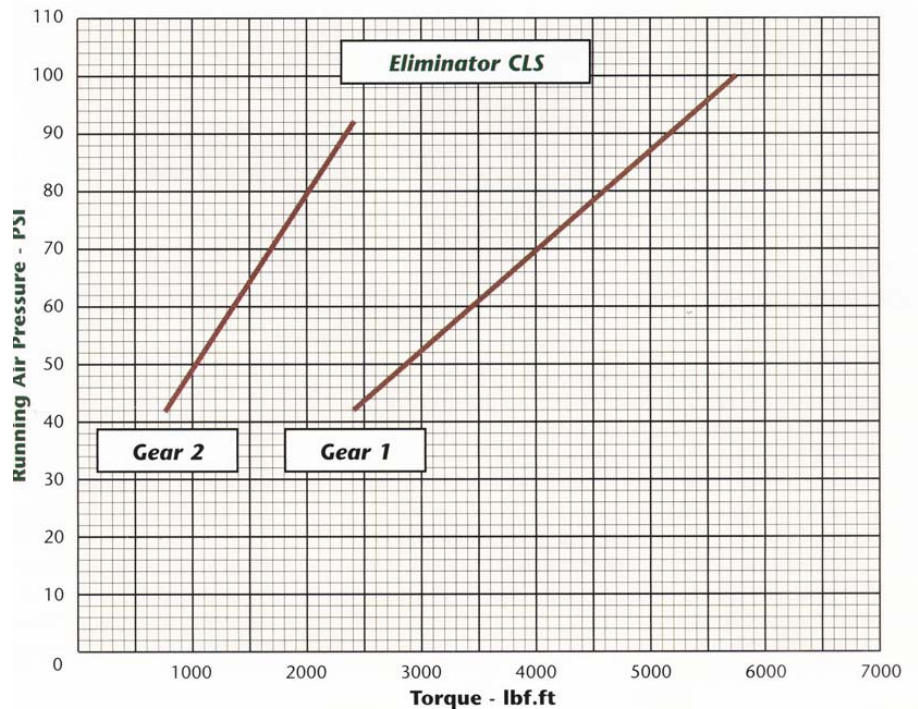
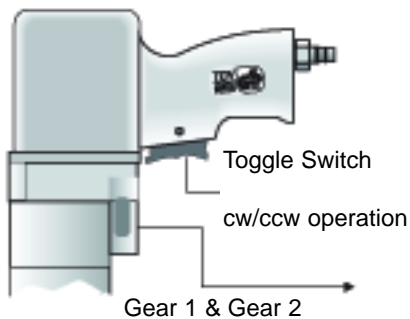
(Rev 2.1 4/10/17)

All pneumatic torque multipliers are supplied with an air torque output chart. All curves are approximate values. Many factors such as differences in compressed air supplies, joint characteristics and other application related variables can cause deviations from reported torque output.

The chart on the left is a sample for a CLD or CLD Plus torque multiplier.



The chart on the left is a sample for a CLS or RCL torque multiplier.



Pneumatic Multipliers Operating Instructions

(Rev 2.1 4/10/17)

Using the Torque Multiplier for Tightening

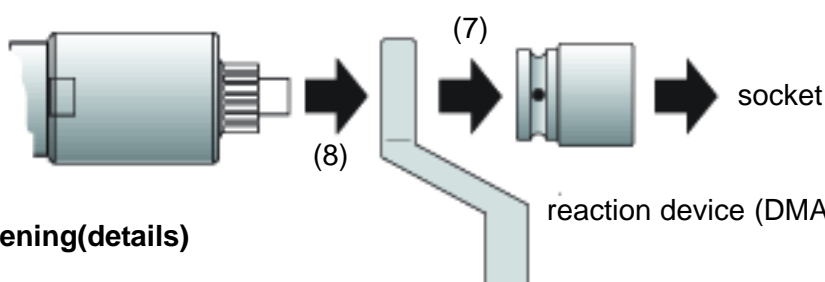
1. Place reaction bar onto the unit and then place the appropriate socket onto the square drive. Engage the socket onto the fastener to be tightened; making sure that the reaction bar has something solid and square to the reaction plane to react against.



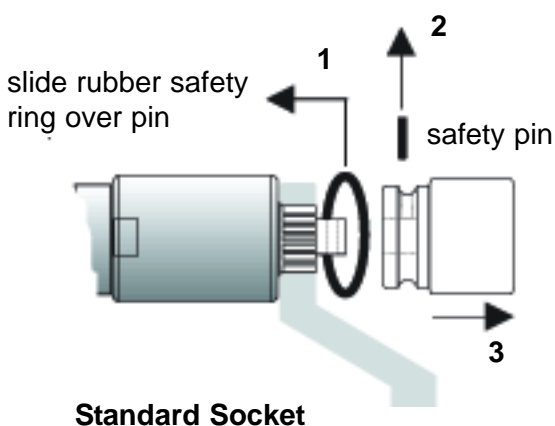
Note: Reaction bar rotation moves in opposite direction to the rotation of the square drive.

Preparation for Fastening

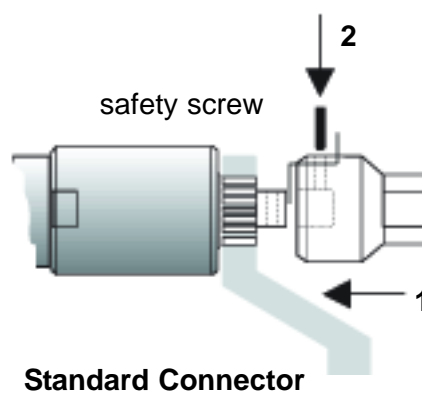
- Place Pneumatic Multiplier on flat surface
- Insert reaction device onto spline (8)
- Place standard socket onto square drive (7)



Preparation for Fastening(details)



Standard Socket



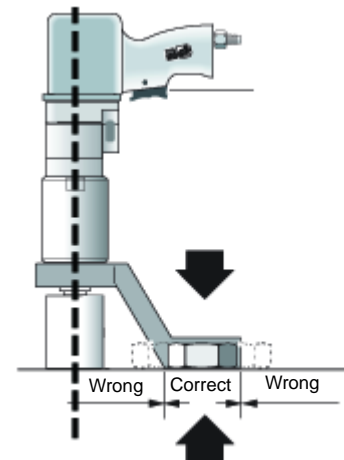
Standard Connector

2. Press top of the trigger for tightening.
3. Reaction forces decrease the further the reaction point is away from the center of the square drive. Reaction may be taken by the reaction bar resting against a solid projection, or by a socket fitting over the head of an adjacent fastener. Reaction forces work in the opposite direction to fastener rotation and would be, for example, at 2,000 lbf.ft.
Output 2000 lbs at 1 ft. radius
Output 4000 lbs at 6 in. radius
Output 6000 lbs at 4 in. radius



Note: Always take torque reaction as far away from the tool as possible to reduce excessive side loads.

Keep tool perpendicular to the fastener's axis.



Pneumatic Multipliers Operating Instructions

(Rev 2.1 4/10/17)

Continued: Using the Torque Multiplier for Tightening

4. Where it is necessary to use an extension drive between the output square drive of the tool and the socket, you must provide a balanced reaction. A double sided reaction bar with both sides taking equal load serves this purpose, otherwise the tool either forces itself sideways off the fastener or the gears are damaged by the leverage exerted to twist under these conditions.
5. It is also advisable to have a special reaction bar to cope with torque in excess of 2,000 lbf.ft when the reaction point of contact is less than 4 inches from the center of the square drive. Pieces may be welded onto the standard reaction bar to overcome this problem without detriment.



Note: The CLS & RCL tools are fitted with two speeds and it can be used in the fast gear modes to run down the nut. In this position the tool runs 3 times as fast at 1/3 of the normal torque output. When the tool stalls, release the trigger before the gears are shifted into the "Slow" gear mode to achieve the required torque. The motor will stall signaling final torque is achieved.

5. To remove the tool from the nut after tightening it is necessary to put the motor in reverse momentarily to unlock the reaction forces holding it in position.



Note: In the case of some tightening applications involving gaskets it is advisable to make several tightening cycles at a low torque figure, i.e. in fast position, to pull the joint together evenly before applying the full torque. This will avoid possible gasket damage and flange distortion. A lower air pressure can be used for this purpose if the tools is not fitted with a two-speed gear box (CLS or RCL).

Using the Torque Multiplier for loosening bolts.

1. Press bottom of the trigger for loosening.
2. Set air pressure to maximum permissible and use the tool in the "Slow" position if a two-speed gearbox is fitted (CLS & RCL). If the bolt does not loosen with the full torque applied, a sharp tap on the socket while it is under load will sometimes shock it free. Fast speed can then be engaged to the run the nut off 3 times more quickly.



Note: Although most of the Eliminator Torque Multipliers are protected against overloading by a square drive designed to shear if overloaded, it is dangerous to exceed the stated maximum air pressure and a larger capacity tool should be used if the nut fails to break free.

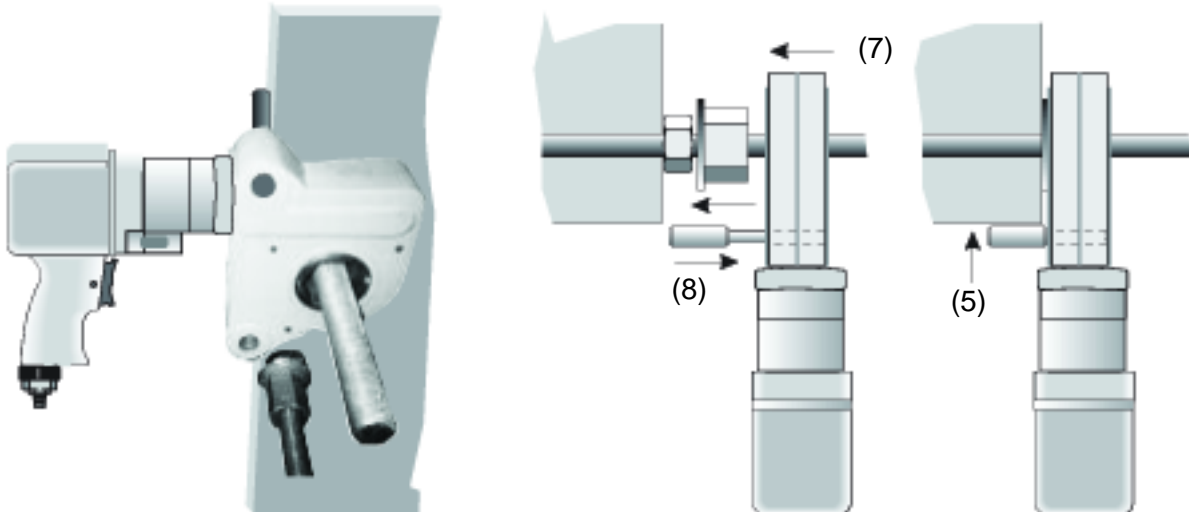


Be aware of rotating support arms or impact sockets. Keep clothing, hair, or any loose objects clear of moving parts. Always wear proper protective clothing such as glasses, ear protection and gloves during tool operation. Maximum decibel rating during operation = 78 dB(A)

Pneumatic Multipliers Operating Instructions

(Rev 2.1 4/10/17)

Mounting RCL (Radial Torque Multiplier)

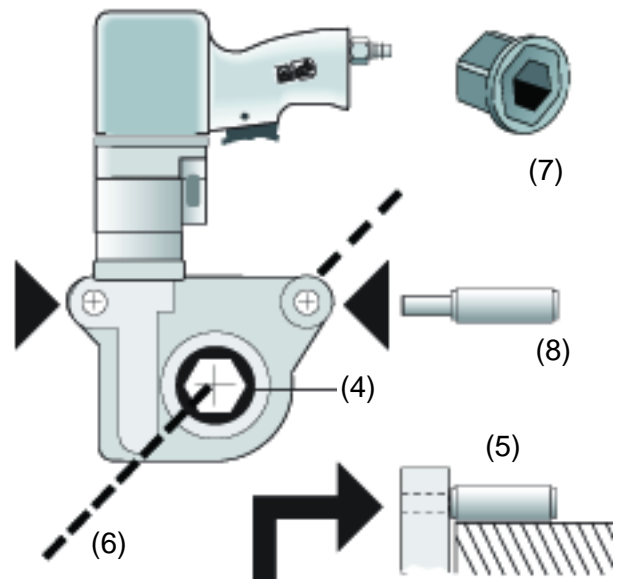
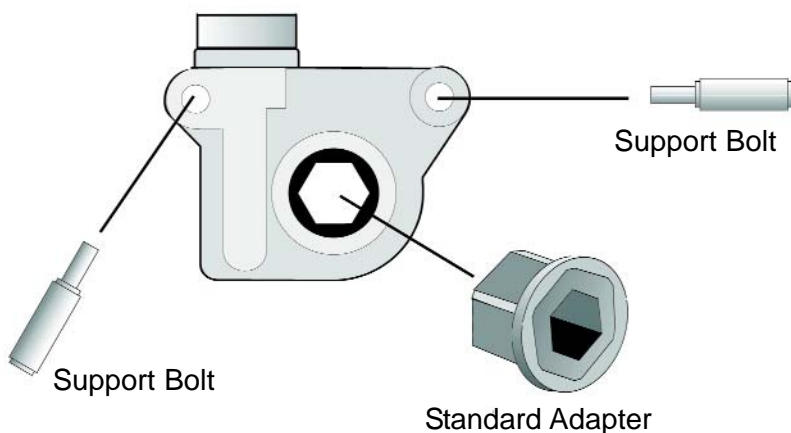


To avoid rupture of the equipment casing insert the Support Bolt(s) (8) completely into the designated holes.

Due to the radial drive of the RCL, the tool needs to be held perpendicular to the screw axis (6). For reduction to smaller spanner widths (4) the STA (Standard Adapter (7) is needed. To take up a reactive torque use the Support Bolt (8). A safe and stable counter mounting (5) is essential.



Do not place your hands between support bolt and exchanger plate by switching on the tool.





Pneumatic Multipliers Operating Instructions

(Rev 2.1 4/10/17)

Care & Maintenance

1. Keep gear unit as close to the fastener as possible.
2. Use close fitting sockets.
3. If the tool will not free a frozen fastener when the maximum safe air pressure is applied, a small lug welded to the side of the socket, which can be struck with a hammer while the maximum torque is being applied by the tool, will usually shock the fastener free.
4. Try to use a tool that has capacity to spare, in case the torque specification is increased.
5. Return the tool to Mountz, Inc. for service & repair.
6. Oiler of LCU should apply 2-3 drops per minute in constant operation.
7. Reaction arm material is 16Mn Cr5, if modification is needed.

Mountz Calibration & Repair Services

Mountz Inc. features an experienced calibration and repair staff. Our trained technicians can calibrate and repair most any tool. Mountz provides rapid service with quality that you can trust as we offer three state-of-the-art calibration lab and repair facilities that can calibrate up to 20,000 lbf.ft.

Since 1965, Mountz Inc. has proven its in-depth knowledge of torque and torque solutions by consistently developing, producing, marketing and servicing highly sophisticated, cutting-edge tools. We perform calibrations in accordance with ANSI/NCSL-Z540. Mountz is dedicated solely to the manufacturing, marketing and servicing of high quality torque tools.

Tool Service & Repair Capability

- Torque Wrench Calibration: Click Wrench, Dial Torque Wrench, Beam Wrench, Cam-Over & Break-Over Wrench
- Torque Screwdrivers: Dial, Micrometer, Preset & Adjustable
- Torque Analyzers/Sensors: All brands
- Electric Screwdrivers: All brands
- Air Tools: All brands
Impact Wrenches, Drills, Pulse Tools, Grinders, Percussive Tools, Air Screwdrivers, Nutrunners, DC Controlled Nutrunners
- Torque Multipliers: All brands

Mountz Torque Testers and Calibration Equipment

Torque tools go out of calibration with use. Calibrating a torque tool is a fine-tuning process of bringing the tool back within its tolerance. Torque testers can also be used for quick tools tests on the line or in the lab to determine whether torque tools are holding a given setting. A regular torque tool calibration and re-calibration guarantees the operator repeatable accuracy and adherence to international standards. Torque testing also ensures torque equipment is operating to peak performance and can highlight potential tooling problems before they arise perhaps due to tool wear or broken components.

Mountz Service Locations

Eastern Service Center

19051 Underwood Rd.
Foley, AL 36535
Phone: (251) 943-4125
Fax: (251) 943-4979

Western Service Center

1080 N.11th Street
San Jose, CA 95112
Phone: (408) 292-2214
Fax: (408) 292-2733

www.mountztorque.com
sales@mountztorque.com



Twitter: @mountztorque

Download a "Service Form" and include a copy when you send the tools in to be serviced.

Looking for fasteners?
www.mrmetric.com

**mr.
metric®**