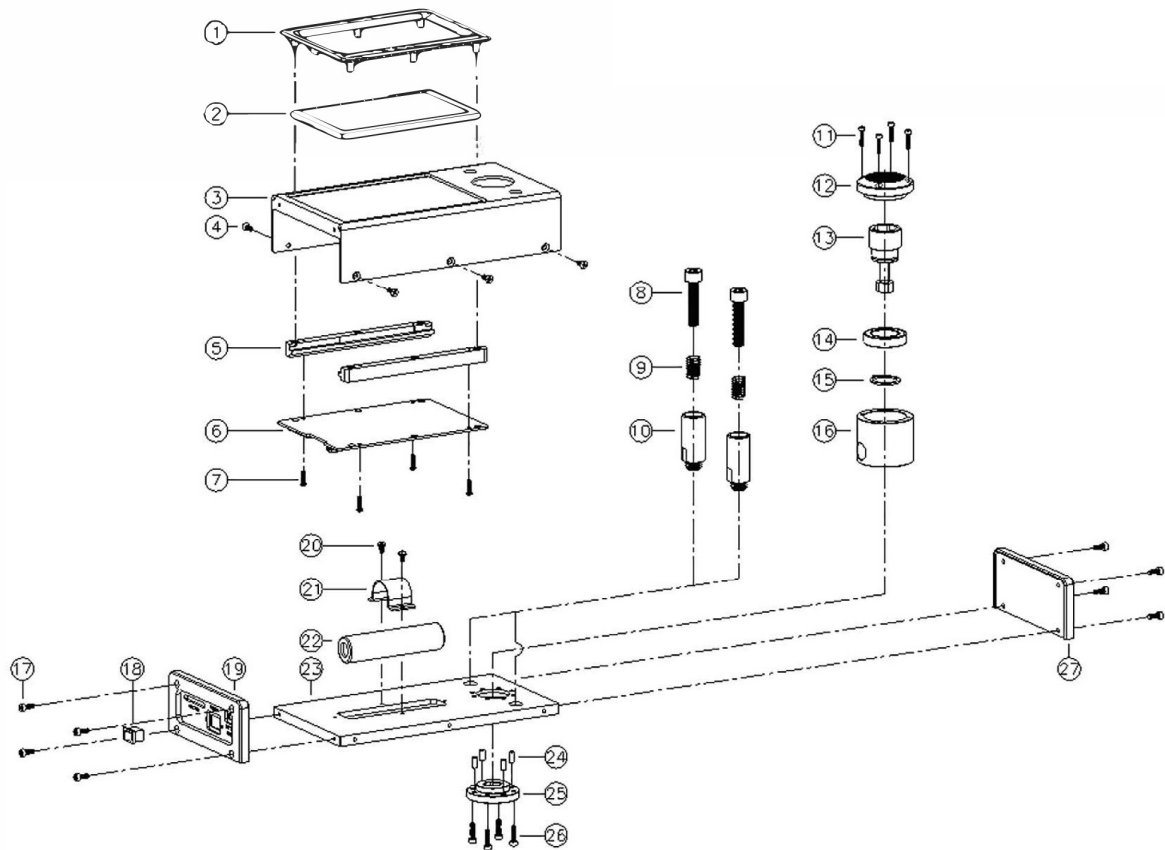


EZ-TorQ III 100i Parts List

March 10, 2021

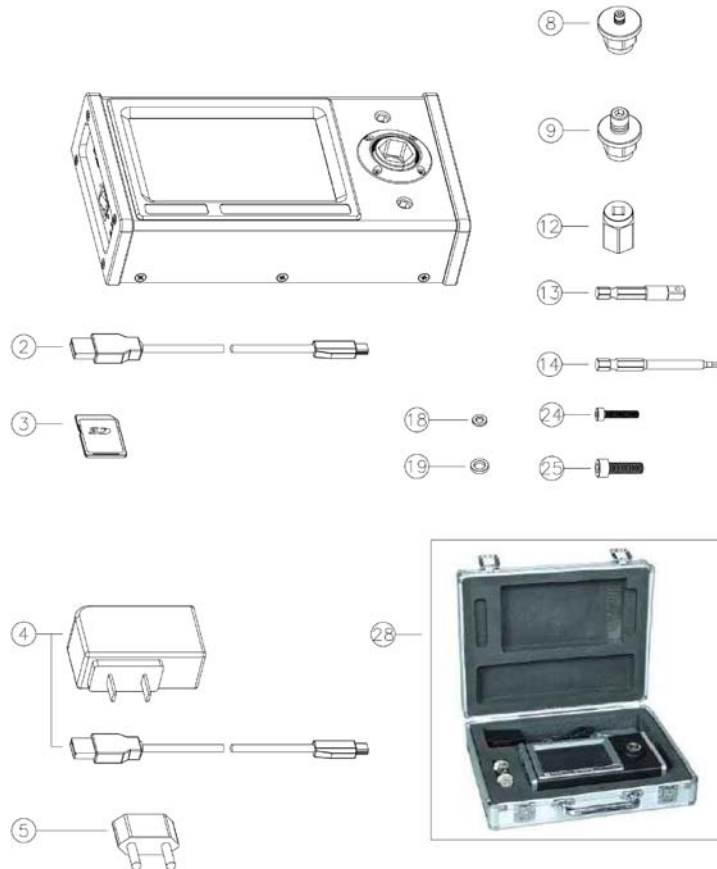


No.	Part Number	Description	Qty.	No.	Part Number	Description	Qty.
1.	70-500889	Bezel	1	16.	70-500853	Transducer Housing	1
2.	70-300501	LCD Assembly	1	17.	70-500277	Wrench Bolt	8
3.	70-500856	EZ-TorQ III Enclosure	1	18.	70-300504	Rocker Switch Ass'y	1
4.	70-500268	Screw	6	19.	70-500859	Left Cover	1
5.	70-500975	LCD Fixed Plate	2	20.	70-500477	Screw	2
6.	70-300217	Main PCB	1	21.	70-500857	Battery Holder	1
7.	70-500266	Screw	4	22.	13-500882	Battery Pack (Li-Ion)	1
8.	70-501487	Wrench Bolt	2	23.	70-500858	Base Plate	1
9.	70-500965	Compression Spring	2	24.	70-500264	Pin	2
10.	70-500855	Support, MTG Screw	2	25.	70-500854	Bottom Cover	1
11.	70-500274	Wrench Bolt	4	26.	70-500278	Wrench Bolt	4
12.	70-500852	Bearing Cover	1	27.	70-500860	Right Cover	1
13.	070032	Sensor for EZ-TorQ III 100i	1				
14.	70-500888	Ball Bearing	1				
15.	70-501488	Snap Ring	1				



EZ-TorQ III 100i Component Replacement Parts

March 10, 2021



No.	Part Number	Description	Qty
2	773072	Cable USB for EZ-TorQ III	1
3	773073	SD Card	1
4	310217	SMPS Adapter (12VDC) for EZ-TorQ III	1
5	310218	Plug Adapter (Europe)	1
12	600727	1/4 Female Sq. Dr. x 17mm Male Hex Adapter (for EZ-TorQ)	1
13	120143	Square Dr. Adapter (1/4 Sq. Dr x 1/4 Hex x 2" Oal) Pin Type	1
14	13-900278	BIT HEX1/4" x H3 x 70L	1
14	13-900279	BIT HEX1/4" x H5 x 70L	1
18	13-501000	WASHER M4	5
19	13-501001	WASHER M6	5
24	13-501414	BOLT M4x20L	5
25	13-501563	BOLT M6x25L	5
28	310220	Case (for EZ-TorQ III)	1