

1 Function

SJY-500 Electric Vertical Test Stand, applied in tension and compression test, is assembled with SN/SH/SP Series Push Pull Force Gauge. It owns good stability, wide application range and easy operation. Furthermore, it has the advantages of non-polar speed adjustment, manual or automatic operation, suitable for fields of rubber & plastic products, textile, construction, complex material, wires & cables, auto accessories, engine and scientific research, etc.

2 Specification

Stroke: 250mm
 Range: 50-250mm/min, Max load: 200N
 250-500 mm/min, Max load: 500N
 Maximum Gap: 315 mm
 Work Voltage: Single-phase 220V
 Rate Current: 1.5 A
 Fuse of Main Circuit: 3 A
 Fuse of Controlling Circuit: 0.5 A
 Working Temperature: 20±10°C
 Transport Temperature: -27°C~+70°C
 Relative Humidity: 15%~80% RH

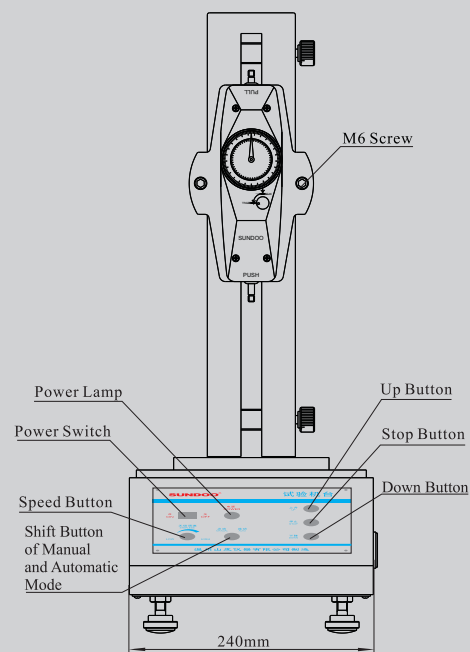
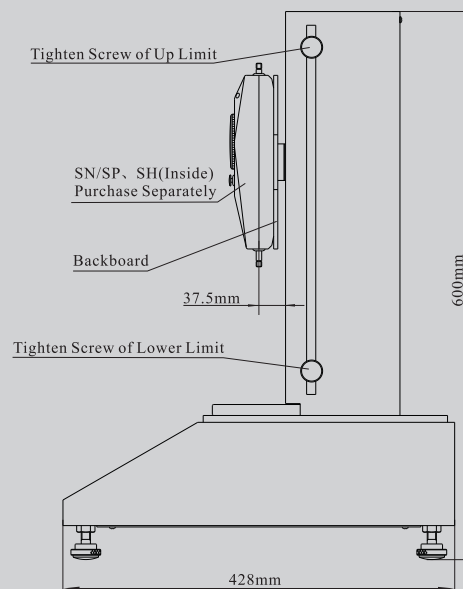
3 Maintenance

1. The rated load of this test stand is 500N, please do not use it with exceeding load, which may destroy the machine, or cause hurt.
2. Handle lightly during use and moving.
3. Clean dirt and dust of force gauge with soft cloth. After dipping cloth in the neutral detergent water, squeeze out water, and clean dirt. Do not use volatile chemical liquid to clean the gauge, such as benzene, thinner, alcohol, etc;
4. Please keep the environment clean and prevent liquid or metal scraps from entering the engine box, otherwise electric shock may happen and driving components may be damaged.

5. Please pull out power connector, and make the stand away from dust and moisture if it is not used.

6. Do not tear down, repair, or update the machine by yourself, which may cause permanent trouble.

4 Structure

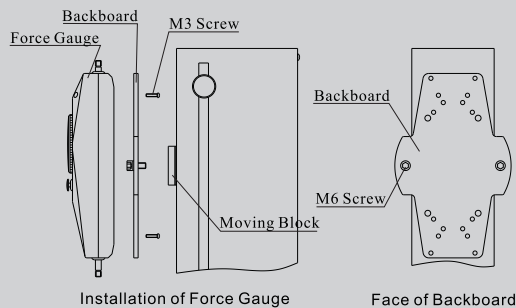


5

Installation and Operation

Installation of Force Gauge

- ① Loosen the M6 screws at two side of up backboard of moving block by M6 spanner, and take the backboard off.
- ② When installing SN Dial Force Gauge, take off 4 pieces of M3x8 screws on back cover of force gauge, fix the force gauge on backboard by M3x14 screws.
- ③ Fix the backboard with force gauge on test stand by M6 screws, and tighten it; please note push and pull direction of SN Dial Force Gauge.



Examine before Operation

- A. Turn on the power switch, then the power lamp will be light;
- B. Operating the stand, and check whether there is abnormal sound.

Manual Test

- A. Choose the Manual mode by pressing Shift Button of Manual and Automatic Mode;
- B. Press the up and down button all along, the stand begins to work;
- C. Loosen the button, the stand will stop work.

Automatic Test

- A. Choose the Automatic mode by pressing Shift Button of Manual and Automatic Mode;
- B. Pressing the Up or Down button once, the stand begins to work;
- C. Press the "Stop" button, the test stand will stop work.

Adjustment of Test Speed

The test speed is adjustable before or during the test. Turn the Speed knob to adjust speed to what you required.

6

Packing List

Item	Description	Quantity
1	SJY-500 Main Body	1
2	M6 Inner Hexagon Spanner	1
3	220V Power Wire	1
4	Screw Pillar of M10	4
5	Manual	1
6	Qualification Certificate	1

MANUFACTURER: WENZHOU

SUNDOO INSTRUMENTS CO.,LTD

Add: Building E, No.10 High-tech Industrial Zone, Wenzhou, China

Zip Code: 325013

Tel: +86 577 88609905

Fax: +86 577 88390155

Http://www.sundoo.com

E-mail: export@sundoo.com