

CONTINUATION

Dear User,

We're indebted for your patronage to purchase SPV Series Hydraulic Test Stand. Before using the instrument, please carefully read the manual to use it rightly. Please keep the manual and the warranty well to give you help when you can't learn it or there is something wrong with it.

Because of improvement or other changes, description of manual may differ from practical situation. Our company will reserve the right of correct at any moment, it is difficult to notify the corrected place one by one.

Copyright of manual belongs to Wenzhou Sundoo Instruments Co., Ltd. Any unit or individual can't copy or plagiarize the part or full content of manual without written consent of Wenzhou Sundoo Instruments Co., Ltd.

制造商：温州山度仪器有限公司

MANUFACTURER: WENZHOU SUNDOO INSTRUMENTS CO., LTD

地址：温州高新技术产业园区10区E幢

Add: Building E, No.10 High-tech Industrial Zone Wenzhou China

Zip: 325013

Tel: +86 577 88609905 Fax: +86 577 88390155

Http://www.sundoo.com E-mail: export@sundoo.com

Ver: 1.02 Con: 20111217

SPV SERIES USER'S MANUAL

SPV系列
使用说明书

手动液压机台

HYDRAULIC TEST STAND

For
SPV-50K
SPV-200K
SPV-500K

温州山度仪器有限公司
WENZHOU SUNDOO INSTRUMENTS CO., LTD

CONTENTS

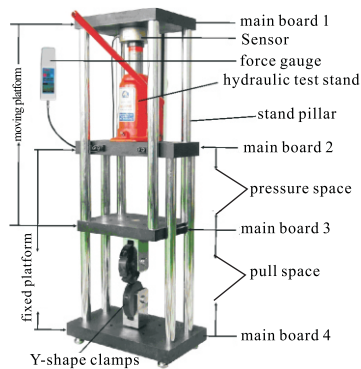
Introduction	1
Construction	1
Working Principle	2
Specification	2
Installation Methods	3
Installation Diagram	3
Operation	4
Daily Maintain	4
Packing List(SPV-50K)	5
Packing List(SPV-200K)	5
Packing List(SPV-500K)	6

Introduction

This Test Stand takes manual hydraulic press as drive to achieve the tested material's tensile, yield and correlation mechanics. The structure is simple, safety, drive reliable, not serious requirement to the operating worker, it also can collocate other clamps to achieve test for different object; It is widely applied in architecture, metal, dynamic mechanism, scientific field's tensile, compression and fracture test. The safety structure, simple operation, and high price ratio make it easy to substitute the existing medium and small sized Test Stand.

Construction

Show as following chart: main board 1 and main board 3 connect moving test stand by stand pillar, main board 2 and main board 4 connect to fixed test stand. The two test stand cross up and down to be one set of test stand, put power supply and measurement set (hydraulic press, sensor, digital force gauge) between the moving test stand's upper board and fixed test stand's upper board, so form a load space for testing object on upper plane of fixed test stand's upper board and upper plane of moving test stand's down board; form a space for testing object on down plane of moving test stand's down board and upper plane of fixed test stand's upper board. Two working space collocate correlative clamps to test different kinds of object.



Note: Clamps, force gauge, sensor, hydraulic are selectable parts.

Packing list for SPV-500K Manual Hydraulic Test Stand

Number	Description	Quantity
1	SPV-500K Manual Hydraulic Test Stand	1
2	50 Ton Jack (with handle)	1
3	Y Type Clamps	2
4	Jack Connector	1
5	M8 × 65 Hexagonal Screw	4
6	M12 × 45 Hexagonal Screw	3
7	M12 × 85 Hexagonal Screw	4
8	Rubber Gasket	3
9	Pressure Block	4
10	Manual	1
11	Qualification Card	1

Packing list for SPV-50K Manual Hydraulic Test Stand

Number	Description	Quantity
1	SPV-50K Manual Hydraulic Test Stand	1
2	6 Ton Jack(with handle)	1
3	Y Type Clamps	2
4	Jack Connector	1
5	M6×25 Hexagonal Screw	3
6	M8×35 Hexagonal Screw	3
7	M12×35 Hexagonal Screw	1
8	Rubber Gasket	3
9	D12 Flat Gasket	1
10	Pressure Block	3
11	Manual	1
12	Qualification Card	1

Packing list for SPV-200K Manual Hydraulic Test Stand

Number	Description	Quantity
1	SPV-200K Manual Hydraulic Test Stand	1
2	20 Ton Jack (with handle)	1
3	Y Type Clamps	2
4	Jack Connector	1
5	M8×25 Hexagonal Screw	4
6	M10 x 60 Hexagonal Screw	4
7	M12×45 Hexagonal Screw	3
8	M12 x 60 Hexagonal Screw	1
9	Rubber Gasket	3
10	Pressure Block	4
11	Manual	1
12	Qualification Card	1

Working Principle

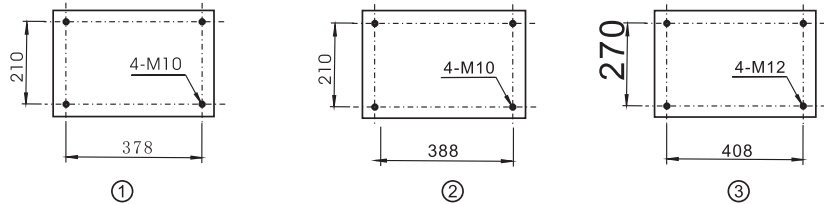
This test stand transforms the hydraulic energy of manual hydraulic test stand to mechanical energy to drive board 1 up, so push the whole test stand up; Change the space between board 3 and board 2,4, achieve tensile, compressive and other mechanics test for the object in the two working platform. This test stand uses the unidirectional load of manual hydraulic test stand, to achieve draw,press bidirectional test.

Specification

Model	SPV-50K		SPV-200K		SPV-500K
Dimension	450×260×1190		470×260×1320		490×338×1480
Capacity (KN)	50		200		500
Test travel (mm)	120		140		180
Testing space (no fitting clamps)(mm)	SH-10K SH-20K	Compressive 330	SH-100K	Compressive 166	Compressive 350
		Tensile 329		Tensile 480	
	SH-50K	Compressive 290	SH-200K	Compressive 314	Tensile 380
		Tensile 360		Tensile 333	
Weight (kg)	About 103		About 200		About 376

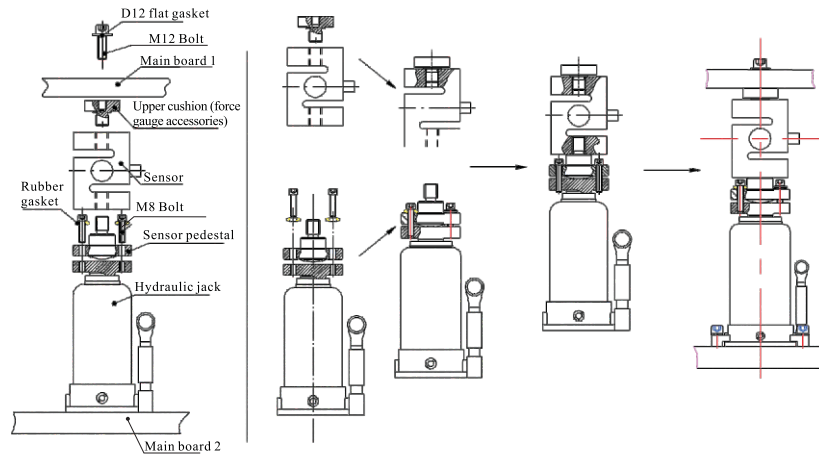
Installation methods

1. Put this test stand on the floor and make sure level it. Install the test stand may accordance with the practical requirement .Using the screw of the baseboard to make the test stand more fixedness. Installation please consult the installation dimension :
2. Sensor Installation : take the collocated parts of the test stand and assemble as following diagram. Please install sensor ,test stand ,hydraulic test stand in center.

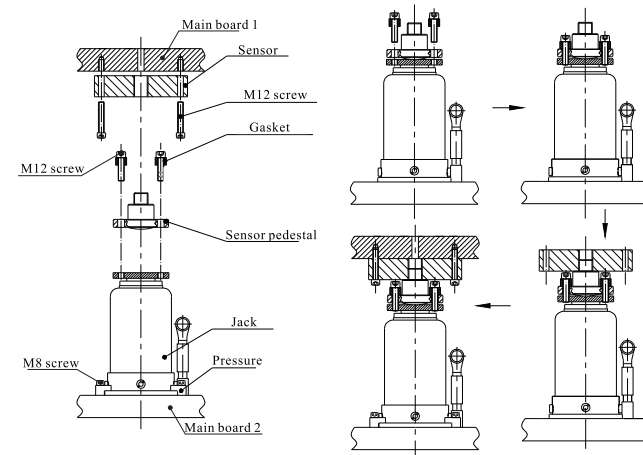


- ① SPV-50K Bottom Angle Bolt Installation
- ② SPV-200K Bottom Angle Bolt Installation
- ③ SPV-500K Bottom Angle Bolt Installation

Installation diagram



SPV-50K Test Stand Installation



SPV-200K Test Stand Installation

Operation

This test stand can work in tensile, compressive two directional test. Put or install it on the suitable position of worktable accordance with the sample specialty .Using the jack to achieve high strength and large load test. Do not apply damaged or warped clamps. When apply the damaged or warped clamps that maybe fall off or fracture, the tested object maybe fall off. So should be careful ,keep from hurting the body. Do not apply it beyond the serviceable range of push pull gauge sensor's rating load, or if the sensor would be damaged, too much load maybe rupture the sensor and result in accident .

Daily Maintain

1. Make sure the test stand and all the parts not be loosen before using the instrument.
2. Please do not apply it beyond the capacity ,this test stand rating load is 50/200KN.
3. Pay attention to daily maintain, keep the test stand and all the parts clean .
4. When the test stand malfunction please contact the manufacturer or original sales department in time (please do not disassemble or repair yourself without the consent of our company .)