

QUALITY IN MULTISWITCHES MADE IN EUROPE



CASCADABLE 9 WIRE MULTISWITCHES RANGE (REF. 71424x and 71460x)

- QUAD Compatible
- Star or cascade configuration
- Zamak Chassis
- Reduced consumption



QUAD
COMPATIBLE



CLASS A



ECO MODE



DESCRIPTION

Range of 9 input multiswitches available in 8,12,16,24 and 32 user outputs. It has 9 outputs which allow us to expand the number of users by cascading two or more units. Using a switch, we can load the unit (standalone) or not (cascade configurations).

The range includes standard multiswitches and **QUAD compatible** versions.

A 9x line amplifier (8+1 terrestrial) is included in this range, with 25dB average gain for Satellite inputs and 26 dB gain for Terrestrial with DC pass.



MAIN FEATURES

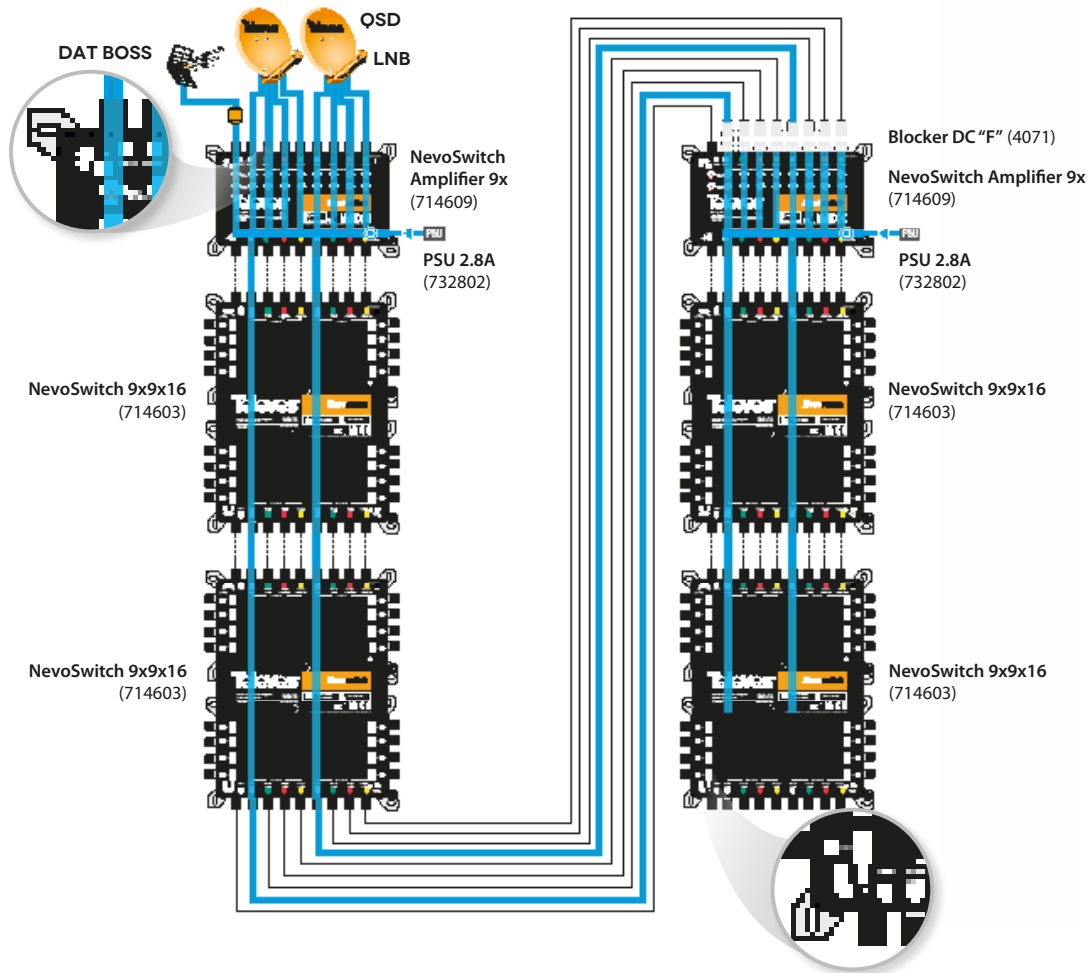
- **Small size and compact design:** make the most of space to accommodate more TV subscribers.
- **Independent amplification** of every feed: 8 SAT + 1 terrestrial.
- **Independent output level** adjustment, except QUAD Compatible units.
- **Adjustable gain and equalization.**
- **Multiple powering options:** Jack, VLow, Terrestrial Input/Output and user outputs.
- **Cascable and Standalone configuration:** one multiswitch, many configurations.

HIGHLIGHTS

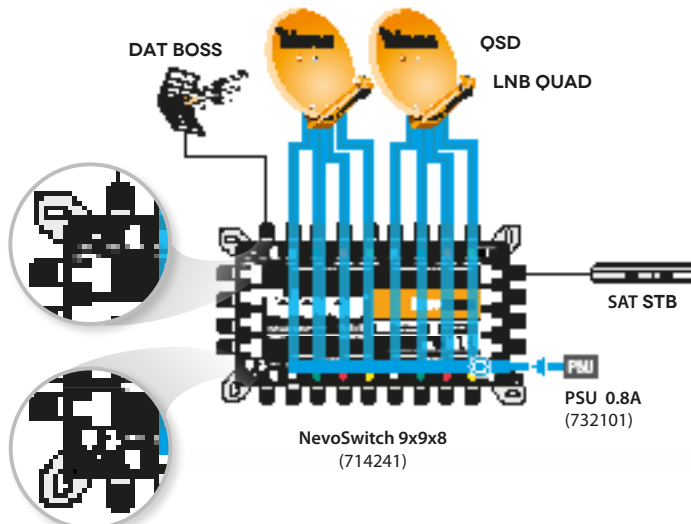
- Chassis made of **zamak**: radiation immune.
- Suitable for **star/cascade** system configurations.
- **ECO mode**, thanks to the ECO system, the consumption decreases as the number of users is reduced.
- **Selectable IF gain:** +10dB for each group of 8 users to balance the output signals.

REF.	DESCRIPTION	EAN 13
714241	NEVOSWITCH 9x9x8 "F" TERMINAL/CASCADE QUAD	8424450190142
714242	NEVOSWITCH 9x9x12 "F" TERMINAL/CASCADE QUAD	8424450190159
714243	NEVOSWITCH 9x9x16 "F" TERMINAL/CASCADE QUAD	8424450190166
714244	NEVOSWITCH 9x9x24 "F" TERMINAL/CASCADE QUAD	8424450190173
714245	NEVOSWITCH 9x9x32 "F" TERMINAL/CASCADE QUAD	8424450190180
714601	NEVOSWITCH 9x9x8 "F" TERMINAL/CASCADE	8424450173077
714602	NEVOSWITCH 9x9x12 "F" TERMINAL/CASCADE	8424450173084
714603	NEVOSWITCH 9x9x16 "F" TERMINAL/CASCADE	8424450173091
714604	NEVOSWITCH 9x9x24 "F" TERMINAL/CASCADE	8424450173107
714605	NEVOSWITCH 9x9x32 "F" TERMINAL/CASCADE	8424450173114
714609	NEVOSWITCH AMPLIFIER 9x9 "F" G4/31/27 Vs105	8424450173503
732101	NEVOSWITCH PSU 12V-0.8A - 230Vac	8424450173909
732210	NEVOSWITCH PSU 12V-1.5A - 110/230Vac UK	8424450175163
593203	PSU 12V-2A (ALL PLUGS-UL)	8424450173671
732802	NEVOSWITCH PSU 12.5V-2,8A	8424450182956

CASCADE CONFIGURATION



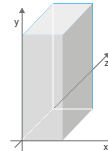
SIMPLE CONFIGURATION



CASCADABLE 9 WIRE MULTISWITCHES RANGE

			714241	714242	714243	714244	714245	714601	714602	714603	714604	714605	
Type			QUAD										
			9x9x8	9x9x12	9x9x16	9x9x24	9x9x32	9x9x8	9x9x12	9x9x16	9x9x24	9x9x32	
Máx. Input Level	dBμV	SAT	112										
		RF	90										
Through Losses	dB	SAT	2...5	3,5...10	6...15	8...18	2...5	3,5...10	6...15	8...18			
		RF	2	4	6	8	2	4	6	8			
		RET	3	6	9	12	3	6	9	12			
Tap Losses 1..8 / 9..16 / 17..24 / 25..32 ²	dB (tip.)	SAT ¹	0/-/-/-	0/4/-/-	0/4/8/-	0/4/8/12	0/-/-/-	0/4/-/-	0/4/8/-	0/4/8/12			
		RF	4/-/-/-	4/6/-/-	4/6/8/-	4/6/8/10	4/-/-/-	4/6/-/-	4/6/8/-	4/6/8/10			
		RET	34/-/-/-	34/37/-/-	34/37/40/-	34/37/40/43	34/-/-/-	34/37/-/-	34/37/40/-	34/37/40/43			
Powering	Vdc	PSU Lines	12										
		Receiver	12-18										
Isolation	dB	H/V	>30										
		Users	>25										
DC Pass			In-Out / Out-In										
DC Consumption	mA	Low Gain ³	65	135	155	245	335	40	85	85	130	170	
		High Gain ³	125	195	215	305	395	85	155	180	265	355	
		Receptor	35										
GENERAL													
Protection Index	IP	20											
Temperature Range	°C	-5...+45											
Weight	g	700	1500	2300	3100	700	1500	2300	3100				
Dimensions (xyz)	mm	208x120x30	208x253x30	208x386x30	208x519x30	208x120x30	208x253x30	208x519x30	208x519x30				

			714609
Output Level	dBμV	SAT	110
		RF	105
Gain	dB	SAT	25
		RF	27
		Regulation	10
		Slope	0...7
Isolation	dB	> 25	
Powering	Vdc	12	
DC Pass			In-Out / Out-In
DC Consumption	mA	270	
GENERAL			
Temperature Range	°C	-5...+45	
Weight	g	700	
Dimensions (xyz)	mm	208 x 120 x 30	



- 1 LG - 10dB.
 - 2 0 dB @ 2400 MHz; -5 dB @ 950 MHz.
-
- 3 If the configuration switch is activated in terminal mode: +45mA.



A QUAD Compatible multiswitch is able to feed every satellite input with the accurate voltage (12V or 17V) and tone (22KHz) to use it with a LNB QUAD, so there is no need to identify the satellite cables between the LNB and the multiswitch.